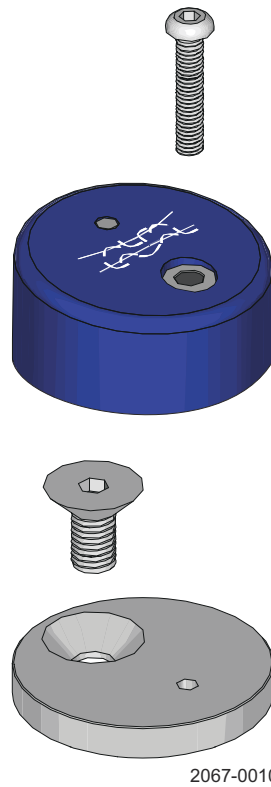


Addendum — Alfa Laval CM

Installation — DuraCirc Circumferential Piston Pumps



Lit. Code 200005426-1-EN-GB
Manual No. 100003842

Published by
Alfa Laval Kolding A/S
Albuen 31
DK-6000 Kolding, Denmark
+45 79 32 22 00

The original instructions are in English

© Alfa Laval Corporate AB 2021-07

This document and its contents are subject to copyrights and other intellectual property rights owned by Alfa Laval Corporate AB. No part of this document may be copied, re-produced or transmitted in any form or by any means, or for any purpose, without Alfa Laval Corporate AB's prior express written permission. Information and services provided in this document are made as a benefit and service to the user, and no representations or warranties are made about the accuracy or suitability of this information and these services for any purpose. All rights are reserved.

Contents

1	General Installation Guidelines.....	5
1.1	DuraCirc guidelines.....	5
1.2	Hygeinic recommendations.....	6
1.3	Adapter details.....	6

1 General Installation Guidelines

! NOTE

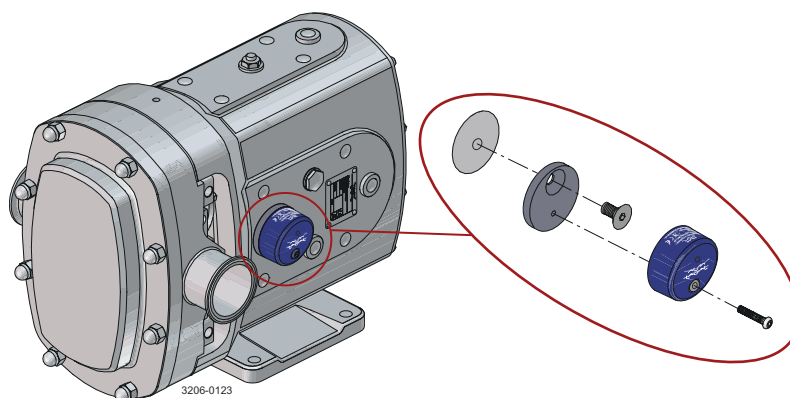
When mounting the CM, it is important to achieve a solid mechanical connection between the equipment and the CM adapter plate, ideally mounted to a flat surface. The CM can be mounted on surfaces up to 80° C (176° F).

1.1 DuraCirc guidelines

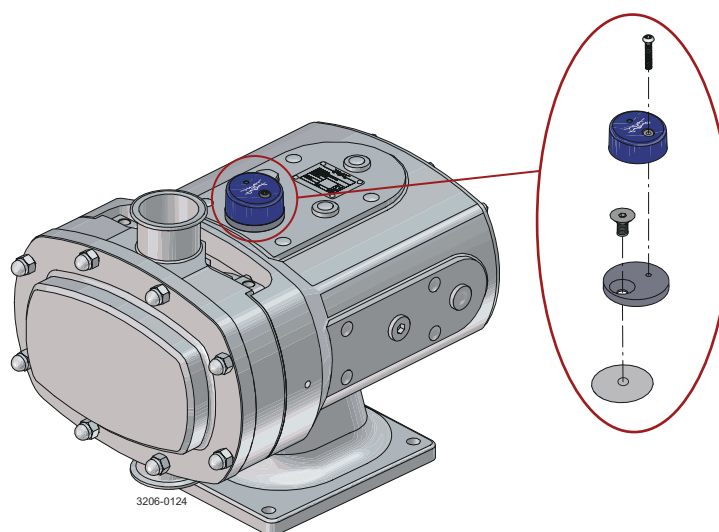
The DuraCirc range does not have a dedicated M6 tapping to mount the CM and as such an adapter kit is required to utilize existing available screw threads on the gearbox.

Pump type	Adapter type	Tool Hex key Adapter screw	Tool Hex key CM screw	Max torque [Adapter screw / CM screw]
DuraCirc	1	5mm	4mm	20 Nm / 10 Nm 15 ft-lb / 7.5 ft-lb

Horizontal ported pump guidelines



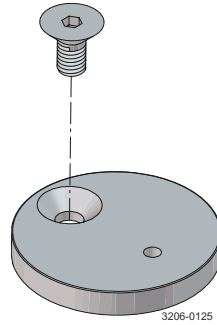
Vertical ported pump guidelines



1.2 Hygienic recommendations

For a hygienic installation, use an FDA approved sealant between the equipment and the adapter plate, and between the CM and the adapter plate.

1.3 Adapter details



Adapter Kit [Type / Article No.]*	Adapter Screw Flat SHCS	Adapter Dimensions [Ø/H]	Adapter Weight
Type 1) 8010005350	M8 x 16	58mm / 8mm 2.3 in / 0.3 in	0.16 kg 0.35 lbs

* All adapters are made of stainless steel of type EN 1.4301 (AISI 304).

* The CM is included.