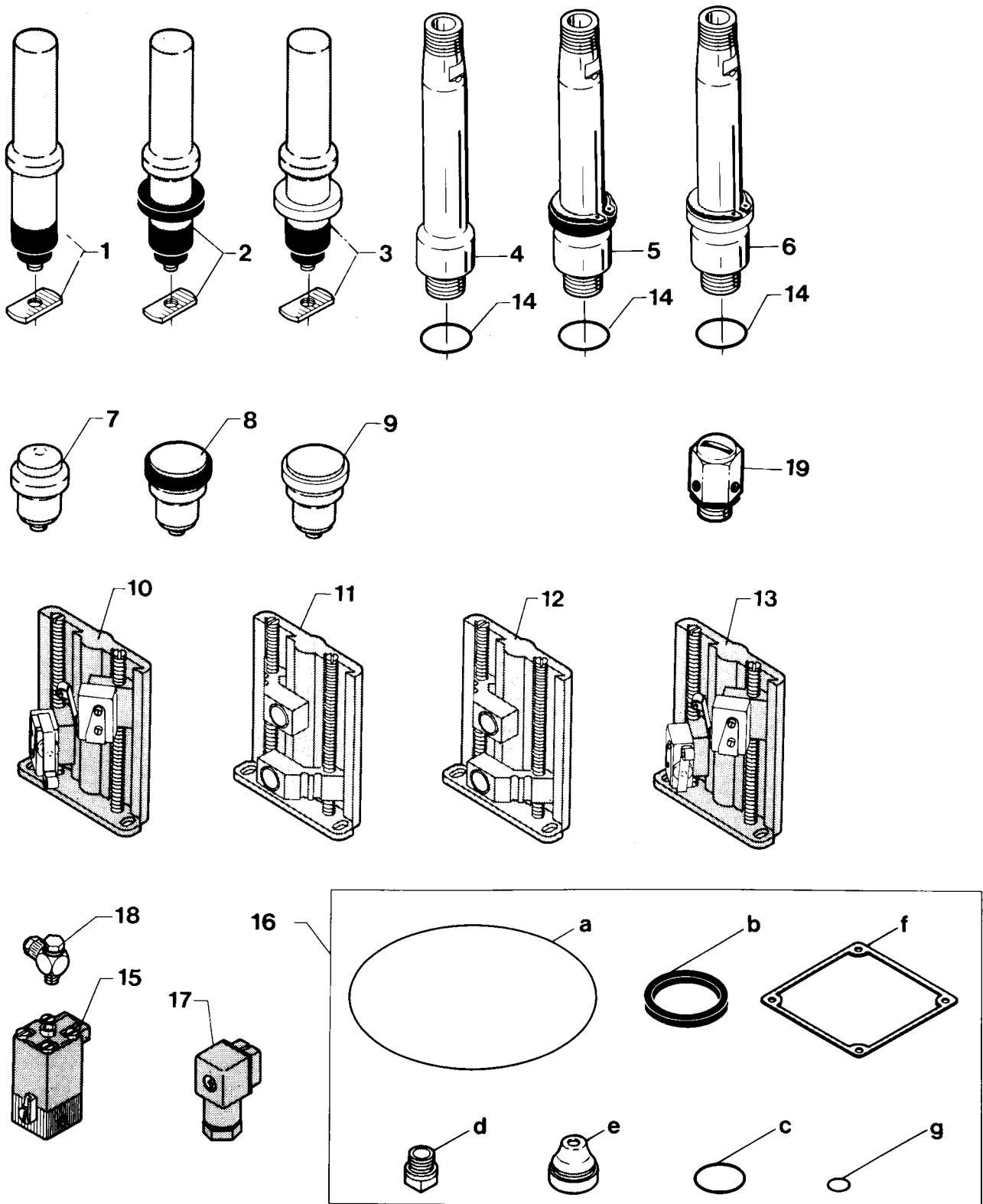


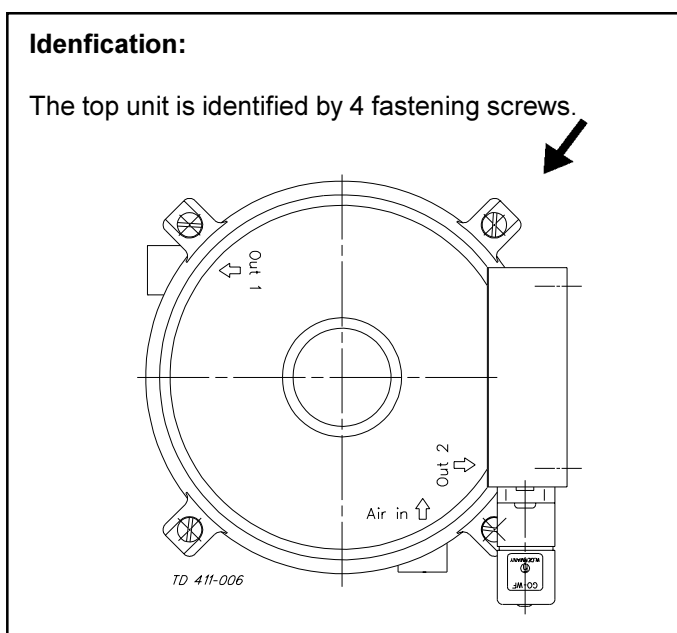
Not manufactured anymore



Not manufactured anymore

**SMP-SC
Spillage-free
SMP-TO
5-6" SRC/
ARC/SMP-BC/
SMP-SC**

Pos.	Qty.	Denomination	SRC ARC SMP-BC SMP-SC	SMP-EC	LKLA-T	SMP-SC SMP-EC LKLA-T
1	1	Extension set for micro switches	9612-3065-03			
2	1	Extension set for Hall proximity switches	9612-3065-01			
3	1	Extension set for Inductive proximity switches	9612-3065-02			
4	1	Extension for micro switches		9612-0850-01		
5	1	Extension for Hall proximity switches		9612-0851-01		
6	1	Extension for Inductive proximity switches		9612-0851-02		
7	1	Extension for micro switches			9612-1938-03	9612-4117-03
8	1	Extension for Hall proximity switches			9612-1938-01	9612-4117-02
9	1	Extension for Inductive proximity switches			9612-1938-02	9612-4117-01
10	1	Sensor unit with micro switches (two NO)	9612-3399-06		9612-3399-06	9612-3399-06
11	1	Sensor unit with hall proximity switches (blue)	9612-3399-02	9612-3399-02	9612-3399-02	9612-3399-02
12	1	Sensor unit with inductive proximity switches (red)	9612-3399-05	9612-3399-05	9612-3399-05	9612-3399-05
13	1	Sensor unit with micro switches (one NO, one NC)		9612-3399-07		
14	1	O-ring, EPDM		223403-80		
15	1	Solenoid valve 24 V DC	9611-99-2809	9611-99-2809	9611-99-2809	9611-99-2809
	1	Solenoid valve 24 V AC	9611-99-2810	9611-99-2810	9611-99-2810	9611-99-2810
	1	Solenoid valve 48 V AC	9611-99-2811	9611-99-2811	9611-99-2811	9611-99-2811
	1	Solenoid valve 110 V AC	9611-99-2812	9611-99-2812	9611-99-2812	9611-99-2812
16	1	Fittings and seals set	9611-92-0182	9611-92-0182	9611-92-0182	9611-92-0182
a	1	O-ring, NBR	9611-99-2704	9611-99-2704	9611-99-2704	9611-99-2704
b	1	Quad-ring, NBR	9611-99-2656	9611-99-2656	9611-99-2656	9611-99-2656
c	1	O-ring, NBR	9611-99-2129	9611-99-2129	9611-99-2129	9611-99-2129
d	1	Plug R 1/8"	9611-99-1221	9611-99-1221	9611-99-1221	9611-99-1221
e	1	Seal for air tube	9611-99-2121	9611-99-2121	9611-99-2121	9611-99-2121
f	1	Seal for LKT-N box	9612-0854-01	9612-0854-01	9612-0854-01	9612-0854-01
g	1	Seal for screw	9611-99-2775	9611-99-2775	9611-99-2775	9611-99-2775
17	1	Cable connector, female	9611-99-2335	9611-99-2335	9611-99-2335	9611-99-2335
18	1	Banjo connection	9611-99-1739	9611-99-1739	9611-99-1739	9611-99-1739
19	1	Safety valve	9611-99-2842	9611-99-2842	9611-99-2842	9611-99-2842

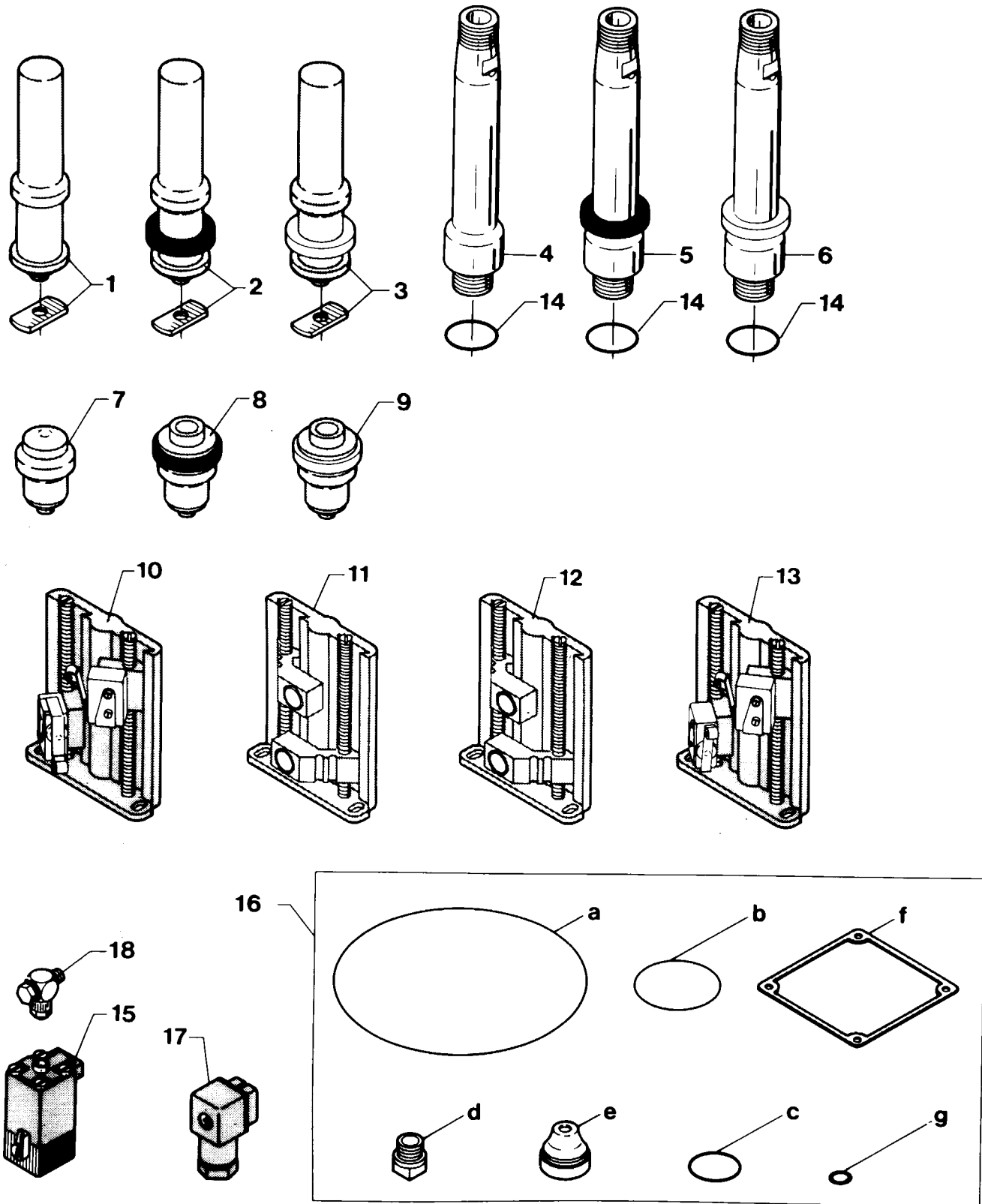


Period 9304-

Reg. 2.21.1	9805
Intro.	9009

Top Unit
type LKT-N

Not manufactured anymore



Reg. 2.21.2	9805
Intro.	9304

Pos.	Qty.	Denomination	SRC			
			ARC	SMP-SC	SMP-EC	LKLA-T
1	1	Extension set for micro switches	9611-92-0050			
2	1	Extension set for Hall proximity switches	9611-92-0051			
3	1	Extension set for Inductive proximity switches	9611-92-0052			
4	1	Extension for micro switches			9612-0850-01	
5	1	Extension for Hall proximity switches			9612-0851-01	
6	1	Extension for Inductive proximity switches			9612-0851-02	
7	1	Extension for micro switches				9612-1938-03
8	1	Extension for Hall proximity switches				9612-1938-01
9	1	Extension for Inductive proximity switches				9612-1938-02
10	1	Sensor unit with micro switches (two NO) (Period 9304-)	9612-3399-06			9612-3399-06
	1	Sensor unit with micro switches (two NO) (Period 9010-9304)	9612-0852-06			9612-0852-06
11	1	Sensor unit with hall proximity switches (blue) (Period 9304-)	9612-3399-02	9612-3399-02		9612-3399-02
	1	Sensor unit with hall proximity switches (blue) (Period 9010-9304)	9612-0852-02	9612-0852-02		9612-0852-02
12	1	Sensor unit with inductive proximity switches (red) (Period 9304-)	9612-3399-05	9612-3399-05		9612-3399-05
	1	Sensor unit with inductive proximity switches (red) (Period 9010-9304)	9612-0852-05	9612-0852-05		9612-0852-05
13	1	Sensor unit with micro switches (one NO, one NC) (Period 9304-)		9612-3399-07		
	1	Sensor unit with micro switches (one NO, one NC) (Period 9010-9304)				9612-0852-07
14	1	O-ring, EPDM		223403-80		
15	1	Solenoid valve 24 V DC	9611-99-2809	9611-99-2809		9611-99-2809
	1	Solenoid valve 24 V AC	9611-99-2810	9611-99-2810		9611-99-2810
	1	Solenoid valve 48 V AC	9611-99-2811	9611-99-2811		9611-99-2811
	1	Solenoid valve 110 V AC	9611-99-2812	9611-99-2812		9611-99-2812
16	1	Fittings and seals set	9611-92-0053	9611-92-0053		9611-92-0053
a	1	O-ring, NBR	9611-99-2604	9611-99-2604		9611-99-2604
b	1	O-ring, NBR	9611-99-1749	9611-99-1749		9611-99-1749
c	1	O-ring, NBR	9611-99-2129	9611-99-2129		9611-99-2129
d	1	Plug R 1/8"	9611-99-1221	9611-99-1221		9611-99-1221
e	1	Seal for air tube	9611-99-2121	9611-99-2121		9611-99-2121
f	1	Seal for LKT-N box	9612-0854-01	9612-0854-01		9612-0854-01
g	1	Seal for screw	9611-99-2775	9611-99-2775		9611-99-2775
17	1	Cable connector, female	9611-99-2335	9611-99-2335		9611-99-2335
18	1	Banjo connection	9611-99-1739	9611-99-1739		9611-99-1739

Not manufactured anymore

CAUTION: This Spare parts list is only valid for the old version.

