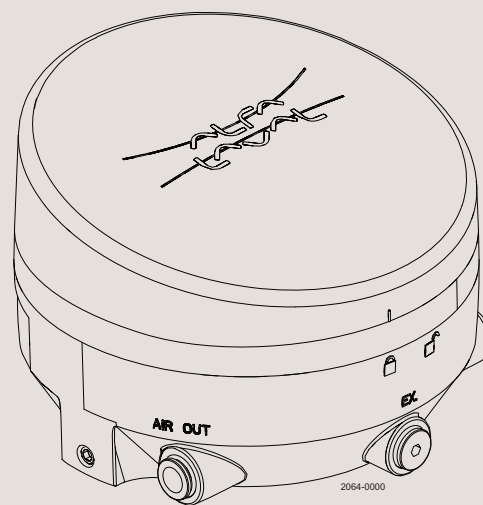




Spare Parts

ThinkTop® D30



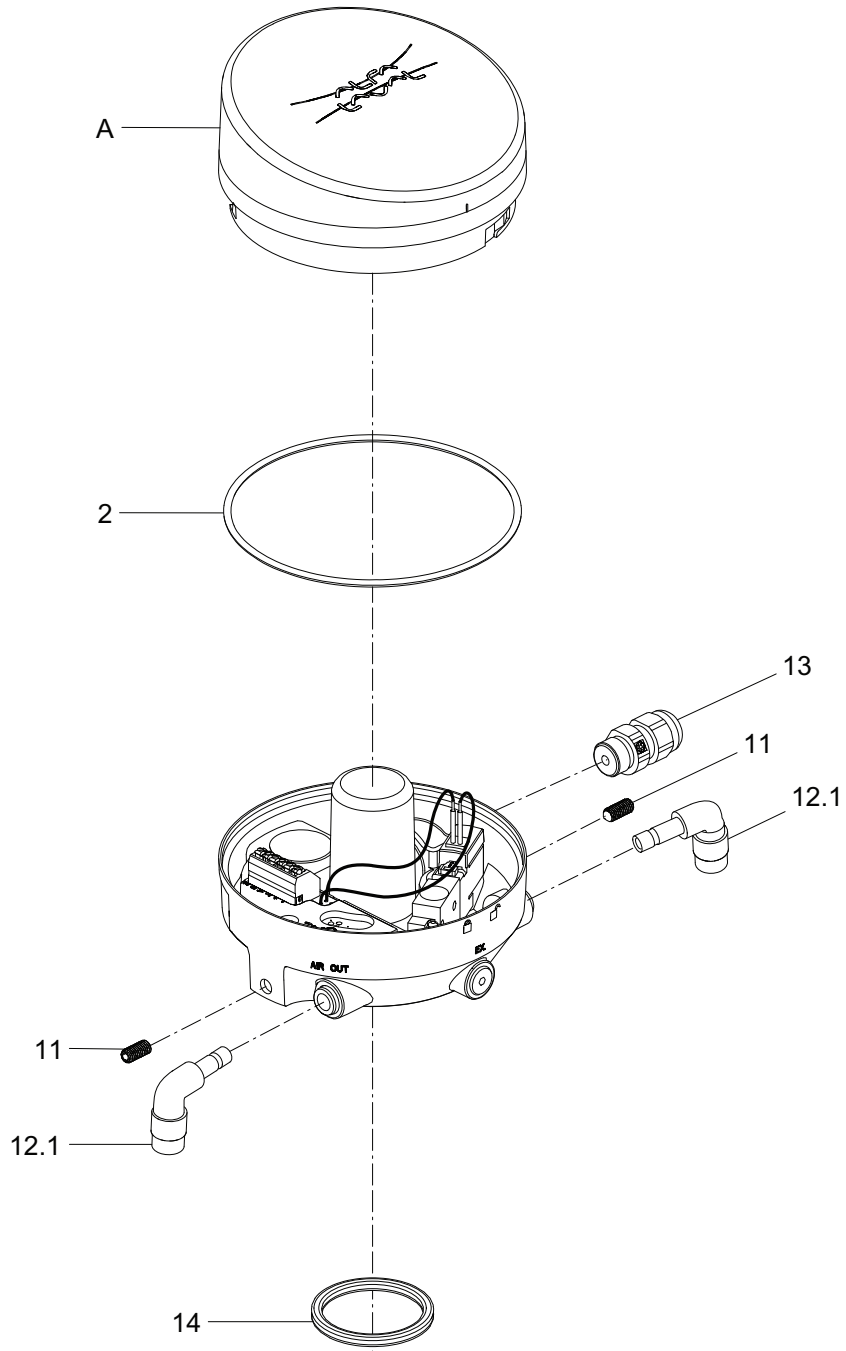
ESE02287-EN2

2014-05

Original manual

The information herein is correct at the time of issue but may be subject to change without prior notice

1. ThinkTop® D30 4



2064-0008_1

Pos	Qty	Denomination	
A		Top incl. prism and O-rings	9614-1968-01
2	1	O-ring	9611-99-5410
11	2	Allen screw	9611-99-5412
12.1	1	Air fitting, ø6mm	9611-99-5678
	1	Air-fitting, 1/4"	9611-99-5679
13	1	Cable gland PG7	9611-99-5411
14	1	X-ring	9612-5696-01

900635/1

How to contact Alfa Laval

Contact details for all countries are continually updated on our website.

Please visit www.alfalaval.com to access the information directly.

© Alfa Laval Corporate AB

This document and its contents is owned by Alfa Laval Corporate AB and protected by laws governing intellectual property and thereto related rights. It is the responsibility of the user of this document to comply with all applicable intellectual property laws. Without limiting any rights related to this document, no part of this document may be copied, reproduced or transmitted in any form or by any means (electronic, mechanical, photocopying, recording, or otherwise), or for any purpose, without the expressed permission of Alfa Laval Corporate AB. Alfa Laval Corporate AB will enforce its rights related to this document to the fullest extent of the law, including the seeking of criminal prosecution.