



# Leave Surveillance to the Top

## Alfa Laval ThinkTop® D30 Digital

### Concept

The ThinkTop D30 is a basic valve control unit that consists of a proven no-touch sensor system with 360-degree LED visual indication, an integrated solenoid valve for spring-loaded actuator, and valve control sensor board for connection to any PLC (Programming Logic Controller) system with digital interface.

ThinkTop D30 offers a simplify solution for Alfa Laval butterfly and single-seat valves and is designed for use in the dairy, food and beverage, and biopharm industries; ThinkTop D30 is a supplement, alternative solution to optimize applications instead of using external solenoid valves and the existing range of control units.

### Working principle

ThinkTop D30 fits onto nearly all Alfa Laval hygienic actuators equipped with mushrooms. Installation is straightforward; no special expertise, adapters or tools are required. ThinkTop D30 is an easy-to-use plug 'n play control unit with one 3/2-way solenoid valve and with integrated intelligence to monitor the status of the operating air pressure, identifying air loss or leakage. By getting the electrical PLC and sensor signals the integrated solenoid valve enables control of the processing valve by open or closing the air-operated valve.



### TECHNICAL DATA

#### Communication

Interface . . . . . Digital PNP

#### Sensor board

Max current consumption . . . . . 45mA  
 Feedback signal #1 . . . . . De-energized valve  
 Feedback signal #2 . . . . . Energized valve  
 Feedback signal #3 . . . . . Alarm

#### Solenoid valve

Max current consumption . . . . . 45mA  
 Air supply . . . . . 400 - 700 kPa (4 - 7 bar)  
 Type of solenoid . . . . . 3/2-ways  
 Number of solenoids . . . . . 1  
 Manual hold override . . . . . Yes  
 Push-in fittings . . . . . ø6 mm

### PHYSICAL DATA

#### Materials

Steel parts . . . . . Stainless Steel and Brass  
 Plastic parts . . . . . Black Nylon PA 6  
 Seals . . . . . Nitrile (NBR) rubber

#### Environment

Working temperature . . . . . -10 °C to +50 °C  
 Protection class . . . . . IP66 and IP67

#### Cable connection

Max wire size . . . . . 0.5 mm<sup>2</sup> (AWG 20)

#### Note

For further information: See also ESE02248



### Options

- Pneumatic tubing interface

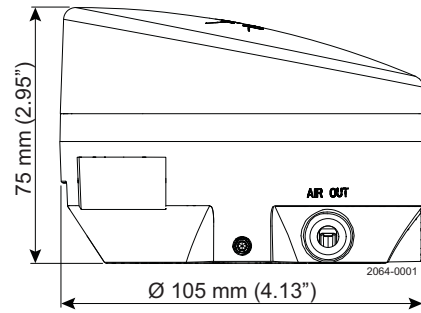
### Accessories

- Various cable options
- Elbow pneumatic fittings for adapting various tubing
- Threaded plate for indication pin on SRC, SMP-BC and i-SSV valves
- Adaptor for Unique SSSV valves

### Compatible valves

ARC	Yes	SBV	Yes
SRC	Yes	Koltek	Yes
Unique SSV	Yes	SMP valves	Yes
iSSV	Yes	Unique Mixproof	No
LKLA-T	Yes	Unique SSV Long stroke	No
LKLA	No	Unique SSV High pressure DN80 - DN100	No
Air/Air actuator	No	SRC Long stroke	No
		Unique SSV DN125 - DN150	No

### Dimensions



### Electrical connection

Digital Interface  
Sensor board  
Terminal strip

Connection of power supply	{	GND	-
		24 VDC	+
PLC output signal	{	Trigger solenoid	T
		Alarm	A
PLC input signals	{	De-Energized	D
		Energized	E

Alfa Laval reserves the right to change specifications without prior notification. ALFA LAVAL is a trademark registered and owned by Alfa Laval Corporate AB.

### How to contact Alfa Laval

Contact details for all countries are continually updated on our website. Please visit [www.alfalaval.com](http://www.alfalaval.com) to access the information direct.