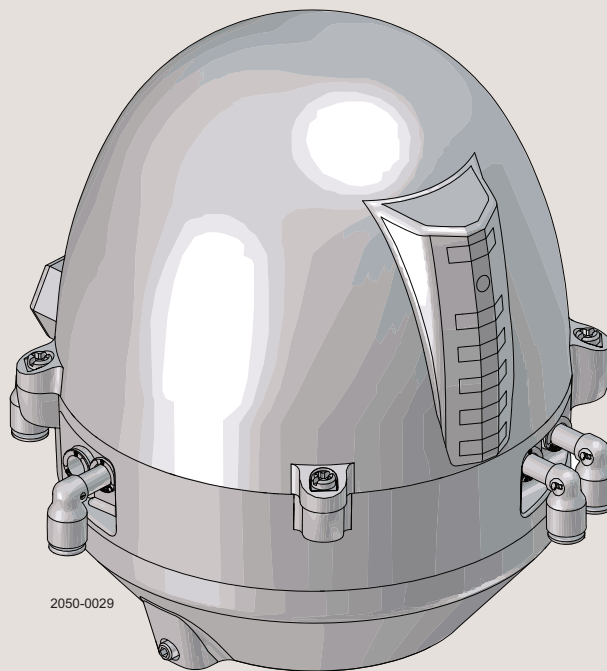




## Spare Parts

### ThinkTop® Basic Digital and AS-Interface



This sparepart covers the instruction manual ESE02954  
and the installation instructions ESE00227, ESE00228 and ESE01632.

ESE00234-EN9      2016-04

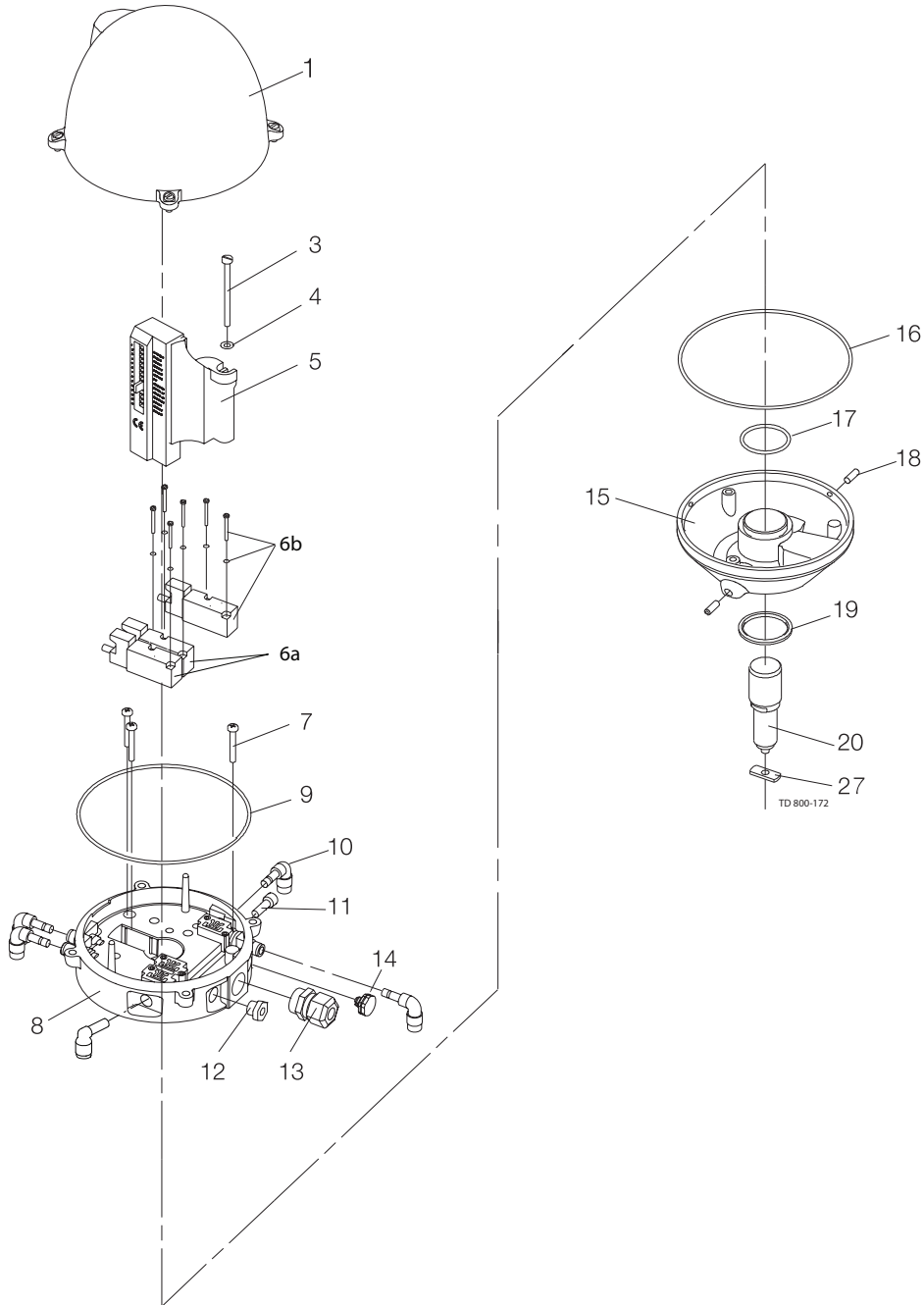
Original manual



---

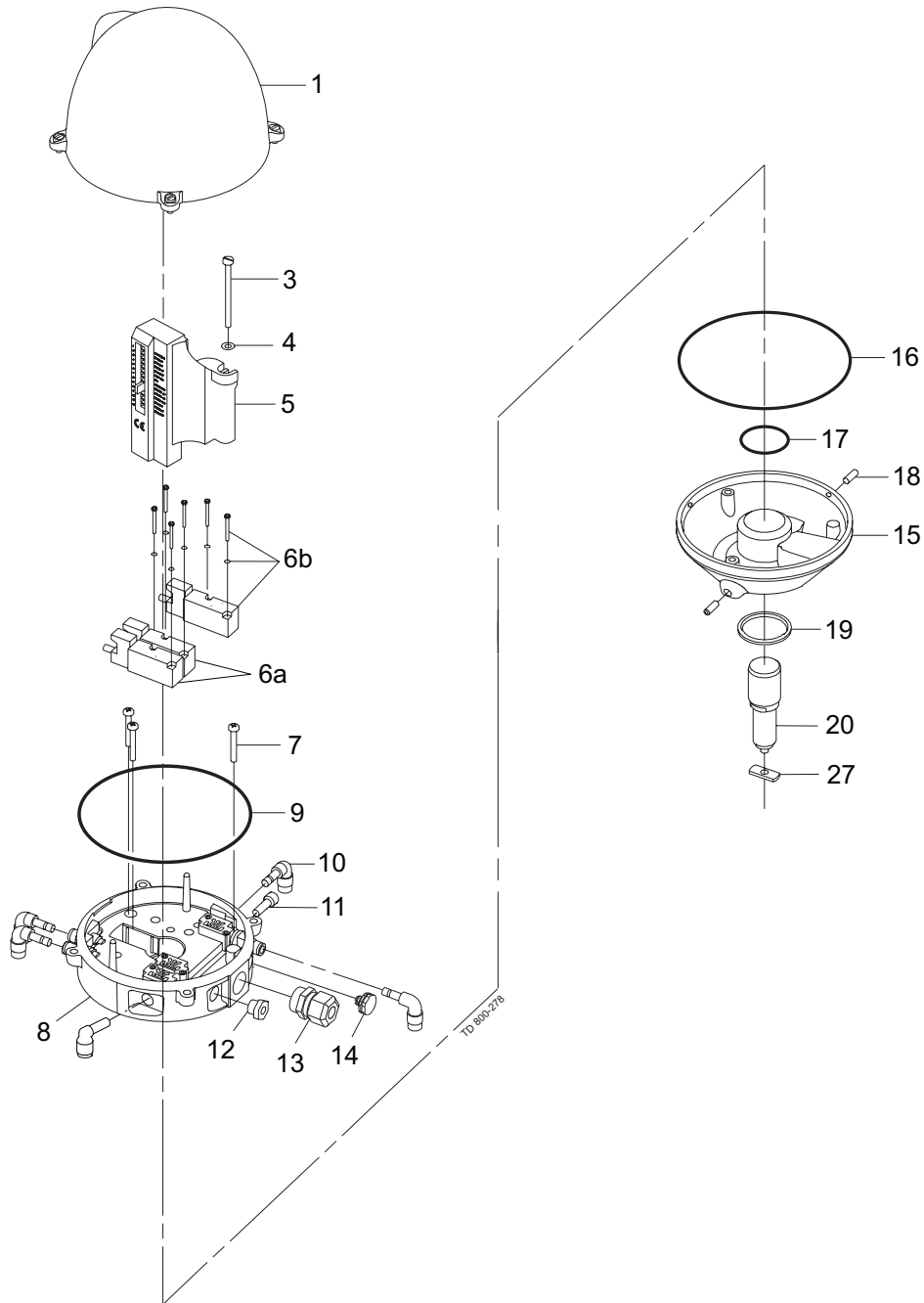
*The information herein is correct at the time of issue but may be subject to change without prior notice*

1. ThinkTop Basic Digital 10-30 VDC PNP/NPN .....	4
2. ThinkTop Basic AS-Interface v.3.0 (62 nodes) 29.5 - 31.6 VDC .....	6
3. ThinkTop Basic Digital for series 700 .....	8



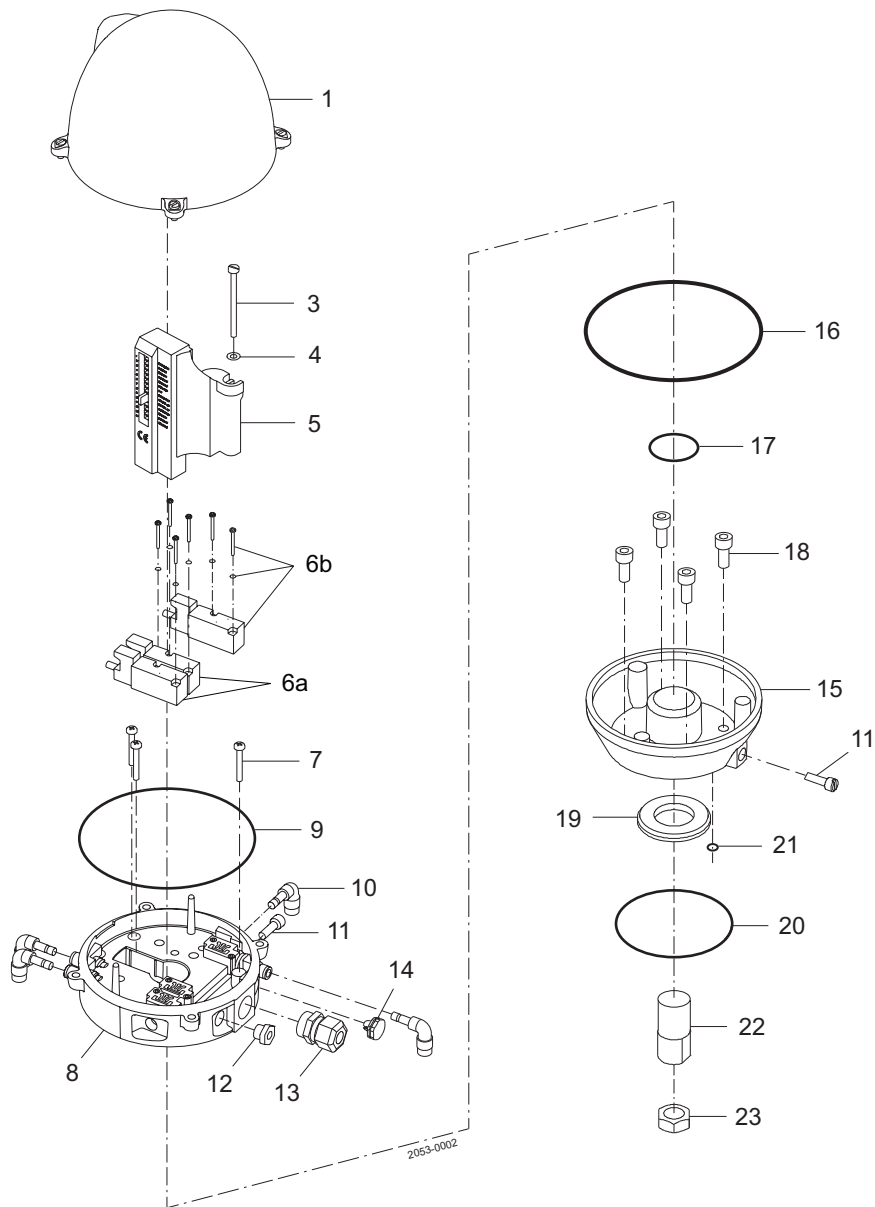
Pos	Qty	Denomination	SRC, ARC, SMP-BC, SMP-SC SF, Unique Mixproof, Unique-TO, Unique SSV, Unique SSV Aseptic SMP-TO, LKB (LKLA-T), Koltek MH, AMP, SBV	Ø6 mm Air connection	1/4" Air connection
1	1	Shell complete .....	9613419301		
3	1	Screw .....	9611993458		
4	1	Washer .....	9611993459		
5	1	Sensor board , Digital 10-30 VDC PNP/NPN .....	9613419201		
6a	1-2	Solenoid valve (3/2), 24 VDC .....	9611994635		
6b	1	Solenoid valve (3/2 or 5/2), 24 VDC .....	9611993327		
7	3	PT screw .....	9611993457		
8	1	Base, complete, no solenoids (pos.9,12,13,14 included) .....		9613419701	9613419601
	1	Base, complete, 3/2 24 VDC, one solenoid .....		9613419702	9613419602
		(Pos.9,10,11,12,13,14 included) .....			
	1	Base, complete, 3/2 24 VDC, two solenoids .....		9613419704	9613419604
		(Pos.9,10,11,12,13,14 included) .....			
	1	Base, complete, 3/2 24 VDC, three solenoids .....		9613419705	9613419605
		(Pos.9,10,11,12,13,14 included) .....			
	1	Base, complete, 5/2 24 VDC, one solenoid .....		9613419703	9613419603
		(Pos.9,10,11,12,13,14 included) .....			
9	1	Special X-ring, grey .....	9613456401		
10	1	Air fitting elbow, metal plug, black rim, ø6mm/ø6mm .....		9611995678	
		(Period 1304- ) .....			
	1	Air fitting elbow, metal plug, grey rim, ø6mm/1/4" .....			9611995679
		(Period 1304- ) .....			
	1	Air fitting elbow, black, black rim, ø6mm/ø6mm (period - 1201) ..		9611995673	
	1	Air fitting elbow, 1/4"/1/4" (Period -1201) .....			9611995375
11	1	Blow-off valve .....	9612563603		
12	1	Thread plug, PG7 ø3-ø6.5 mm .....	9611993407		
13	1	Cable gland, PG11 ø4-ø10 mm .....	9611993517		
14	1	Gore vent .....	9611994722		
15	1	Adapter complete, (pos. 16,17,18,19 included) .....	9612562103		
16	1	Special X-ring, black .....	9612999401		
17	1	O-ring .....	9611993350		
18	2	Allen screw .....	9611993409		
19	1	Special X-ring .....	9612569601		
20	1	Indication pin, complete .....	9612562301		
	1	Indication pin, complete for Unique SSV LS and High Pressure ...	9614066001		
	1	Indication pin, complete incl. steel adapter for Unique SSV LS and High Pressure valve size 76.1-101.6mm/DN80-100 .....	9614067101		
		(Period - 1502) .....			
22	1	5 m flying PVC cable, (12x0.5mm <sup>2</sup> digital) .....	9611993627		
27	1	Threaded plate only for SRC/ARC valves (accessory for the Think Top) .....	3135707012		

TD 900367/7



Pos	Qty	Denomination	SRC, ARC, SMP-BC, SMP-SC SF, Unique Mixproof, Unique-TO, Unique SSV, Unique SSV Aseptic SMP-TO, LKB (LKLA-T), Koltek MH, AMP, SBV	Ø6 mm Air connection	1/4" Air connection
1	1	Shell complete .....	9613419301		
3	1	Screw .....	9611993458		
4	1	Washer .....	9611993459		
5	1	Sensor board, AS-Interface .....	9613475401		
6a	1-2	Solenoid valves (3/2), 24 VDC .....	9611994635		
6b	1	Solenoid valves (3/2 or 5/2), 24 VDC .....	9611993327		
7	3	PT screw .....	9611993457		
8	1	Base, complete, no solenoids (pos. 9,12,13,14 included) .....		9613419701	9613419601
	1	Base, complete, 3/2 24 VDC, one solenoid .....		9613419702	9613419602
		(Pos.9,10,11,12,13,14 included) .....			
	1	Base, complete, 3/2 24 VDC, two solenoids .....		9613419704	9613419604
		(Pos.9,10,11,12,13,14 included) .....			
	1	Base, complete, 3/2 24 VDC, three solenoids .....		9613419705	9613419605
		(Pos.9,10,11,12,13,14 included) .....			
	1	Base, complete, 5/2 24 VDC, one solenoid .....		9613419703	9613419603
		(Pos.9,10,11,12,13,14 included) .....			
9	1	Special X-ring, grey .....	9613456401		
10	1	Air fitting, elbow, metal plug, black rim, ø6mm/ø6mm .....		9611995678	
		(Period 1304 -) .....			
	1	Air fitting, elbow, metal plug, grey rim, ø6mm/1/4" .....			9611995679
		(Period 1304 -) .....			
	1	Air fitting, elbow, black, black rim, ø6mm/ø6mm (Period -1201) ..		9611995673	
	1	Air fitting, elbow, 1/4"/1/4" (Period -1201) .....			9611995375
11	1	Blow-off valve .....	9612563603		
12	1	Thread plug, PG7, ø3-ø6.5 mm .....	9611993407		
13	1	Cable gland, PG11, ø4-ø10 mm .....	9611993517		
14	1	Gore vent .....	9611994722		
15	1	Adapter complete, (pos. 16,17,18,19 included) .....	9612562103		
16	1	Special X-ring, black .....	9612999401		
17	1	O-ring .....	9611993350		
18	2	Allen screw .....	9611993409		
19	1	Special X-ring .....	9612569601		
20	1	Indication pin, complete .....	9612562301		
	1	Indication pin, complete for Unique SSV LS and High Pressure ...	9614066001		
	1	Indication pin, complete incl. steel adapter for Unique SSV LS and High Pressure valve size 76.1-101.6mm/DN80-100 .....	9614067101		
		(Period - 1502) .....			
27	1	Threaded plate, only for SRC/ARC valves .....	3135707012		

TD 900565/6





Pos	Qty	Denomination	1/4" Air connection
1	1	Shell complete .....	9613-4193-01
3	1	Screw .....	9611-99-3458
4	1	Washer .....	9611-99-3459
5	1	Sensor board, 10-30 VDC PNP/NPN .....	9613-4192-01
6a	1-2	Solenoid valve (3/2), 24 VDC .....	9611-99-4635
6b	1	Solenoid valve (3/2 or 5/2), 24 VDC .....	9611-99-3327
7	3	PT screw .....	9611-99-3457
8	1	Base, complete, no solenoids .....	9613-4196-01
		(Pos.9,12,13,14 included) .....	
	1	Base, complete, 3/2 24 VDC, one solenoid .....	9613-4196-02
		(Pos.9,10,11,12,13,14 included) .....	
	1	Base, complete, 3/2 24 VDC, two solenoids .....	9613-4196-04
		(Pos.9,10,11,12,13,14 included) .....	
	1	Base, complete, 3/2 24 VDC, three solenoids .....	9613-4196-05
		(Pos.9,10,11,12,13,14 included) .....	
	1	Base, complete, 5/2 24 VDC, one solenoid .....	9613-4196-03
		(Pos.9,10,11,12,13,14 included) .....	
9	1	Special X-ring, grey .....	9613-4564-01
10	2-5	Air fitting .....	9611-99-3433
11	2	Blow-off valve .....	9612-5636-03
12	1	Thread plug, PG7 ø3-ø6.5 mm .....	9611-99-3407
13	1	Cable gland, PG11 ø4-ø10 mm .....	9611-99-3517
14	1	Gore vent .....	9611-99-4722
15	1	Adapter complete, (pos. 11, 16, 17 included) .....	9612-6358-02
16	1	Special X-ring, black .....	9612-9994-01
17	1	O-ring .....	9611-99-3350
18	4	Screw .....	9611-99-3763
19	1	Retainer .....	9611-99-4203
20	1	O-ring .....	9611-99-3689
21	1	O-ring .....	9611-99-3690
22	1	Indicator pin .....	9612-6357-02
23	1	Nut .....	9611-99-3764

**How to contact Alfa Laval**

Contact details for all countries are continually updated on our website.

Please visit [www.alfalaval.com](http://www.alfalaval.com) to access the information directly.

© Alfa Laval Corporate AB

This document and its contents is owned by Alfa Laval Corporate AB and protected by laws governing intellectual property and thereto related rights. It is the responsibility of the user of this document to comply with all applicable intellectual property laws. Without limiting any rights related to this document, no part of this document may be copied, reproduced or transmitted in any form or by any means (electronic, mechanical, photocopying, recording, or otherwise), or for any purpose, without the expressed permission of Alfa Laval Corporate AB. Alfa Laval Corporate AB will enforce its rights related to this document to the fullest extent of the law, including the seeking of criminal prosecution.