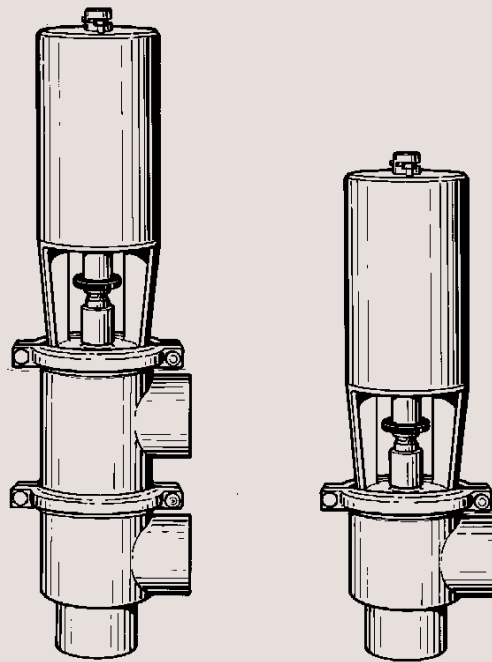




Spare Parts

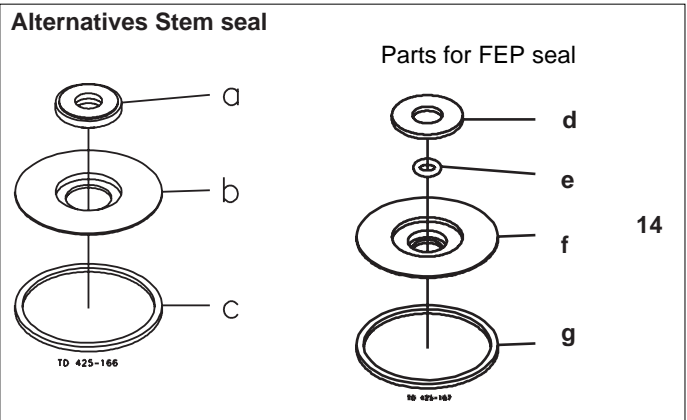
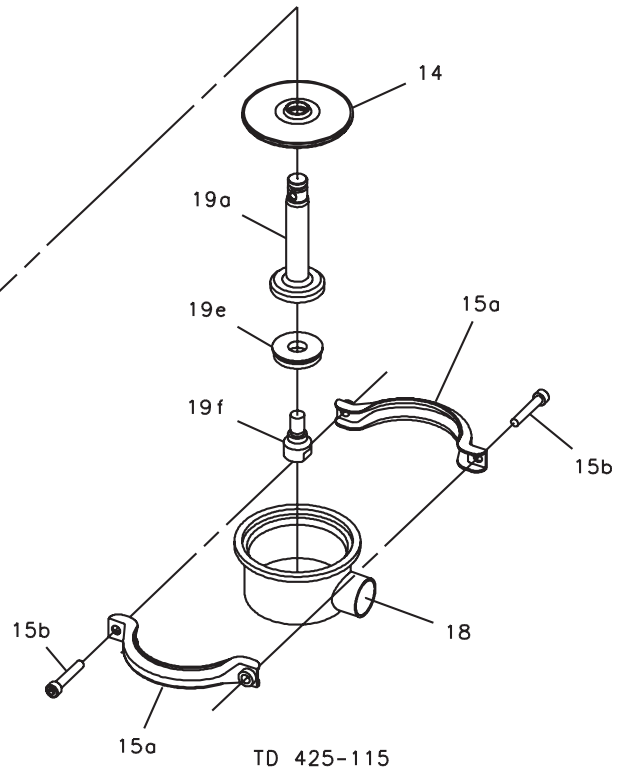
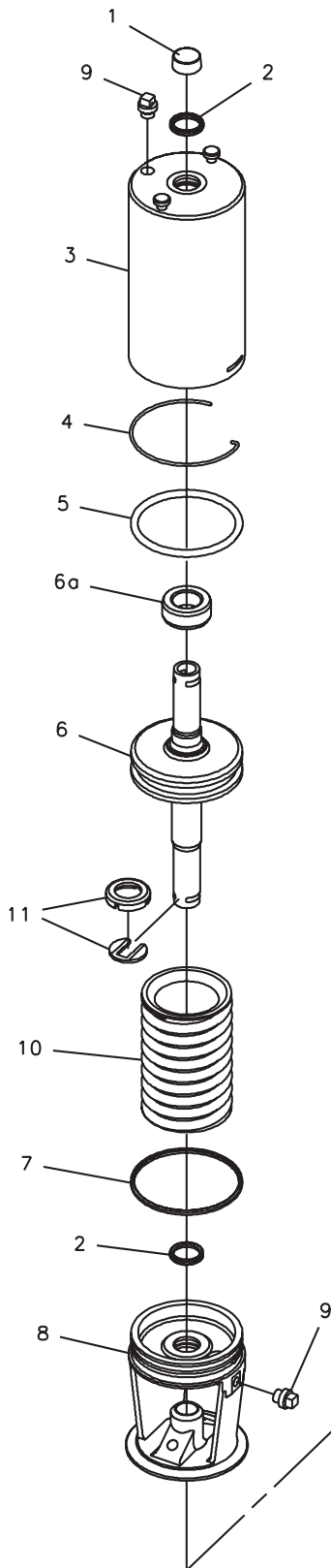
SRC Sanitary Remote-Controlled Valve



SP70007-GB15 2002-11

Sanitary Remote Controlled Valve Stop Valve - 25 mm/DN25 - Type SRC

2



Sanitary Remote Controlled Valve Stop Valve - 25 mm/DN25 - Type SRC

ACTUATOR

| Pos. | Qty | Denomination | DN25 25 mm |
|------|-----|--|---------------|
| | | Actuator -1, complete (NO) | 9612-6087-01 |
| | | Actuator -2, complete (NC) | 9612-6087-02 |
| | | Actuator -3, complete (A/A) | 9612-6087-03 |
| 1 | 1 | Cap | 31801-0525-6 |
| 2Δ | 2 | O-ring | 223406-25 |
| 3 | 1 | Cylinder | 31353-0139-1 |
| 4Δ | 1 | Lock Wire | 31353-0151-1 |
| 5Δ | 1 | O-ring | 223401-74 |
| 6 | 1 | Piston -1, -2 | 31353-0621-1 |
| | 1 | Piston -3 | 31353-0621-2 |
| 6a | 1 | Stop ring | 9612-6021-01 |
| 7Δ | 1 | O-ring | 9611-99-0396 |
| 8 | 1 | Bonnet | 31353-0133-1 |
| 9* | 2 | Plug | 31353-0154-1 |
| 10a* | 1 | Spring assembly (standard black) | 31353-0625-1 |
| 11Δ | 1 | Clip, complete | 31353-0793-1 |
| Δ | | Service kit | 9611-92-0008 |

* Only for actuator -1 and -2.

Valve Body Part

| Pos. | Qty | Denomination | DN 25 25 mm |
|-------------------|-----|-----------------------------------|----------------|
| Stem Seal | | | |
| 14Δ | 1 | Lip seal, EPDM (standard) | 31353-0155-1 |
| | 1 | Lip seal, HNBR | 31353-0155-4 |
| | 1 | Lip seal, FPM | 31353-0155-3 |
| Clamp | | | |
| 15a+b1 | | Clamps and screws | 31320-0027-3 |
| Valve Body | | | |
| 18 | 1 | Valve body, 2 ports ISO | 9612-5987-01 |
| | 1 | Valve body, 2 ports DIN | 9612-5988-01 |
| | 1 | Valve body, 3 ports ISO | 9612-5987-02 |
| | 1 | Valve body, 3 ports DIN | 9612-5988-02 |
| Valve Plug | | | |
| 19 | 1 | Plug, single, complete EPDM | 9612-5998-01 |
| | 1 | (standard) | |
| | 1 | Plug, single, complete NBR | 9612-5998-02 |
| | 1 | Plug, single, complete FPM | 9612-5998-03 |
| a | 1 | Stem | 9612-5995-01 |
| eΔ ● | 1 | Seal ring, EPDM (standard) | 9612-5996-01 |
| | 1 | Seal ring, NBR | 9612-5996-02 |
| | 1 | Seal ring, FPM | 9612-5996-03 |
| | 1 | Seal ring, PTFE | 9612-6279-01 |
| f | 1 | Screw | 9612-5997-01 |

| Pos. | Qty | Denomination | DN 25 25 mm |
|---|-----|-----------------------------------|---------------------|
| Valve Body with 0.8 Ra finish inside | | | |
| 18 | 1 | Valve body, 2 ports ISO | 9612-5987-03 |
| | 1 | Valve body, 2 ports DIN | 9612-5988-03 |
| 18 | 1 | Valve body, 3 ports ISO | 9612-5987-04 |
| | 1 | Valve body, 3 ports DIN | 9612-5988-04 |
| Valve Plug with 0.8 Ra finish | | | |
| 19 | 1 | Plug, single, complete EPDM | 9612-5998-04 |
| | | (standard) | |
| | 1 | Plug, single, complete NBR | 9612-5998-05 |
| | 1 | Plug, single, complete FPM | 9612-5998-06 |
| a | 1 | Stem | 31353-1007-9 |
| f | 1 | Screw | 9612-5997-02 |
| Δ | | Service kit EPDM | 9611-92-0535 |
| Δ | | Service kit NBR | 9611-92-0536 |
| Δ | | Service kit FPM | 9611-92-0537 |

Parts marked with Δ are included in the service kits

Alternatives

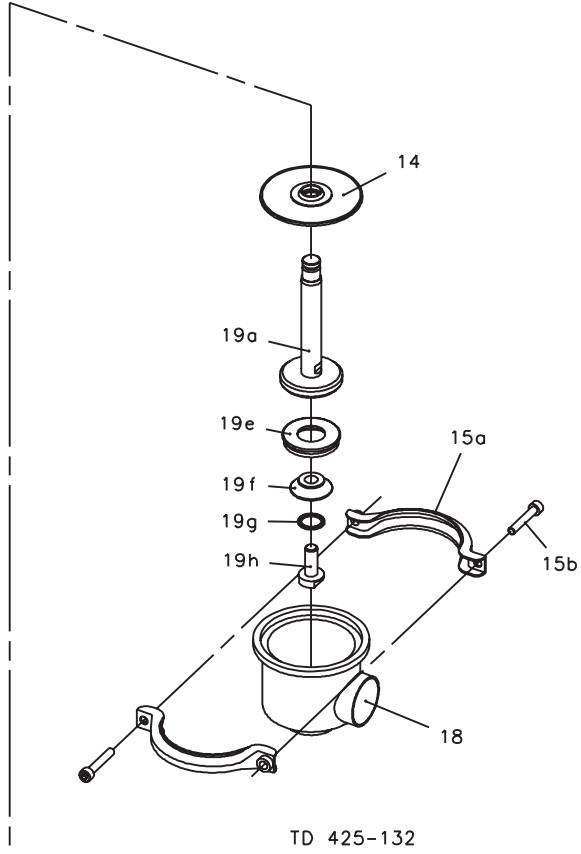
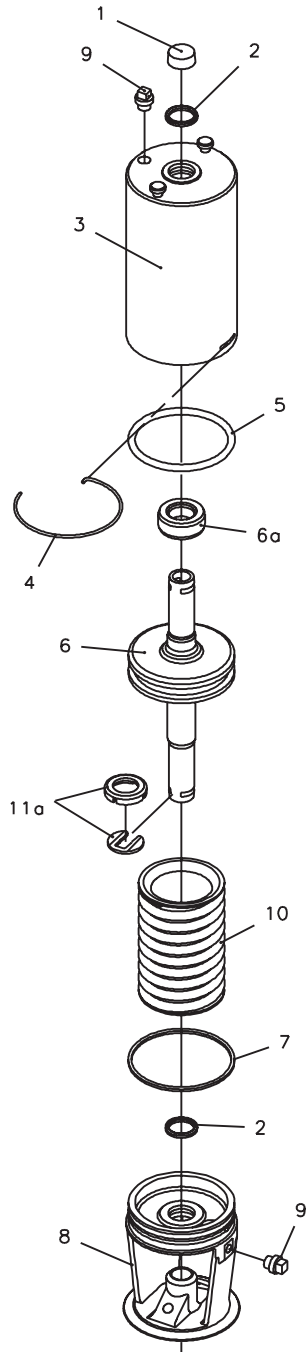
| Stem seal | | | |
|------------------|---|-------------------------------------|--------------|
| 14 | 1 | Lip seal kit, EPDM (standard) | 9611-92-0078 |
| | 1 | Lip seal kit, NBR | 9611-92-0079 |
| | 1 | Lip seal kit, FPM | 9611-92-0080 |
| a● | 1 | Lip seal, EPDM | 9612-2806-01 |
| | 1 | Lip seal, NBR | 9612-2806-02 |
| | 1 | Lip seal, FPM | 9612-2806-03 |
| b | 1 | Plate | 9612-2805-01 |
| c● | 1 | Seal ring, EPDM | 31353-0128-1 |
| | 1 | Seal ring, NBR | 31353-0128-2 |
| | 1 | Seal ring, FPM | 31353-0128-3 |
| Stem seal | | | |
| 14d | 1 | Washer | 31353-0452-1 |
| e● | 1 | O-ring FEP/Silicone | 9611-99-2909 |
| f | 1 | Holder | 31353-0453-1 |
| g● | 1 | Valve body packing | 31353-0451-1 |

Service kits special lip seals (marked ●)

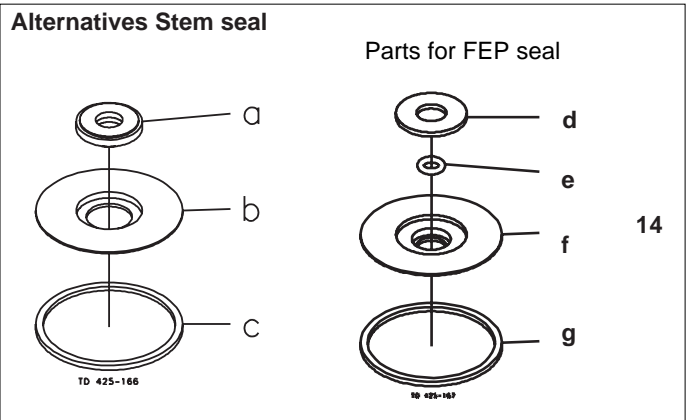
| | | |
|---|-------------------------------|---------------------|
| ● | Service kit EPDM | 9611-92-0538 |
| ● | Service kit NBR | 9611-92-0539 |
| ● | Service kit FPM | 9611-92-0540 |
| ● | Service kit FEP | 9611-92-0541 |

Sanitary Remote Controlled Valve Stop Valve - 38-101.6 mm/DN40-100 - Type SRC

4



TD 425-132



14

Sanitary Remote Controlled Valve Stop Valve - 38-101.6 mm/DN40-100 - Type SRC

ACTUATOR

| Pos. | Qty | Denomination | DN 40 38 mm | DN 50 51 mm | DN65 63.5 mm | 76 mm | DN 80 | DN 100 101.6 mm |
|------|-----|---------------------------------|---------------------|---------------------|---------------------|---------------------|---------------------|---------------------|
| | | Actuator -1, complete (NO) . | 31353-0206-1 | 31353-0206-1 | 31353-0206-1 | 31353-0214-1 | 31353-0214-1 | 31353-0214-1 |
| | | Actuator -2, complete (NC) .. | 31353-0206-2 | 31353-0206-2 | 31353-0206-2 | 31353-0214-2 | 31353-0214-2 | 31353-0214-2 |
| | | Actuator -3, complete (A/A) . | 31353-0206-3 | 31353-0206-3 | 31353-0206-3 | 31353-0214-3 | 31353-0214-3 | 31353-0214-3 |
| 1 | 1 | Cap | 31801-0525-6 | 31801-0525-6 | 31801-0525-6 | 31801-0525-5 | 31801-0525-5 | 31801-0525-5 |
| 2Δ | 2 | O-ring | 223406-25 | 223406-25 | 223406-25 | 223406-49 | 223406-49 | 223406-49 |
| 3 | 1 | Cylinder | 31353-0139-1 | 31353-0139-1 | 31353-0139-1 | 31353-0185-1 | 31353-0185-1 | 31353-0185-1 |
| 4Δ | 1 | Lock Wire | 31353-0151-1 | 31353-0151-1 | 31353-0151-1 | 31353-0189-1 | 31353-0189-1 | 31353-0189-1 |
| 5Δ | 1 | O-ring | 223401-74 | 223401-74 | 223401-74 | 223401-75 | 223401-75 | 223401-75 |
| 6 | 1 | Piston -1, -2 | 31353-0621-1 | 31353-0621-1 | 31353-0621-1 | 31353-0619-1 | 31353-0619-1 | 31353-0619-1 |
| | 1 | Piston -3 | 31353-0621-2 | 31353-0621-2 | 31353-0621-2 | 31353-0619-2 | 31353-0619-2 | 31353-0619-2 |
| 6a | 1 | Stop ring | 31353-1217-2 | 31353-1217-2 | 31353-1217-2 | | | |
| | | (only for actuator-3) | | | | | | |
| 7Δ | 1 | O-ring | 9611-99-0396 | 9611-99-0396 | 9611-99-0396 | 223406-17 | 223406-17 | 223406-17 |
| 8 | 1 | Bonnet | 31353-0133-1 | 31353-0133-1 | 31353-0133-1 | 31353-0190-1 | 31353-0190-1 | 31353-0190-1 |
| 9* | 2 | Plug | 31353-0154-1 | 31353-0154-1 | 31353-0154-1 | 31353-0154-1 | 31353-0154-1 | 31353-0154-1 |
| 10a* | 1 | Spring assembly | 31353-0625-1 | 31353-0625-1 | 31353-0625-1 | 31353-0622-1 | 31353-0622-1 | 31353-0622-1 |
| | | (standard black) | | | | | | |
| 10b* | 1 | Spring assembly with | 31353-0625-2 | 31353-0625-2 | 31353-0625-2 | 31353-0622-2 | 31353-0622-2 | 31353-0622-2 |
| | | extra strong spring (white). | | | | | | |
| 11aΔ | 1 | Clip, complete | 31353-0793-1 | 31353-0793-1 | 31353-0793-1 | 31353-0793-2 | 31353-0793-2 | 31353-0793-2 |
| | | (period 84.08-) | | | | | | |
| 11b | 1 | Clip, (period 68.02 - 84.07) .. | 31353-0130-1 | 31353-0130-1 | 31353-0130-1 | 31353-0130-1 | 31353-0130-1 | 31353-0130-1 |
| Δ | | Service kit | 9611-92-0008 | 9611-92-0008 | 9611-92-0008 | 9611-92-0009 | 9611-92-0009 | 9611-92-0009 |

* Only for actuator -1 and -2.

Alternatives

| | | | | | | |
|---|--------------|--------------|--------------|--|--|--|
| Special actuator (dia 133mm) -1, complete (NO) | 31353-0504-1 | 31353-0504-1 | 31353-0504-1 | | | |
| Special actuator (dia 133mm) -2, complete (NC) | 31353-0504-2 | 31353-0504-2 | 31353-0504-2 | | | |
| Special actuator (dia 133mm) -3, complete (A/A) | 31353-0504-3 | 31353-0504-3 | 31353-0504-3 | | | |

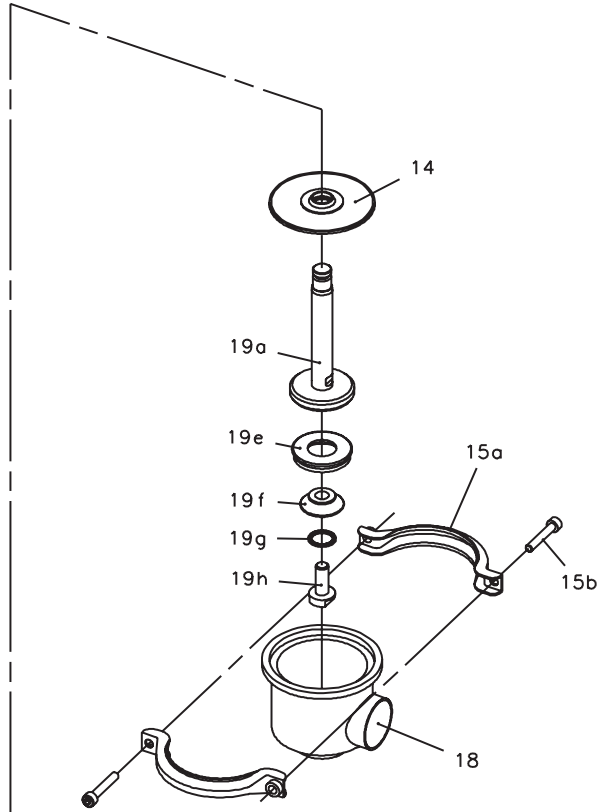
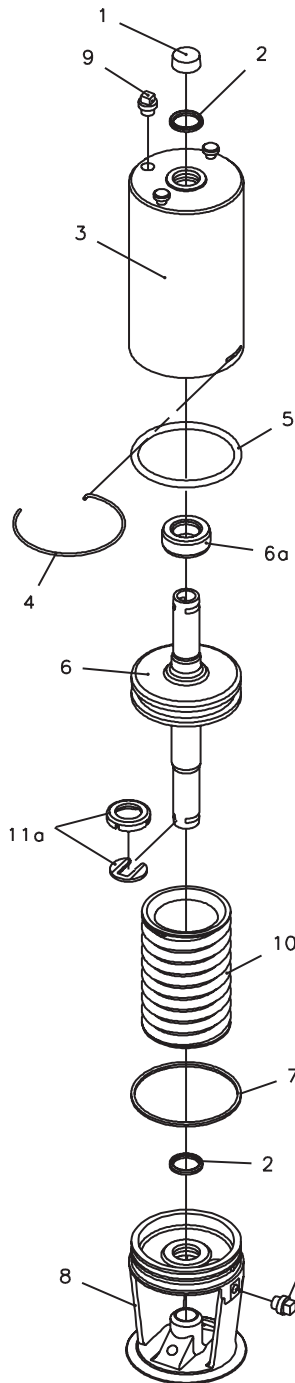
Valve Body Part

| Pos. | Qty | Denomination | DN 40 38 mm | DN 50 51 mm | DN65 63.5 mm | 76 mm | DN 80 | DN 100 101.6 mm |
|-------------------|-----|-------------------------------|----------------|----------------|-----------------|--------------|--------------|--------------------|
| Stem Seal | | | | | | | | |
| 14Δ | 1 | Lip seal, EPDM | 31353-0155-1 | 31353-0155-1 | 31353-0155-1 | 31353-0188-1 | 31353-0188-1 | 31353-0188-1 |
| | | (standard) | | | | | | |
| | 1 | Lip seal, NBR | 31353-0155-2 | 31353-0155-2 | 31353-0155-2 | 31353-0188-2 | 31353-0188-2 | 31353-0188-2 |
| | 1 | Lip seal, FPM | 31353-0155-3 | 31353-0155-3 | 31353-0155-3 | 31353-0188-3 | 31353-0188-3 | 31353-0188-3 |
| Clamp | | | | | | | | |
| 15a+b | 1 | Clamps and screws | 31320-0027-3 | 31320-0027-3 | 31320-0027-3 | 31320-0027-2 | 31320-0027-2 | 31320-0027-2 |
| | | (Period 9209-) | | | | | | |
| 15a | 2 | Clamp half | 31320-0022-1 | 31320-0022-1 | 31320-0022-1 | 31320-0021-1 | 31320-0021-1 | 31320-0021-1 |
| | | (Period -9209) | | | | | | |
| 15b | 2 | Screw (Period -9209) | 2210936-18 | 2210936-18 | 2210936-18 | 2210936-18 | 2210936-18 | 2210936-18 |
| Valve Body | | | | | | | | |
| 18 | 1 | Valve body, 2 ports ISO | 31353-0375-1 | 31353-0376-1 | 31353-0380-1 | 31353-0381-1 | | 31353-0026-1 |
| | 1 | Valve body, 2 ports DIN | 9612-0940-01 | 9612-0941-01 | 9612-0942-01 | | 9612-0943-01 | 9612-0944-01 |
| 18 | 1 | Valve body, 3 ports ISO | 31353-0375-6 | 31353-0376-6 | 31353-0380-6 | 31353-0381-6 | | 31353-0026-6 |
| | 1 | Valve body, 3 ports DIN | 9612-0940-02 | 9612-0941-02 | 9612-0942-02 | | 9612-0943-02 | 9612-0944-02 |

Sanitary Remote Controlled Valve Stop Valve - 38-101.6 mm/DN40-100 - Type SRC

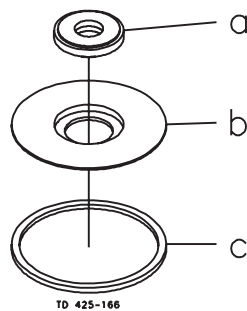
6

(Same drawing as on page 4)



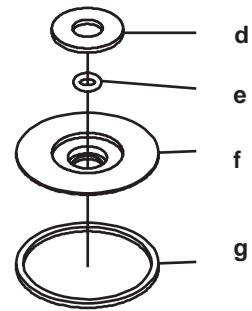
TD 425-132

Alternatives Stem seal



TD 425-166

Parts for FEP seal



14

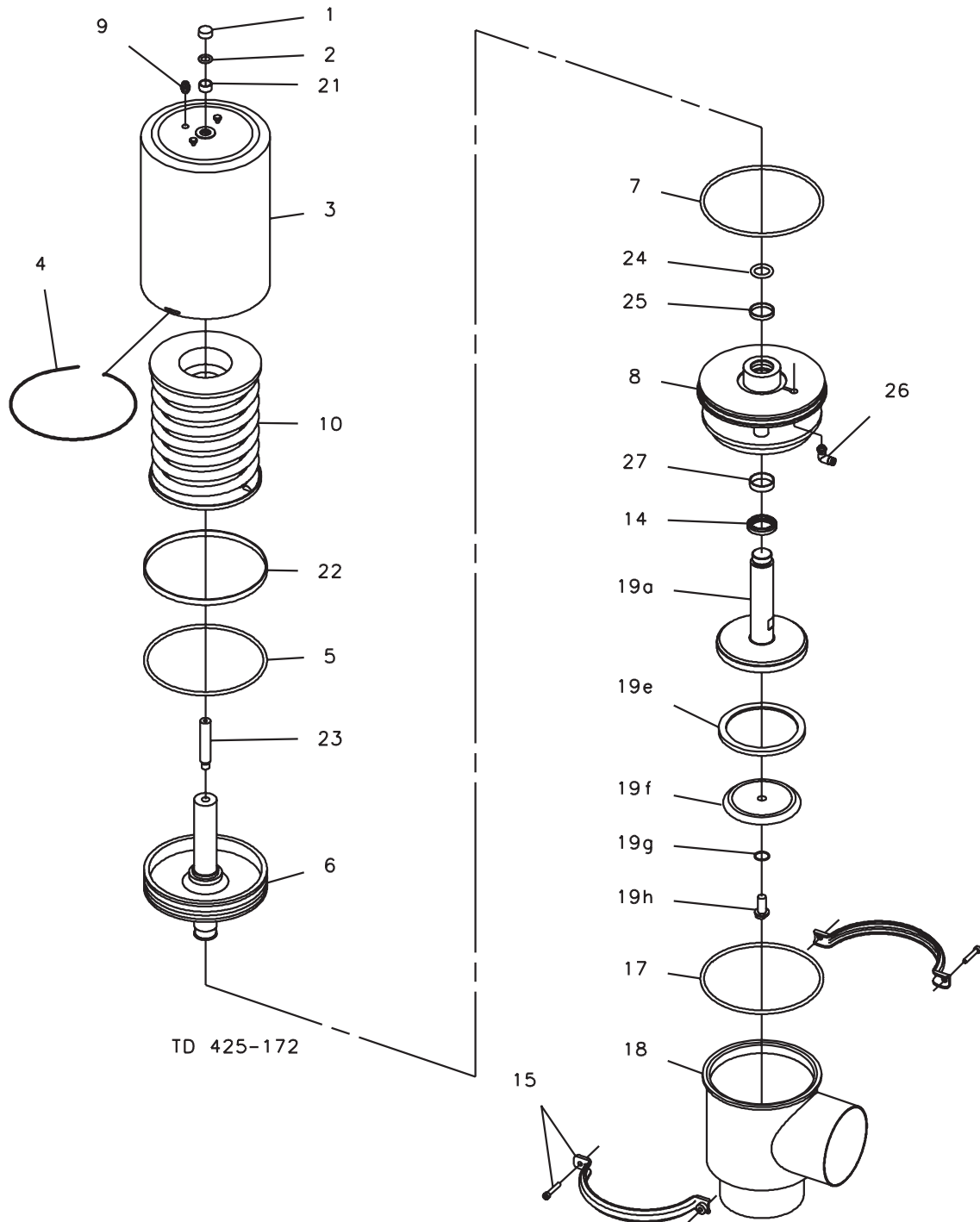
Sanitary Remote Controlled Valve Stop Valve - 38-101.6 mm/DN40-100 - Type SRC

| Pos. | Qty | Denomination | DN 40 38 mm | DN 50 51 mm | DN65 63.5 mm | 76 mm | DN 80 | DN 100 101.6mm |
|---|-----|--|---------------------|---------------------|---------------------|---------------------|---------------------|---------------------|
| Valve Plug | | | | | | | | |
| 19 | 1 | Plug, single, complete EPDM (standard) | 31353-0330-1 | 31353-0331-1 | 31353-0332-1 | 31353-0333-1 | 31353-0333-4 | 31353-0334-1 |
| | 1 | Plug, single, complete NBR .. | 31353-0330-2 | 31353-0331-2 | 31353-0332-2 | 31353-0333-2 | 31353-0333-5 | 31353-0334-2 |
| | 1 | Plug, single, complete FPM .. | 31353-0330-3 | 31353-0331-3 | 31353-0332-3 | 31353-0333-3 | 31353-0333-6 | 31353-0334-3 |
| a | 1 | Stem | 31353-0340-1 | 31353-0377-1 | 31353-0378-1 | 31353-0341-1 | 31353-0341-2 | 31353-0379-1 |
| eΔ ● | 1 | Seal ring, EPDM (standard) | 31353-0320-1 | 31353-0321-1 | 31353-0322-1 | 31353-0324-1 | 9612-0950-01 | 31353-0325-1 |
| | 1 | Seal ring, NBR | 31353-0320-2 | 31353-0321-2 | 31353-0322-2 | 31353-0324-2 | 9612-0950-02 | 31353-0325-2 |
| | 1 | Seal ring, FPM | 31353-0320-3 | 31353-0321-3 | 31353-0322-3 | 31353-0324-3 | 9612-0950-03 | 31353-0325-3 |
| | 1 | Packing PTFE | 31353-1211-1 | 31353-1212-1 | 31353-1213-1 | 31353-1214-1 | 31353-1225-1 | 31353-1215-1 |
| f | 1 | Washer | 31353-0357-1 | 31353-0358-1 | 31353-0359-1 | 31353-0360-1 | 31353-0360-2 | 31353-0361-1 |
| gΔ ● | 1 | O-ring, EPDM (standard) | 990034-01 | 990034-01 | 990034-01 | 990034-01 | 990034-01 | 990034-01 |
| | 1 | O-ring, NBR | 223404-21 | 223404-21 | 223404-21 | 223404-21 | 223404-21 | 223404-21 |
| | 1 | O-ring, FPM | 223404-35 | 223404-35 | 223404-35 | 223404-35 | 223404-35 | 223404-35 |
| | 1 | Seal ring, PTFE | 9612-4330-01 | 9612-4330-01 | 9612-4330-01 | 9612-4330-01 | 9612-4330-01 | 9612-4330-01 |
| h | 1 | Screw | 31353-0362-1 | 31353-0362-1 | 31353-0362-1 | 31353-0362-1 | 31353-0362-1 | 31353-0362-1 |
| Valve Body with 0.8 Ra finish inside | | | | | | | | |
| 18 | 1 | Valve body, 2 ports ISO | 31353-0375-2 | 31353-0376-2 | 31353-0380-2 | 31353-0381-2 | | 31353-0026-2 |
| | 1 | Valve body, 2 ports DIN | 9612-0940-03 | 9612-0941-03 | 9612-0942-03 | | 9612-0943-03 | 9612-0944-03 |
| 18 | 1 | Valve body, 3 ports ISO | 31353-0375-3 | 31353-0376-3 | 31353-0380-3 | 31353-0381-3 | | 31353-0026-3 |
| | 1 | Valve body, 3 ports DIN | 9612-0940-04 | 9612-0941-04 | 9612-0942-04 | | 9612-0943-04 | 9612-0944-04 |
| Valve Plug with 0.8 Ra finish | | | | | | | | |
| 19 | 1 | Plug, single, complete EPDM (standard) | 31353-1090-1 | 31353-1091-1 | 31353-1092-1 | 31353-1093-1 | 31353-1093-4 | 31353-1094-1 |
| | 1 | Plug, single, complete NBR .. | 31353-1090-2 | 31353-1091-2 | 31353-1092-2 | 31353-1093-2 | 31353-1093-5 | 31353-1094-2 |
| | 1 | Plug, single, complete FPM .. | 31353-1090-3 | 31353-1091-3 | 31353-1092-3 | 31353-1093-3 | 31353-1093-6 | 31353-1094-3 |
| a | 1 | Stem | 31353-1007-1 | 31353-1007-2 | 31353-1007-3 | 31353-1007-4 | 31353-1007-8 | 31353-1007-5 |
| f | 1 | Washer | 31353-1010-1 | 31353-1010-2 | 31353-1010-3 | 31353-1010-4 | 31353-1010-6 | 31353-1010-5 |
| h | 1 | Screw | 31353-1011-1 | 31353-1011-1 | 31353-1011-1 | 31353-1011-1 | 31353-1011-1 | 31353-1011-1 |
| Δ | | Service kit EPDM | 9611-92-0010 | 9611-92-0013 | 9611-92-0016 | 9611-92-0019 | 9611-92-0105 | 9611-92-0022 |
| Δ | | Service kit NBR | 9611-92-0011 | 9611-92-0014 | 9611-92-0017 | 9611-92-0020 | 9611-92-0106 | 9611-92-0023 |
| Δ | | Service kit FPM | 9611-92-0012 | 9611-92-0015 | 9611-92-0018 | 9611-92-0021 | 9611-92-0107 | 9611-92-0024 |
| Parts marked with Δ are included in the service kits | | | | | | | | |
| Alternatives | | | | | | | | |
| Stem seal | | | | | | | | |
| 14 | 1 | Lip seal kit, EPDM (standard) | 9611-92-0078 | 9611-92-0078 | 9611-92-0078 | 9611-92-0142 | 9611-92-0142 | 9611-92-0142 |
| | 1 | Lip seal kit, NBR | 9611-92-0079 | 9611-92-0079 | 9611-92-0079 | 9611-92-0143 | 9611-92-0143 | 9611-92-0143 |
| | 1 | Lip seal kit, FPM | 9611-92-0080 | 9611-92-0080 | 9611-92-0080 | 9611-92-0144 | 9611-92-0144 | 9611-92-0144 |
| a ● | 1 | Lip seal, EPDM | 9612-2806-01 | 9612-2806-01 | 9612-2806-01 | 9612-3088-01 | 9612-3088-01 | 9612-3088-01 |
| | 1 | Lip seal, NBR | 9612-2806-02 | 9612-2806-02 | 9612-2806-02 | 9612-3088-02 | 9612-3088-02 | 9612-3088-02 |
| | 1 | Lip seal, FPM | 9612-2806-03 | 9612-2806-03 | 9612-2806-03 | 9612-3088-03 | 9612-3088-03 | 9612-3088-03 |
| b | 1 | Plate | 9612-2805-01 | 9612-2805-01 | 9612-2805-01 | 9612-3087-01 | 9612-3087-01 | 9612-3087-01 |
| c ● | 1 | Seal ring, EPDM | 31353-0128-1 | 31353-0128-1 | 31353-0128-1 | 31353-0205-1 | 31353-0205-1 | 31353-0205-1 |
| | 1 | Seal ring, NBR | 31353-0128-2 | 31353-0128-2 | 31353-0128-2 | 31353-0205-2 | 31353-0205-2 | 31353-0205-2 |
| | 1 | Seal ring, FPM | 31353-0128-3 | 31353-0128-3 | 31353-0128-3 | 31353-0205-3 | 31353-0205-3 | 31353-0205-3 |
| Stem seal | | | | | | | | |
| 14d | 1 | Washer | 31353-0452-1 | 31353-0452-1 | 31353-0452-1 | 31353-0452-2 | 31353-0452-2 | 31353-0452-2 |
| e ● | 1 | O-ring FEP/Silicone | 9611-99-2909 | 9611-99-2909 | 9611-99-2909 | 9611-99-2910 | 9611-99-2910 | 9611-99-2910 |
| f | 1 | Holder | 31353-0453-1 | 31353-0453-1 | 31353-0453-1 | 31353-0454-1 | 31353-0454-1 | 31353-0454-1 |
| g ● | 1 | Valve body packing | 31353-0451-1 | 31353-0451-1 | 31353-0451-1 | 31353-0451-2 | 31353-0451-2 | 31353-0451-2 |
| Service kits special lip seals (marked ●) | | | | | | | | |
| ● | | Service kit EPDM | 9611-92-0447 | 9611-92-0451 | 9611-92-0455 | 9611-92-0459 | 9611-92-0463 | 9611-92-0467 |
| ● | | Service kit NBR | 9611-92-0448 | 9611-92-0452 | 9611-92-0456 | 9611-92-0460 | 9611-92-0464 | 9611-92-0468 |
| ● | | Service kit FPM | 9611-92-0449 | 9611-92-0453 | 9611-92-0457 | 9611-92-0461 | 9611-92-0465 | 9611-92-0469 |
| ● | | Service kit FEP | 9611-92-0450 | 9611-92-0454 | 9611-92-0458 | 9611-92-0462 | 9611-92-0466 | 9611-92-0470 |

Recommended spare parts: Service kits.
900-089/1

Sanitary Remote-Controlled Valve Stop Valve - DN125-150 - Type SRC

8



Sanitary Remote-Controlled Valve Stop Valve - DN125-150 - Type SRC

Actuator

| Pos. | Qty. | Denomination | NC | NO |
|------|------|--------------------------|---------------------|---------------------|
| | | Actuator, complete | 9612-4657-01 | 9612-4657-02 |
| 1 | 1 | Cap | 9611-99-3060 | 9611-99-3060 |
| 2● | 1 | O-ring | 9611-99-3006 | 9611-99-3006 |
| 3 | 1 | Cylinder | 9612-4655-01 | 9612-4655-01 |
| 4● | 1 | Lock wire | 9612-3805-01 | 9612-3805-01 |
| 5● | 1 | O-ring | 9611-99-3008 | 9611-99-3008 |
| 6 | 1 | Piston | 9612-4411-01 | 9612-4411-02 |
| 7● | 1 | O-ring | 9611-99-2892 | 9611-99-2892 |
| 8 | 1 | Bonnet | 9612-5080-01 | 9612-5080-01 |
| 9 | 1 | Plug | 31353-0154-1 | 31353-0154-1 |
| 10 | 1 | Spring packet | 9612-4413-01 | 9612-4413-01 |
| 21● | 1 | Guide ring | 9612-2926-16 | 9612-2926-16 |
| 22● | 1 | Guide ring | 9612-2926-23 | 9612-2926-23 |
| 23 | 1 | Top pin | 9612-4408-01 | 9612-4408-01 |
| 24● | 1 | O-ring | 9611-99-3012 | 9611-99-3012 |
| 26 | 1 | Air fitting | 9611-99-1988 | 9611-99-1988 |
| 25● | 1 | Guide ring | 9612-2926-20 | 9612-2926-20 |
| 27● | 1 | Guide ring | 9612-2926-21 | 9612-2926-21 |
| ● | | Service kit | 9611-92-0296 | 9611-92-0296 |

Parts marked with ● are included in the **service kit**.

Valve Body Part

| Pos. | Qty. | Denomination | DN 125 | DN 150 |
|------|------|---------------------------------|--------------|--------------|
| 14Δ | 1 | Lip seal, EPDM (standard) | 9612-3204-07 | 9612-3204-07 |
| | 1 | Lip seal, NBR | 9612-3204-08 | 9612-3204-08 |
| | 1 | Lip seal, FPM | 9612-3204-09 | 9612-3204-09 |

Clamp

| | | | | |
|----|---|----------------------|---------------|---------------|
| 15 | 1 | Clamp complete | 9611-31-105-8 | 9611-31-105-8 |
|----|---|----------------------|---------------|---------------|

Valve Body

| | | | | |
|-----|---|---|--------------|--------------|
| 17Δ | 1 | Valve body seal ring, EPDM (standard) | 9611-99-2937 | 9611-99-2937 |
| | 1 | Valve body seal ring, NBR | 9611-99-2938 | 9611-99-2938 |
| | 1 | Valve body seal ring, FPM | 9611-99-2939 | 9611-99-2939 |
| 18 | 1 | Valve body, 2 ports DIN | 9612-4405-01 | 9612-4406-01 |
| | 1 | Valve body, 3 ports DIN | 9612-4405-02 | 9612-4406-02 |

Valve Plug

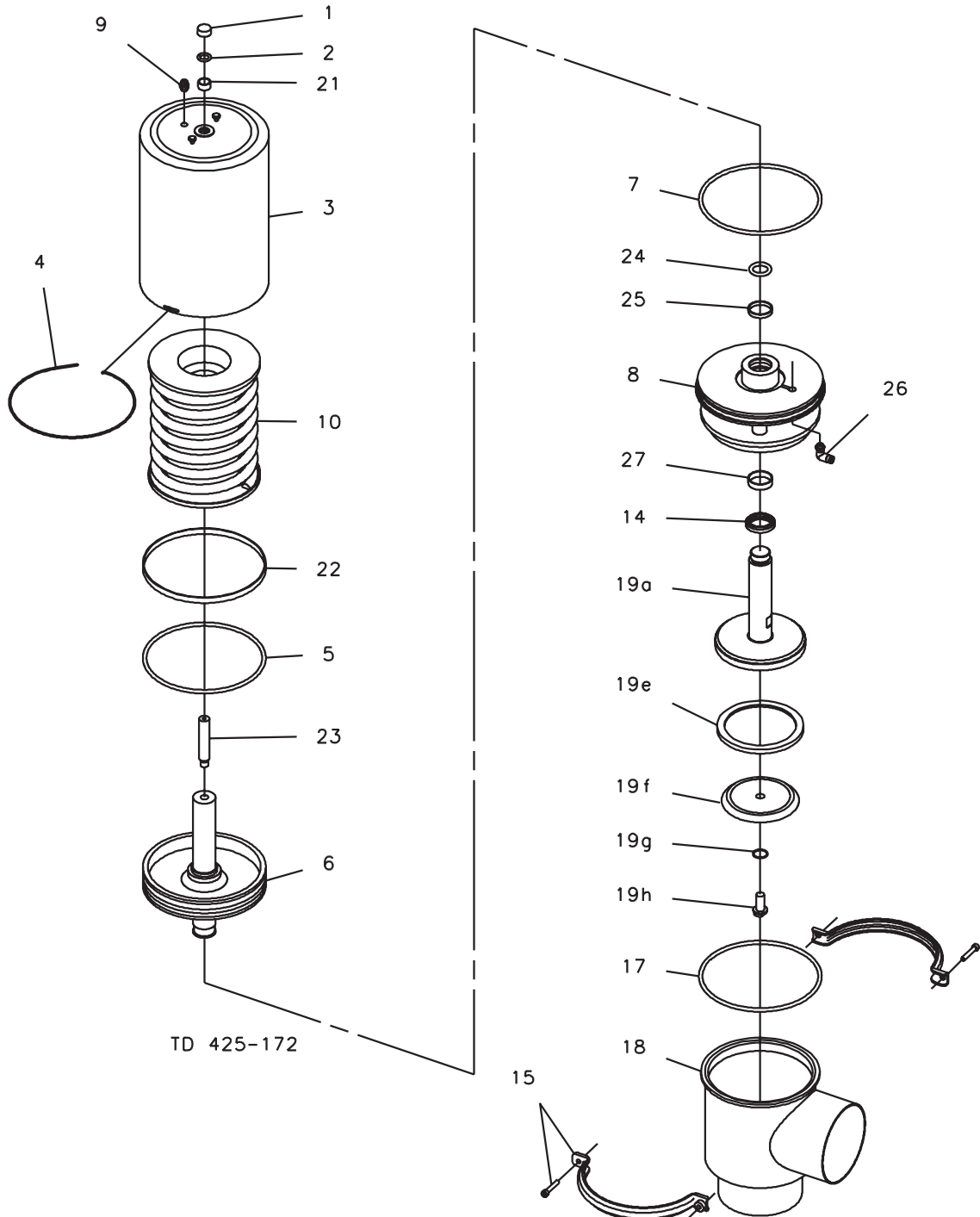
| | | | | |
|----|---|--|--------------|--------------|
| 19 | 1 | Plug, single, complete EPDM (standard) | 9612-4380-01 | 9612-4380-04 |
| | 1 | Plug, single, complete NBR | 9612-4380-02 | 9612-4380-05 |
| | 1 | Plug, single, complete FPM | 9612-4380-03 | 9612-4380-06 |
| a | 1 | Stem | 9612-4383-01 | 9612-4383-02 |
| eΔ | 1 | Seal ring, EPDM (standard) | 9612-4385-01 | 9612-4385-01 |
| | 1 | Seal ring, NBR | 9612-4385-02 | 9612-4385-02 |
| | 1 | Seal ring, FPM | 9612-4385-03 | 9612-4385-03 |
| f | 1 | Washer | 9612-4384-01 | 9612-4384-01 |
| gΔ | 1 | O-ring, EPDM (standard) | 9611-99-2674 | 9611-99-2674 |
| | 1 | O-ring, NBR | 9611-99-2675 | 9611-99-2675 |
| | 1 | O-ring, FPM | 9611-99-2676 | 9611-99-2676 |
| h | 1 | Screw | 9612-4387-01 | 9612-4387-01 |

Recommended spare parts: **Service kits**.

Sanitary Remote-Controlled Valve Stop Valve - DN125-150 - Type SRC

(Same drawing as on page 8)

10



Sanitary Remote-Controlled Valve Stop Valve - DN125-150 - Type SRC

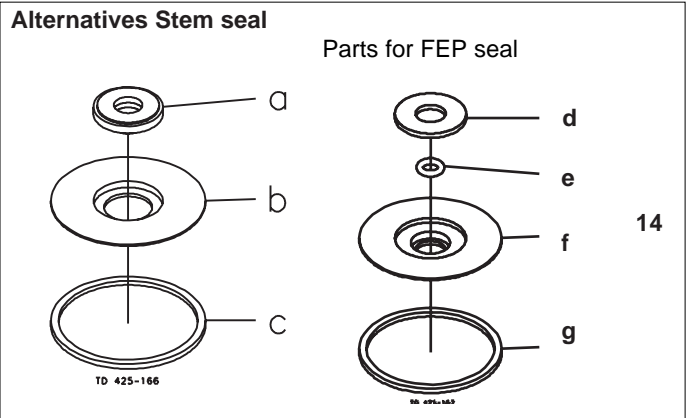
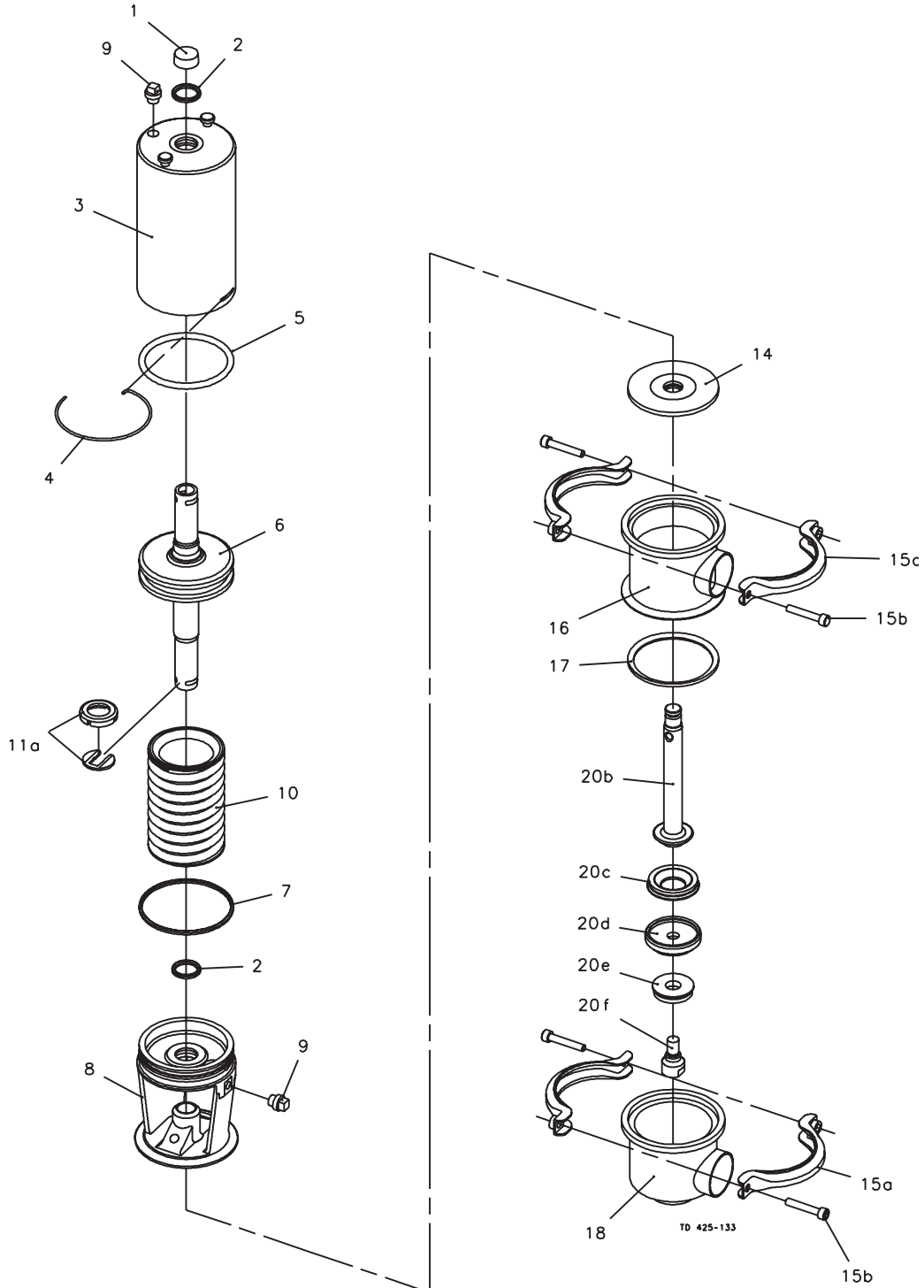
Surface roughness, product wetted parts: Ra ≤ 0.8 μm

| Pos. | Qty. | Denomination | DN 125 | DN 150 |
|-------------------|------|--|---------------------|---------------------|
| Valve Body | | | | |
| 18 | 1 | Valve body, 2 ports DIN | 9612-4405-03 | 9612-4406-03 |
| | 1 | Valve body, 3 ports DIN | 9612-4405-04 | 9612-4406-04 |
| Valve Plug | | | | |
| 19 | 1 | Plug,single,complete EPDM (standard) | 9612-4380-07 | 9612-4380-10 |
| | 1 | Plug,single,complete NBR | 9612-4380-08 | 9612-4380-11 |
| | 1 | Plug,single,complete FPM | 9612-4380-09 | 9612-4380-12 |
| a | 1 | Stem | 31353-1007-6 | 31353-1007-7 |
| f | 1 | Washer | 9612-4384-02 | 9612-4384-02 |
| h | 1 | Screw | 9612-4387-02 | 9612-4387-02 |
| Δ | | Service kit EPDM | 9611-92-0355 | 9611-92-0355 |
| Δ | | Service kit NBR | 9611-92-0356 | 9611-92-0356 |
| Δ | | Service kit FPM | 9611-92-0357 | 9611-92-0357 |

Parts marked with Δ are included in the **service kits**

Sanitary Remote-Controlled Valve Change-over Valve - 25 mm/DN25 - Type SRC

12



Sanitary Remote-Controlled Valve Change-over Valve - 25 mm/DN25 - Type SRC

ACTUATOR

| Pos. | Qty | Denomination | DN 25 25 mm |
|------|-----|--------------------------------------|---------------------|
| | | Actuator -1, complete (NO) | 31353-0206-1 |
| | | Actuator -2, complete (NC) | 31353-0206-2 |
| | | Actuator -3, complete (A/A) | 31353-0206-3 |
| 1 | 1 | Cap | 31801-0525-6 |
| 2Δ | 2 | O-ring | 223406-25 |
| 3 | 1 | Cylinder | 31353-0139-1 |
| 4Δ | 1 | Lock Wire | 31353-0151-1 |
| 5Δ | 1 | O-ring | 223401-74 |
| 6 | 1 | Piston -1, -2 | 31353-0621-1 |
| | 1 | Piston -3 | 31353-0621-2 |
| 7Δ | 1 | O-ring | 9611-99-0396 |
| 8 | 1 | Bonnet | 31353-0133-1 |
| 9* | 2 | Plug | 31353-0154-1 |
| 10a* | 1 | Spring assembly (standard black) .. | 31353-0625-1 |
| 10b* | 1 | Spring assembly with extra strong .. | 31353-0625-2 |
| | | spring (white). | |
| 11Δ | 1 | Clip, complete | 31353-0793-1 |
| Δ | | Service kit | 9611-92-0008 |

* Only for actuator -1 and -2.

Valve Body Part

| Pos. | Qty | Denomination | DN 25 25 mm |
|-------------------|-----|--------------------------------------|----------------|
| Stem Seal | | | |
| 14Δ | 1 | Lip seal, EPDM (standard) | 31353-0155-1 |
| | 1 | Lip seal, HNBR | 31353-0155-4 |
| | 1 | Lip seal, FPM | 31353-0155-3 |
| Clamp | | | |
| 15a+b2 | | Clamps and screws (Period 9209-) .. | 31320-0027-3 |
| Valve Body | | | |
| 16 | 1 | Valve body, upper, 1 port ISO | 9612-5991-01 |
| | 1 | Valve body, upper, 1 port DIN | 9612-5992-01 |
| 16 | 1 | Valve body, upper, 2 ports ISO | 9612-5991-02 |
| | 1 | Valve body, upper, 2 ports DIN | 9612-5992-02 |
| 17Δ ● | 1 | Valve body seal ring, EPDM | 31353-0128-1 |
| | | (standard) | |
| | 1 | Valve body seal ring, NBR | 31353-0128-2 |
| | 1 | Valve body seal ring, FPM | 31353-0128-3 |
| | 1 | Valve body packing, PTFE | 31353-0451-1 |
| 18 | 1 | Valve body, lower, 2 ports ISO | 9612-5987-01 |
| | 1 | Valve body, lower, 2 ports DIN | 9612-5988-01 |
| 18 | 1 | Valve body, lower, 3 ports ISO | 9612-5987-02 |
| | 1 | Valve body, lower, 3 ports DIN | 9612-5988-02 |
| Valve Plug | | | |
| 20 | 1 | Plug,double,complete EPDM | 9612-6006-01 |
| | | (standard) | |
| | 1 | Plug,double,complete NBR | 9612-6006-02 |
| | 1 | Plug,double,complete FPM | 9612-6006-03 |
| b | 1 | Stem | 9612-6004-01 |
| cΔ ● | 1 | Seal ring, upper, EPDM (standard) .. | 31353-0320-1 |
| | 1 | Seal ring, upper, NBR | 31353-0320-2 |
| | 1 | Seal ring, upper, FPM | 31353-0320-3 |
| | 1 | Packing upper, PTFE | 31353-1211-1 |
| d | 1 | Middle piece | 9612-6005-01 |
| eΔ ● | 1 | Seal ring, lower, EPDM (standard) .. | 9612-5996-01 |
| | 1 | Seal ring, lower, NBR | 9612-5996-02 |
| | 1 | Seal ring, lower, FPM | 9612-5996-03 |
| | 1 | Packing, PTFE | 9612-6279-01 |
| f | 1 | Screw | 9612-5997-01 |

Valve Body with 0.8 Ra finish inside

| | | | |
|----|---|--------------------------------------|--------------|
| 16 | 1 | Valve body, upper, 1 port ISO | 9612-5991-03 |
| | 1 | Valve body, upper, 1 port DIN | 9612-5992-03 |
| 16 | 1 | Valve body, upper, 2 ports ISO | 9612-5991-04 |
| | 1 | Valve body, upper, 2 ports DIN | 9612-5992-04 |
| 18 | 1 | Valve body, lower, 2 ports ISO | 9612-5987-03 |
| | 1 | Valve body, lower, 2 ports DIN | 9612-5988-03 |
| 18 | 1 | Valve body, lower, 3 ports ISO | 9612-5987-04 |
| | 1 | Valve body, lower, 3 ports DIN | 9612-5988-04 |

Valve Plug with 0.8 Ra finish

| | | | |
|----|---|---------------------------------|--------------|
| 20 | 1 | Plug,double,complete EPDM | 9612-6006-04 |
| | | (standard) | |
| | 1 | Plug,double,complete NBR | 9612-6006-05 |
| | 1 | Plug,double,complete FPM | 9612-6006-06 |
| b | 1 | Stem | 31353-1008-9 |
| d | 1 | Middle piece | 9612-6005-02 |
| f | 1 | Screw | 9612-5997-02 |

| | | | |
|---|--|-------------------------------|---------------------|
| Δ | | Service kit EPDM | 9611-92-0542 |
| Δ | | Service kit NBR | 9611-92-0543 |
| Δ | | Service kit FPM | 9611-92-0544 |

Parts marked with Δ are included in the service kits.

Alternatives

| | | | |
|------------------|---|-------------------------------------|--------------|
| Stem seal | | | |
| 14 | 1 | Lip seal kit, EPDM (standard) | 9611-92-0078 |
| | 1 | Lip seal kit, NBR | 9611-92-0079 |
| | 1 | Lip seal kit, FPM | 9611-92-0080 |
| a● | 1 | Lip seal, EPDM | 9612-2806-01 |
| | 1 | Lip seal, NBR | 9612-2806-02 |
| | 1 | Lip seal, FPM | 9612-2806-03 |
| b | 1 | Plate | 9612-2805-01 |
| c● | 1 | Seal ring, EPDM | 31353-0128-1 |
| | 1 | Seal ring, NBR | 31353-0128-2 |
| | 1 | Seal ring, FPM | 31353-0128-3 |
| Stem seal | | | |
| 14d | 1 | Washer | 31353-0452-1 |
| e● | 1 | O-ring FEP/Silicone | 9611-99-2909 |
| f | 1 | Holder | 31353-0453-1 |
| g● | 1 | Valve body packing | 31353-0451-1 |

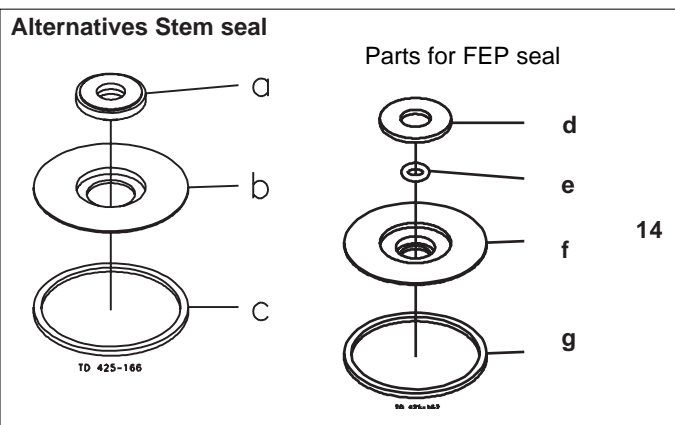
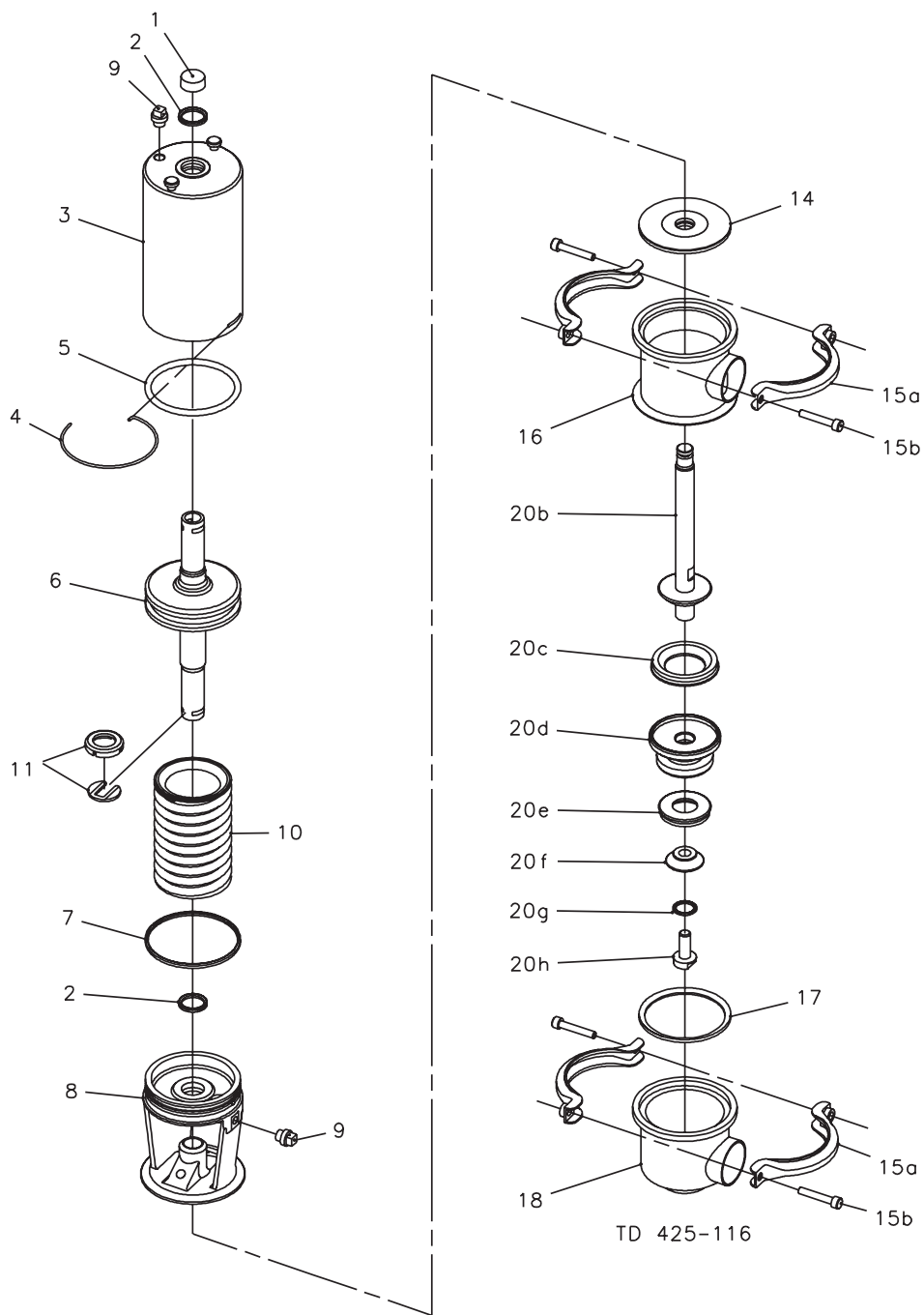
Service kits special lip seals (marked ●)

| | | | |
|---|--|-------------------------------|---------------------|
| ● | | Service kit EPDM | 9611-92-0545 |
| ● | | Service kit NBR | 9611-92-0546 |
| ● | | Service kit FPM | 9611-92-0547 |
| ● | | Service kit FEP | 9611-92-0548 |

Recommended spare parts: Service kits.
900-091/1

Sanitary Remote-Controlled Valve Change-over Valve - 38-101.6 mm/DN40-100 - Type SRC

14



Sanitary Remote-Controlled Valve Change-over Valve - 38-101.6 mm/DN40-100 - Type SRC

ACTUATOR

| Pos. | Qty | Denomination | DN 40 38 mm | DN 50 51 mm | DN65 63.5 mm | 76 mm | DN 80 | DN 100 101.6 mm |
|------|-----|--------------------------------------|---------------------|---------------------|---------------------|---------------------|---------------------|---------------------|
| | | Actuator -1, complete (NO) | 31353-0206-1 | 31353-0206-1 | 31353-0206-1 | 31353-0214-1 | 31353-0214-1 | 31353-0214-1 |
| | | Actuator -2, complete (NC) | 31353-0206-2 | 31353-0206-2 | 31353-0206-2 | 31353-0214-2 | 31353-0214-2 | 31353-0214-2 |
| | | Actuator -3, complete (A/A) | 31353-0206-3 | 31353-0206-3 | 31353-0206-3 | 31353-0214-3 | 31353-0214-3 | 31353-0214-3 |
| 1 | 1 | Cap | 31801-0525-6 | 31801-0525-6 | 31801-0525-6 | 31801-0525-5 | 31801-0525-5 | 31801-0525-5 |
| 2Δ | 2 | O-ring | 223406-25 | 223406-25 | 223406-25 | 223406-49 | 223406-49 | 223406-49 |
| 3 | 1 | Cylinder | 31353-0139-1 | 31353-0139-1 | 31353-0139-1 | 31353-0185-1 | 31353-0185-1 | 31353-0185-1 |
| 4Δ | 1 | Lock Wire | 31353-0151-1 | 31353-0151-1 | 31353-0151-1 | 31353-0189-1 | 31353-0189-1 | 31353-0189-1 |
| 5Δ | 1 | O-ring | 223401-74 | 223401-74 | 223401-74 | 223401-75 | 223401-75 | 223401-75 |
| 6 | 1 | Piston -1, -2 | 31353-0621-1 | 31353-0621-1 | 31353-0621-1 | 31353-0619-1 | 31353-0619-1 | 31353-0619-1 |
| | 1 | Piston -3 | 31353-0621-2 | 31353-0621-2 | 31353-0621-2 | 31353-0619-2 | 31353-0619-2 | 31353-0619-2 |
| 7Δ | 1 | O-ring | 9611-99-0396 | 9611-99-0396 | 9611-99-0396 | 223406-17 | 223406-17 | 223406-17 |
| 8 | 1 | Bonnet | 31353-0133-1 | 31353-0133-1 | 31353-0133-1 | 31353-0190-1 | 31353-0190-1 | 31353-0190-1 |
| 9* | 2 | Plug | 31353-0154-1 | 31353-0154-1 | 31353-0154-1 | 31353-0154-1 | 31353-0154-1 | 31353-0154-1 |
| 10a* | 1 | Spring assembly | 31353-0625-1 | 31353-0625-1 | 31353-0625-1 | 31353-0622-1 | 31353-0622-1 | 31353-0622-1 |
| | | (standard black) | | | | | | |
| 10b* | 1 | Spring assembly with | 31353-0625-2 | 31353-0625-2 | 31353-0625-2 | 31353-0622-2 | 31353-0622-2 | 31353-0622-2 |
| | | extra strong spring (white). | | | | | | |
| 11aΔ | 1 | Clip, complete (period 84.08-) | 31353-0793-1 | 31353-0793-1 | 31353-0793-1 | 31353-0793-2 | 31353-0793-2 | 31353-0793-2 |
| 11b | 1 | Clip, (period 68.02 - 84.07) | 31353-0130-1 | 31353-0130-1 | 31353-0130-1 | 31353-0130-1 | 31353-0130-1 | 31353-0130-1 |
| Δ | | Service kit | 9611-92-0008 | 9611-92-0008 | 9611-92-0008 | 9611-92-0009 | 9611-92-0009 | 9611-92-0009 |

* Only for actuator -1 and -2.

Alternatives

| | | | |
|--|--------------|--------------|--------------|
| Special actuator (dia 133mm) -1, complete (NO) | 31353-0504-1 | 31353-0504-1 | 31353-0504-1 |
| Special actuator (dia 133mm) -2, complete (NC) | 31353-0504-2 | 31353-0504-2 | 31353-0504-2 |
| Special actuator (dia 133mm) -3, complete (A/A) | 31353-0504-3 | 31353-0504-3 | 31353-0504-3 |

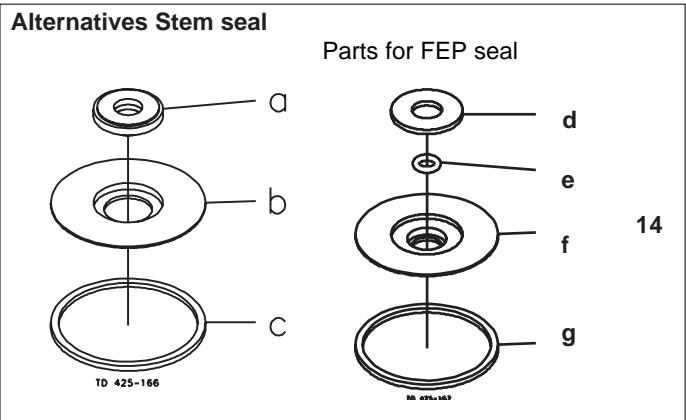
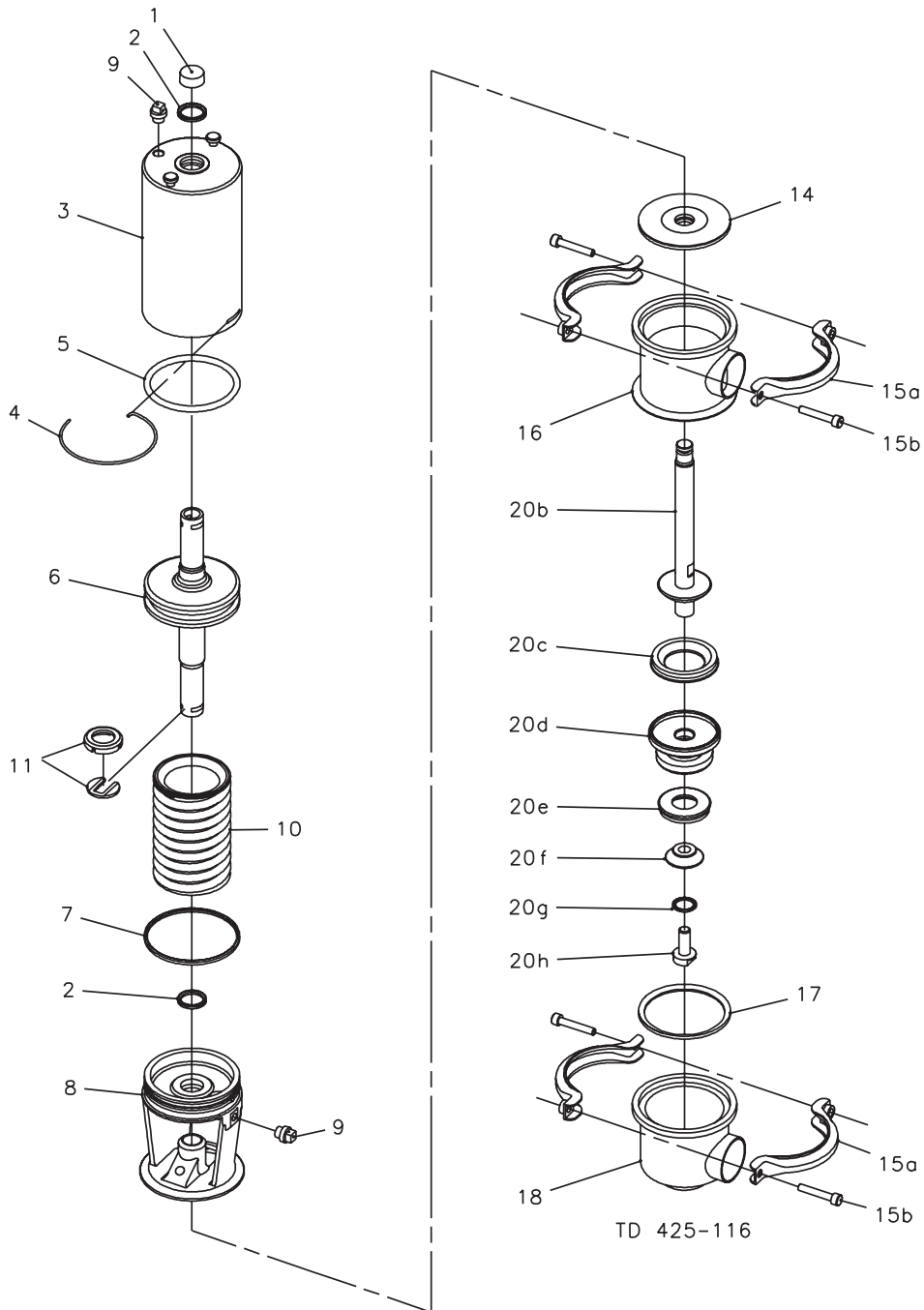
Valve Body Part

| Pos. | Qty | Denomination | DN 40 38 mm | DN 50 51 mm | DN65 63.5 mm | 76 mm | DN 80 | DN 100 101.6 mm |
|-------------------|-----|--------------------------------------|----------------|----------------|-----------------|--------------|--------------|--------------------|
| Stem Seal | | | | | | | | |
| 14Δ | 1 | Lip seal, EPDM (standard) | 31353-0155-1 | 31353-0155-1 | 31353-0155-1 | 31353-0188-1 | 31353-0188-1 | 31353-0188-1 |
| | 1 | Lip seal, NBR | 31353-0155-2 | 31353-0155-2 | 31353-0155-2 | 31353-0188-2 | 31353-0188-2 | 31353-0188-2 |
| | 1 | Lip seal, FPM | 31353-0155-3 | 31353-0155-3 | 31353-0155-3 | 31353-0188-3 | 31353-0188-3 | 31353-0188-3 |
| Clamp | | | | | | | | |
| 15a+b | 2 | Clamps and screws | 31320-0027-3 | 31320-0027-3 | 31320-0027-3 | 31320-0027-2 | 31320-0027-2 | 31320-0027-2 |
| | | (Period 9209-) | | | | | | |
| 15a | 4 | Clamp half (Period -9209) | 31320-0022-1 | 31320-0022-1 | 31320-0022-1 | 31320-0021-1 | 31320-0021-1 | 31320-0021-1 |
| 15b | 4 | Screw (Period -9209) | 2210936-18 | 2210936-18 | 2210936-18 | 2210936-18 | 2210936-18 | 2210936-18 |
| Valve Body | | | | | | | | |
| 16 | 1 | Valve body, upper, 1 port ISO | 31353-0053-1 | 31353-0054-1 | 31353-0055-1 | 31353-0056-1 | | 31353-0058-1 |
| | 1 | Valve body, upper, 1 port DN | 9612-0945-01 | 9612-0946-01 | 9612-0947-01 | | 9612-0948-01 | 9612-0949-01 |
| 16 | 1 | Valve body, upper, 2 ports ISO | 31353-0053-6 | 31353-0054-6 | 31353-0055-6 | 31353-0056-6 | | 31353-0058-6 |
| | 1 | Valve body, upper, 2 ports DN | 9612-0945-02 | 9612-0946-02 | 9612-0947-02 | | 9612-0948-02 | 9612-0949-02 |
| 17Δ ● | 1 | Valve body seal ring, EPDM | 31353-0128-1 | 31353-0128-1 | 31353-0128-1 | 31353-0205-1 | 31353-0205-1 | 31353-0205-1 |
| | 1 | Valve body seal ring, NBR | 31353-0128-2 | 31353-0128-2 | 31353-0128-2 | 31353-0205-2 | 31353-0205-2 | 31353-0205-2 |
| | 1 | Valve body seal ring, FPM | 31353-0128-3 | 31353-0128-3 | 31353-0128-3 | 31353-0205-3 | 31353-0205-3 | 31353-0205-3 |
| | 1 | Valve body packing, PTFE | 31353-0451-1 | 31353-0451-1 | 31353-0451-1 | 31353-0451-2 | 31353-0451-2 | 31353-0451-2 |
| 18 | 1 | Valve body, lower, 2 ports ISO | 31353-0375-1 | 31353-0376-1 | 31353-0380-1 | 31353-0381-1 | | 31353-0026-1 |
| | 1 | Valve body, lower, 2 ports DN | 9612-0940-01 | 9612-0941-01 | 9612-0942-01 | | 9612-0943-01 | 9612-0944-01 |
| 18 | 1 | Valve body, lower, 3 ports ISO | 31353-0375-6 | 31353-0376-6 | 31353-0380-6 | 31353-0381-6 | | 31353-0026-6 |
| | 1 | Valve body, lower, 3 ports DN | 9612-0940-02 | 9612-0941-02 | 9612-0942-02 | | 9612-0943-02 | 9612-0944-02 |
| Valve Plug | | | | | | | | |
| 20 | 1 | Plug, double, complete EPDM | 31353-0335-1 | 31353-0336-1 | 31353-0337-1 | 31353-0338-1 | 31353-0338-4 | 31353-0339-1 |
| | | (standard) | | | | | | |
| | 1 | Plug, double, complete NBR | 31353-0335-2 | 31353-0336-2 | 31353-0337-2 | 31353-0338-2 | 31353-0338-5 | 31353-0339-2 |
| | 1 | Plug, double, complete FPM | 31353-0335-3 | 31353-0336-3 | 31353-0337-3 | 31353-0338-3 | 31353-0338-6 | 31353-0339-3 |
| b | 1 | Stem | 31353-0349-1 | 31353-0349-2 | 31353-0349-3 | 31353-0350-1 | 31353-0350-3 | 31353-0350-2 |
| cΔ ● | 1 | Seal ring, upper, EPDM | 31353-0321-1 | 31353-0321-1 | 31353-0323-1 | 31353-0324-1 | 31353-0324-1 | 31353-0325-1 |
| | | (standard) | | | | | | |
| | 1 | Seal ring, upper, NBR | 31353-0321-2 | 31353-0321-2 | 31353-0323-2 | 31353-0324-2 | 31353-0324-2 | 31353-0325-2 |

Sanitary Remote-Controlled Valve Change-over Valve - 38-101.6 mm/DN40-100 - Type SRC

16

(Same drawing as on page 14)



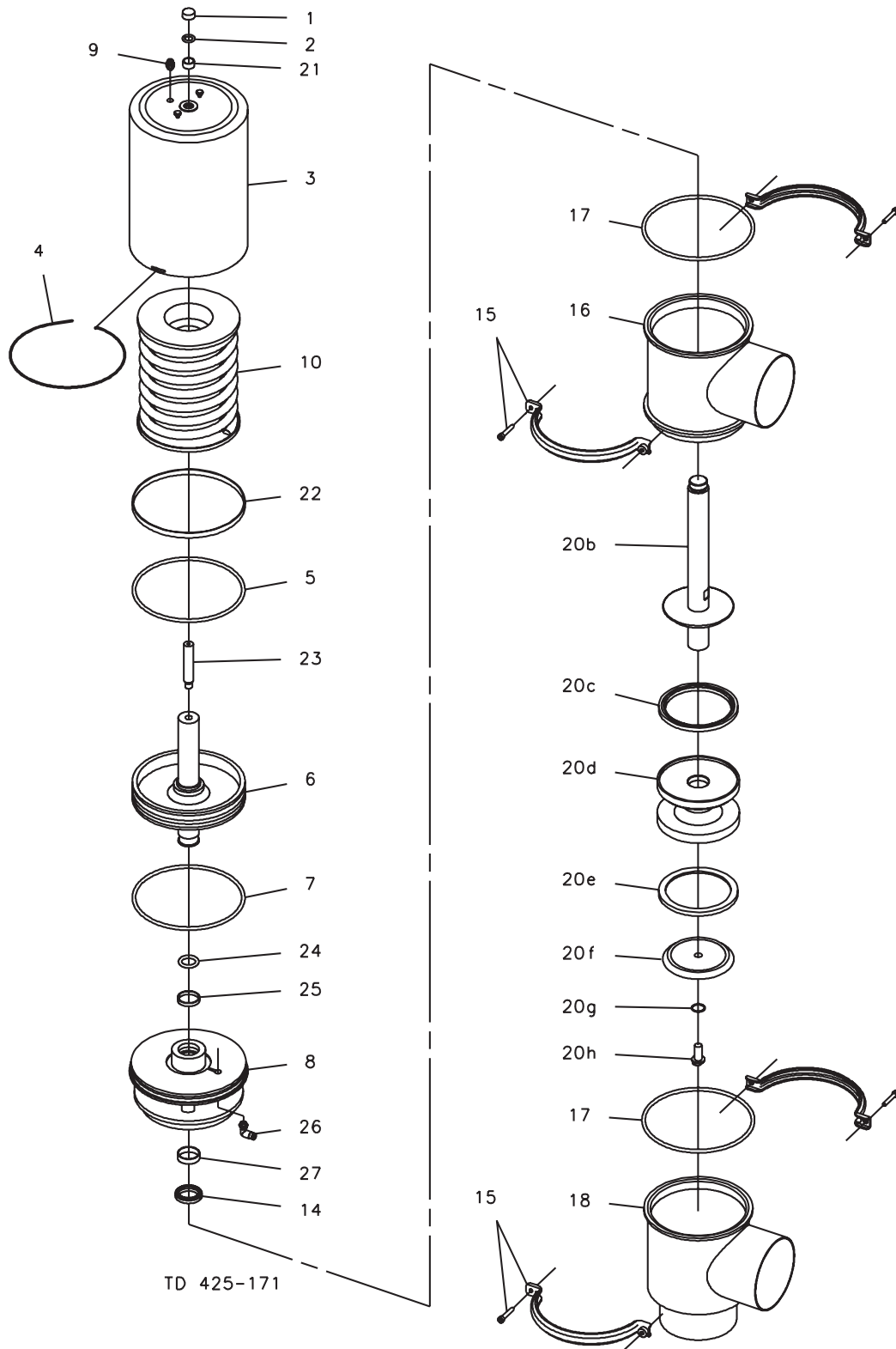
Sanitary Remote-Controlled Valve Change-over Valve - 38-101.6 mm/DN40-100 - Type SRC

| Pos. | Qty | Denomination | DN 40 38 mm | DN 50 51 mm | DN65 63.5 mm | 76 mm | DN 80 | DN 100 101.6 mm |
|--|-----|--------------------------------------|---------------------|---------------------|---------------------|---------------------|---------------------|---------------------|
| | 1 | Seal ring, upper, FPM | 31353-0321-3 | 31353-0321-3 | 31353-0323-3 | 31353-0324-3 | 31353-0324-3 | 31353-0325-3 |
| | 1 | Packing upper, PTFE | 31353-1212-1 | 31353-1212-1 | 31353-1216-1 | 31353-1214-1 | 31353-1214-1 | 31353-12151 |
| d | 1 | Middle piece | 31353-0363-1 | 31353-0364-1 | 31353-0365-1 | 31353-0366-1 | 9612-0984-01 | 31353-0367-1 |
| e▲● | 1 | Seal ring, lower, EPDM | 31353-0320-1 | 31353-0321-1 | 31353-0322-1 | 31353-0324-1 | 9612-0950-01 | 31353-0325-1 |
| | | (standard) | | | | | | |
| | 1 | Seal ring, lower, NBR | 31353-0320-2 | 31353-0321-2 | 31353-0322-2 | 31353-0324-2 | 9612-0950-02 | 31353-0325-2 |
| | 1 | Seal ring, lower, FPM | 31353-0320-3 | 31353-0321-3 | 31353-0322-3 | 31353-0324-3 | 9612-0950-03 | 31353-0325-3 |
| | 1 | Packing, PTFE | 31353-1211-1 | 31353-1212-1 | 31353-1213-1 | 31353-1214-1 | 31353-1225-1 | 31353-1215-1 |
| f | 1 | Washer | 31353-0357-1 | 31353-0358-1 | 31353-0359-1 | 31353-0360-1 | 31353-0360-2 | 31353-0361-1 |
| Valve Body with 0.8 Ra finish inside | | | | | | | | |
| g▲● | 1 | O-ring, EPDM (standard) | 990034-01 | 990034-01 | 990034-01 | 990034-01 | 990034-01 | 990034-01 |
| | 1 | O-ring, NBR | 223404-21 | 223404-21 | 223404-21 | 223404-21 | 223404-21 | 223404-21 |
| | 1 | O-ring, FPM | 223404-35 | 223404-35 | 223404-35 | 223404-35 | 223404-35 | 223404-35 |
| | 1 | Seal-ring PTFE | 9612-4330-01 | 9612-4330-01 | 9612-4330-01 | 9612-4330-01 | 9612-4330-01 | 9612-4330-01 |
| h | 1 | Screw | 31353-0362-1 | 31353-0362-1 | 31353-0362-1 | 31353-0362-1 | 31353-0362-1 | 31353-0362-1 |
| 16 | 1 | Valve body, upper, 1 port ISO | 31353-0053-2 | 31353-0054-2 | 31353-0055-2 | 31353-0056-2 | | 31353-0058-2 |
| | 1 | Valve body, upper, 1 port DN | 9612-0945-03 | 9612-0946-03 | 9612-0947-03 | | 9612-0948-03 | 9612-0949-03 |
| 16 | 1 | Valve body, upper, 2 ports ISO | 31353-0053-3 | 31353-0054-3 | 31353-0055-3 | 31353-0056-3 | | 31353-0058-3 |
| | 1 | Valve body, upper, 2 ports DN | 9612-0945-04 | 9612-0946-04 | 9612-0947-04 | | 9612-0948-04 | 9612-0949-04 |
| 18 | 1 | Valve body, lower, 2 ports ISO | 31353-0375-2 | 31353-0376-2 | 31353-0380-2 | 31353-0381-2 | | 31353-0026-2 |
| | 1 | Valve body, lower, 2 ports DN | 9612-0940-03 | 9612-0941-03 | 9612-0942-03 | | 9612-0943-03 | 9612-0944-03 |
| 18 | 1 | Valve body, lower, 3 ports ISO | 31353-0375-3 | 31353-0376-3 | 31353-0380-3 | 31353-0381-3 | | 31353-0026-3 |
| | 1 | Valve body, lower, 3 ports DN | 9612-0940-04 | 9612-0941-04 | 9612-0942-04 | | 9612-0943-04 | 9612-0944-04 |
| Valve Plug with 0.8 Ra finish | | | | | | | | |
| 20 | 1 | Plug, double, complete EPDM | 31353-1095-1 | 31353-1096-1 | 31353-1097-1 | 31353-1098-1 | 31353-1098-4 | 31353-1099-1 |
| | | (standard) | | | | | | |
| | 1 | Plug, double, complete NBR | 31353-1095-2 | 31353-1096-2 | 31353-1097-2 | 31353-1098-2 | 31353-1098-5 | 31353-1099-2 |
| | 1 | Plug, double, complete FPM | 31353-1095-3 | 31353-1096-3 | 31353-1097-3 | 31353-1098-3 | 31353-1098-6 | 31353-1099-3 |
| b | 1 | Stem | 31353-1008-1 | 31353-1008-2 | 31353-1008-3 | 31353-1008-4 | 31353-1008-8 | 31353-1008-5 |
| d | 1 | Middle piece | 31353-1009-1 | 31353-1009-2 | 31353-1009-3 | 31353-1009-4 | 9612-1009-06 | 31353-1009-5 |
| f | 1 | Washer | 31353-1010-1 | 31353-1010-2 | 31353-1010-3 | 31353-1010-4 | 31353-1010-6 | 31353-1010-5 |
| h | 1 | Screw | 31353-1011-1 | 31353-1011-1 | 31353-1011-1 | 31353-1011-1 | 31353-1011-1 | 31353-1011-1 |
| ▲ | | Service kit EPDM | 9611-92-0025 | 9611-92-0028 | 9611-92-0031 | 9611-92-0034 | 9611-92-0108 | 9611-92-0037 |
| ▲ | | Service kit NBR | 9611-92-0026 | 9611-92-0029 | 9611-92-0032 | 9611-92-0035 | 9611-92-0109 | 9611-92-0038 |
| ▲ | | Service kit FPM | 9611-92-0027 | 9611-92-0030 | 9611-92-0033 | 9611-92-0036 | 9611-92-0110 | 9611-92-0039 |
| Parts marked with ▲ are included in the service kits. | | | | | | | | |
| Alternatives | | | | | | | | |
| Stem seal | | | | | | | | |
| 14 | 1 | Lip seal kit, EPDM (standard) | 9611-92-0078 | 9611-92-0078 | 9611-92-0078 | 9611-92-0142 | 9611-92-0142 | 9611-92-0142 |
| | 1 | Lip seal kit, NBR | 9611-92-0079 | 9611-92-0079 | 9611-92-0079 | 9611-92-0143 | 9611-92-0143 | 9611-92-0143 |
| | 1 | Lip seal kit, FPM | 9611-92-0080 | 9611-92-0080 | 9611-92-0080 | 9611-92-0144 | 9611-92-0144 | 9611-92-0144 |
| a● | 1 | Lip seal, EPDM | 9612-2806-01 | 9612-2806-01 | 9612-2806-01 | 9612-3088-01 | 9612-3088-01 | 9612-3088-01 |
| | 1 | Lip seal, NBR | 9612-2806-02 | 9612-2806-02 | 9612-2806-02 | 9612-3088-02 | 9612-3088-02 | 9612-3088-02 |
| | 1 | Lip seal, FPM | 9612-2806-03 | 9612-2806-03 | 9612-2806-03 | 9612-3088-03 | 9612-3088-03 | 9612-3088-03 |
| b | 1 | Plate | 9612-2805-01 | 9612-2805-01 | 9612-2805-01 | 9612-3087-01 | 9612-3087-01 | 9612-3087-01 |
| c● | 1 | Seal ring, EPDM | 31353-0128-1 | 31353-0128-1 | 31353-0128-1 | 31353-0205-1 | 31353-0205-1 | 31353-0205-1 |
| | 1 | Seal ring, NBR | 31353-0128-2 | 31353-0128-2 | 31353-0128-2 | 31353-0205-2 | 31353-0205-2 | 31353-0205-2 |
| | 1 | Seal ring, FPM | 31353-0128-3 | 31353-0128-3 | 31353-0128-3 | 31353-0205-3 | 31353-0205-3 | 31353-0205-3 |
| Stem seal | | | | | | | | |
| 14d | 1 | Washer | 31353-0452-1 | 31353-0452-1 | 31353-0452-1 | 31353-0452-2 | 31353-0452-2 | 31353-0452-2 |
| e● | 1 | O-ring FEP/Silicone | 9611-99-2909 | 9611-99-2909 | 9611-99-2909 | 9611-99-2910 | 9611-99-2910 | 9611-99-2910 |
| f | 1 | Holder | 31353-0453-1 | 31353-0453-1 | 31353-0453-1 | 31353-0454-1 | 31353-0454-1 | 31353-0454-1 |
| g● | 1 | Valve body packing | 31353-0451-1 | 31353-0451-1 | 31353-0451-1 | 31353-0451-2 | 31353-0451-2 | 31353-0451-2 |
| Service kits special lip seals (marked ●) | | | | | | | | |
| ● | | Service kit EPDM | 9611-92-0471 | 9611-92-0475 | 9611-92-0479 | 9611-92-0483 | 9611-92-0487 | 9611-92-0491 |
| ● | | Service kit NBR | 9611-92-0472 | 9611-92-0476 | 9611-92-0480 | 9611-92-0484 | 9611-92-0488 | 9611-92-0492 |
| ● | | Service kit FPM | 9611-92-0473 | 9611-92-0477 | 9611-92-0481 | 9611-92-0485 | 9611-92-0489 | 9611-92-0493 |
| ● | | Service kit FEP | 9611-92-0474 | 9611-92-0478 | 9611-92-0482 | 9611-92-0486 | 9611-92-0490 | 9611-92-0494 |

Recommended spare parts: Service kits.
900-092/1

Sanitary Remote-Controlled Valve Change-over Valve - DN125-150 - Type SRC

18



Sanitary Remote-Controlled Valve Change-over Valve - DN125-150 - Type SRC

Actuator

| Pos. | Qty. | Denomination | NC | NO |
|------|------|-------------------------------|---------------------|---------------------|
| | | Actuator, complete | 9612-4657-01 | 9612-4657-02 |
| 1 | 1 | Cap | 9611-99-3060 | 9611-99-3060 |
| 2● | 1 | O-ring | 9611-99-3006 | 9611-99-3006 |
| 3 | 1 | Cylinder | 9612-4655-01 | 9612-4655-01 |
| 4● | 1 | Lock wire | 9612-3805-01 | 9612-3805-01 |
| 5● | 1 | O-ring | 9611-99-3008 | 9611-99-3008 |
| 6 | 1 | Piston | 9612-4411-01 | 9612-4411-02 |
| 7● | 1 | O-ring | 9611-99-2892 | 9611-99-2892 |
| 8 | 1 | Bonnet | 9612-5080-01 | 9612-5080-01 |
| 9 | 1 | Plug | 31353-0154-1 | 31353-0154-1 |
| 10 | 1 | Spring packet | 9612-4413-01 | 9612-4413-01 |
| 21● | 1 | Guide ring | 9612-2926-16 | 9612-2926-16 |
| 22● | 1 | Guide ring | 9612-2926-23 | 9612-2926-23 |
| 23 | 1 | Top pin | 9612-4408-01 | 9612-4408-01 |
| 24● | 1 | O-ring | 9611-99-3012 | 9611-99-3012 |
| 26 | 1 | Air fitting | 9611-99-1988 | 9611-99-1988 |
| 25● | 1 | Guide ring | 9612-2926-20 | 9612-2926-20 |
| 27● | 1 | Guide ring | 9612-2926-21 | 9612-2926-21 |
| ● | | Service kit EPDM | 9611-92-0296 | 9611-92-0296 |

Parts marked with ● are included in the **service kit**.

Valve Body Part

| Pos. | Qty. | Denomination | DN 125 | DN 150 |
|------|------|---------------------------------|--------------|--------------|
| 14△● | 1 | Lip seal, EPDM (standard) | 9612-3204-07 | 9612-3204-07 |
| | 1 | Lip seal, NBR | 9612-3204-08 | 9612-3204-08 |
| | 1 | Lip seal, FPM | 9612-3204-09 | 9612-3204-09 |

Clamp

| | | | | |
|----|---|----------------------|---------------|---------------|
| 15 | 2 | Clamp complete | 9611-31-105-8 | 9611-31-105-8 |
|----|---|----------------------|---------------|---------------|

Valve Body

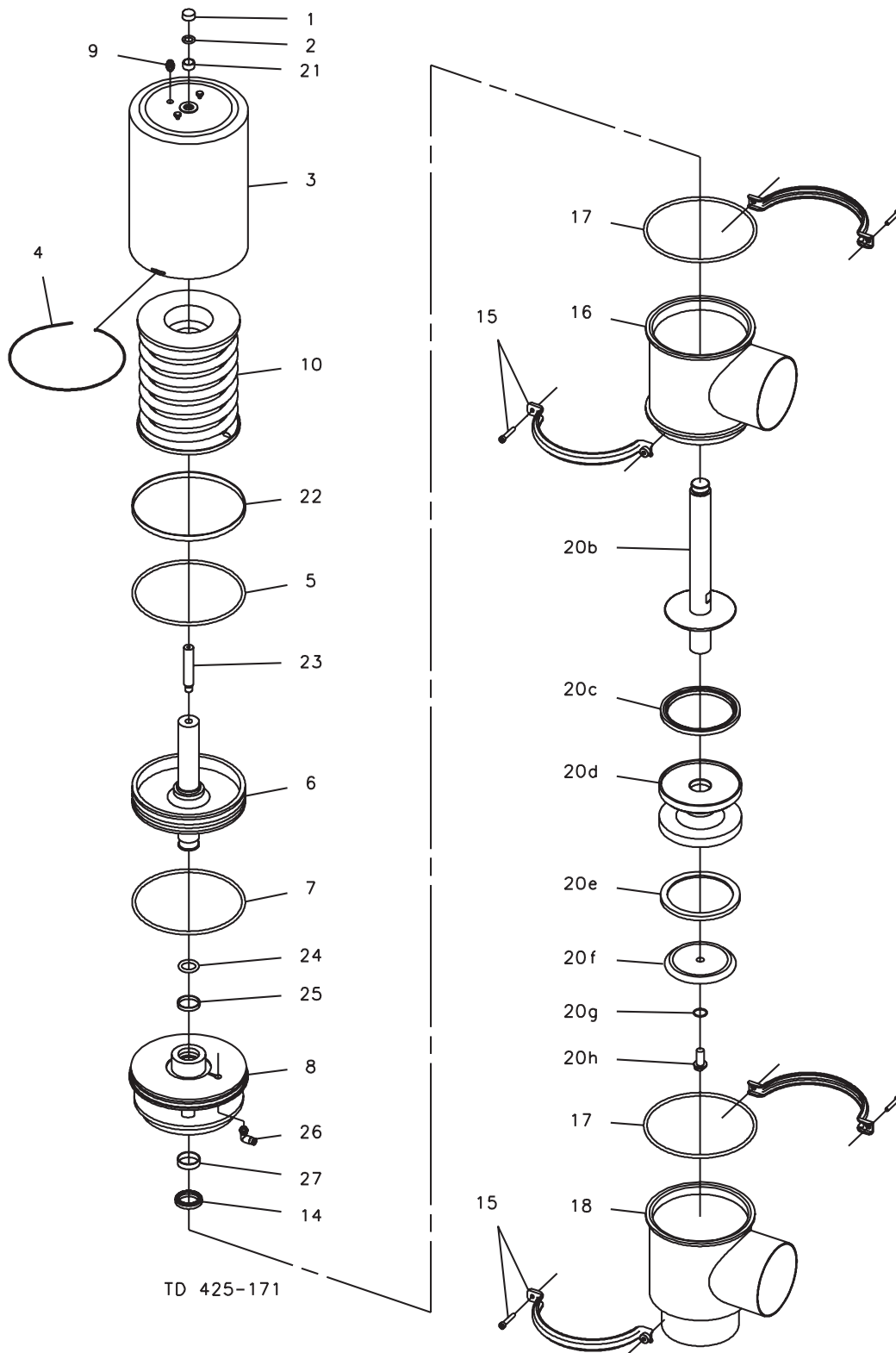
| | | | | |
|-----|---|---|--------------|--------------|
| 16 | 1 | Valve body, upper, 1 port DIN | 9612-4578-01 | 9612-4579-01 |
| | 1 | Valve body, upper, 2 ports DIN | 9612-4578-02 | 9612-4579-02 |
| 17△ | 2 | Valve body seal ring, EPDM (standard) | 9611-99-2937 | 9611-99-2937 |
| | 2 | Valve body seal ring, NBR | 9611-99-2938 | 9611-99-2938 |
| | 2 | Valve body seal ring, FPM | 9611-99-2939 | 9611-99-2939 |
| 18 | 1 | Valve body, lower, 2 ports DIN | 9612-4405-01 | 9612-4406-01 |
| | 1 | Valve body, lower, 3 ports DIN | 9612-4405-02 | 9612-4406-02 |

Recommended spare parts: **Service kits**.

Sanitary Remote-Controlled Valve Change-over Valve - DN125-150 - Type SRC

(Same drawing as on page 18)

20



Sanitary Remote-Controlled Valve Change-over Valve - DN125-150 - Type SRC

Valve Plug

| Pos. | Qty. | Denomination | DN 125 | DN 150 |
|------|------|---|--------------|--------------|
| 20 | 1 | Plug,double,complete, EPDM (standard) ... | 9612-4566-01 | 9612-4566-04 |
| | 1 | Plug,double,complete, NBR | 9612-4566-02 | 9612-4566-05 |
| | 1 | Plug,double,complete, FPM | 9612-4566-03 | 9612-4566-06 |
| b | 1 | Stem | 9612-4565-01 | 9612-4565-02 |
| cΔ | 1 | Seal ring, EPDM (standard) | 9612-4385-01 | 9612-4385-01 |
| | 1 | Seal ring, NBR | 9612-4385-02 | 9612-4385-02 |
| | 1 | Seal ring, FPM | 9612-4385-03 | 9612-4385-03 |
| d | 1 | Middle piece | 9612-4563-01 | 9612-4563-02 |
| eΔ | 1 | Seal ring, EPDM (standard) | 9612-4385-01 | 9612-4385-01 |
| | 1 | Seal ring, NBR | 9612-4385-02 | 9612-4385-02 |
| | 1 | Seal ring, FPM | 9612-4385-03 | 9612-4385-03 |
| f | 1 | Washer | 9612-4384-01 | 9612-4384-01 |
| gΔ | 1 | O-ring, EPDM (standard) | 9611-99-2674 | 9611-99-2674 |
| | 1 | O-ring, NBR | 9611-99-2675 | 9611-99-2675 |
| | 1 | O-ring, FPM | 9611-99-2676 | 9611-99-2676 |
| h | 1 | Screw | 9612-4387-01 | 9612-4387-01 |

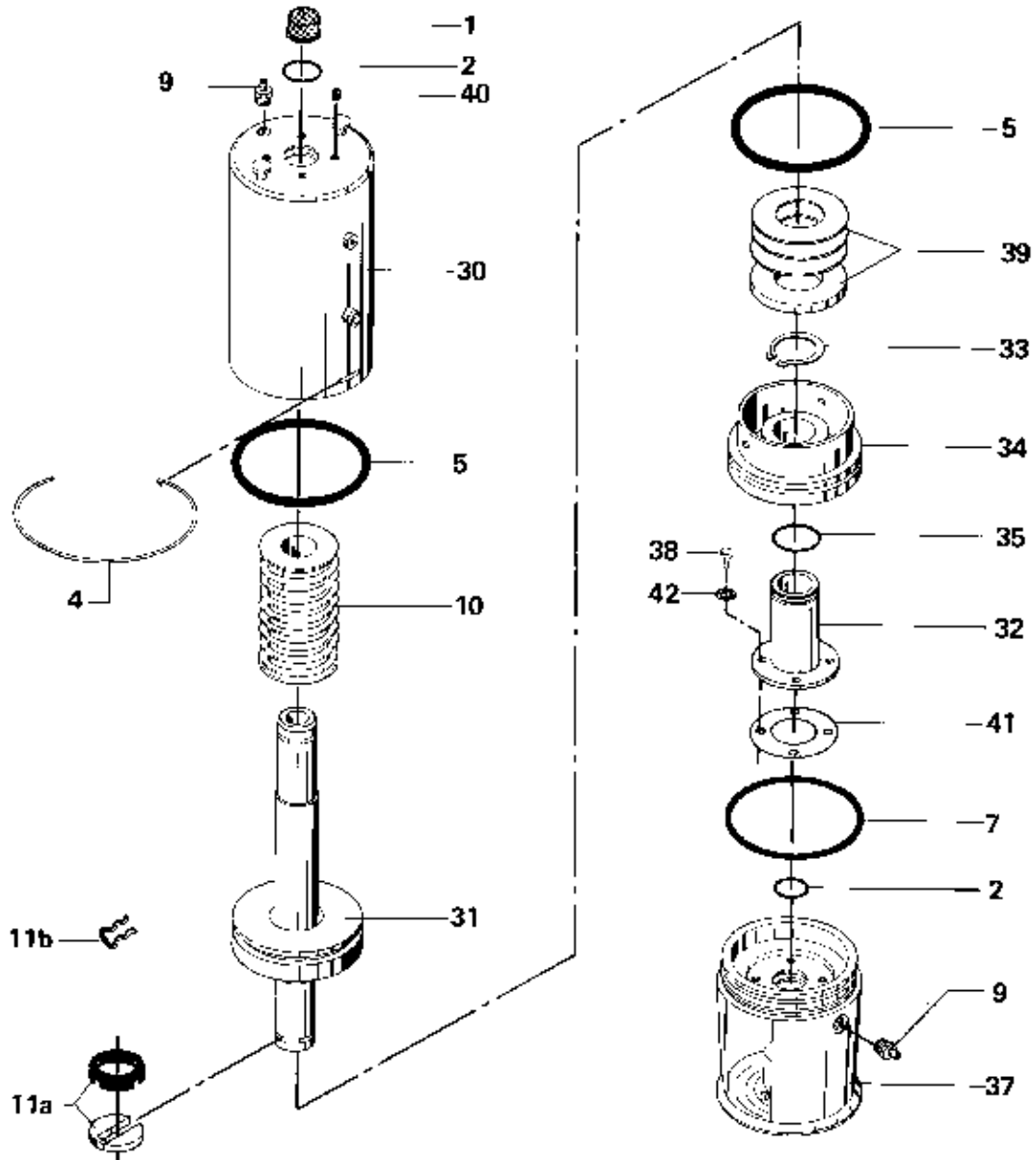
Surface roughness, product wetted parts: Ra ≤ 0.8 μm

| Pos. | Qty. | Denomination | DN 125 | DN 150 |
|-------------------|------|---|---------------------|---------------------|
| Valve Body | | | | |
| 16 | 1 | Valve body, upper, 1 port DIN | 9612-4578-01 | 9612-4579-01 |
| | 1 | Valve body, upper, 2 ports DIN | 9612-4578-02 | 9612-4579-02 |
| 18 | 1 | Valve body, lower, 2 ports DIN | 9612-4405-03 | 9612-4406-03 |
| | 1 | Valve body, lower, 3 ports DIN | 9612-4405-04 | 9612-4406-04 |
| Valve Plug | | | | |
| 20 | 1 | Plug,double,complete, EPDM (standard) ... | 9612-4566-07 | 9612-4566-10 |
| | 1 | Plug,double,complete, NBR | 9612-4566-08 | 9612-4566-11 |
| | 1 | Plug,double,complete, FPM | 9612-4566-09 | 9612-4566-12 |
| b | 1 | Stem | 31353-1008-6 | 31353-1008-7 |
| d | 1 | Middle piece | 9612-4563-03 | 9612-4563-04 |
| f | 1 | Washer | 9612-4384-02 | 9612-4384-02 |
| h | 1 | Screw | 9612-4387-02 | 9612-4387-02 |
| Δ | | Service kit EPDM | 9611-92-0358 | 9611-92-0358 |
| Δ | | Service kit NBR | 9611-92-0359 | 9611-92-0359 |
| Δ | | Service kit FPM | 9611-92-0360 | 9611-92-0360 |

Parts marked with Δ are included in the **service kits**

Sanitary Remote Controlled Valve Three Position and Two-step Valve - Type SRC

22



Sanitary Remote Controlled Valve Three Position and Two-step Valve - Type SRC

Valve body parts: See parts list for standard valve

| Pos. | Qty | Denomination | 38 - 63.5 mm | 76 - 101.6 mm |
|------|------|--|--------------|---------------|
| | | Actuator -6, complete | 31353-0447-1 | 31353-0448-1 |
| | | Actuator -7, complete | 31353-0447-2 | 31353-0448-2 |
| | | Actuator -8 (TS), complete | 31353-0490-1 | 31353-0490-2 |
| 1 | 1 | Cap | 31801-0525-6 | 31801-0525-5 |
| 2Δ | 2 | O-ring | 223406-25 | 223406-49 |
| 4Δ | 1 | Lock Wire | 31353-0151-1 | 31353-0189-1 |
| 5Δ | 2 | O-ring | 223401-74 | 223401-75 |
| 7Δ | 1 | O-ring | 9611-99-0396 | 223406-17 |
| 9 | 2 | Plug | 31353-0154-1 | 31353-0154-1 |
| 10a | 1 | Spring assembly (std. black) | 31353-0625-1 | 31353-0622-1 |
| 10b | 1 | Spring assembly with extra strong spring (white) | 31353-0625-2 | 31353-0622-2 |
| 11aΔ | 1 | Clip, complete (period 84.08 -) | 31353-0793-1 | 31353-0793-2 |
| 11b | 1 | Clip, (period 68.02 - 84.07) | 31353-0130-1 | 31353-0130-1 |
| 30 | 1 | Cylinder | 31353-0429-1 | 31353-0430-1 |
| 31 | 1 | Piston | 31353-0621-3 | 31353-0619-3 |
| 32 | 1 | Guide | 31353-0431-1 | 31353-0432-1 |
| 33Δ | 1 | Lock ring | 519975-08 | 519975-09 |
| 34 | 1 | Piston for intermediate position (in connection with the welded piston) (Period 83.03 -) | 31353-0425-3 | 31353-0426-3 |
| | 1 | Piston for intermediate position (in connection with piston for seeger-ring) (Period -83.03) | 31353-0425-1 | 31353-0426-1 |
| 35Δ | 1 | O-ring | 223406-87 | 223406-58 |
| 37 | 1 | Bonnet | 31353-0423-1 | 31353-0424-1 |
| | 1 | Bonnet aseptc version | 31353-0423-2 | 31353-0424-2 |
| 38 | 3-4* | Screw | 221131-03 | 221136-02 |
| 39 | 1 | Spacer ring for TS (6 mm) | 31353-0488-1 | |
| | 1 | Spacer ring for TS (7 mm) | 31353-0489-1 | |
| | 3-4* | Spacer ring for TS (1,5 mm) | 31353-0488-2 | 31353-0489-2 |
| 40 | 3-4* | Plastic screw | 9611-99-1372 | 9611-99-1371 |
| 41Δ | 1 | Packing | 9612-3559-01 | 9612-3560-01 |
| 42Δ | 3-4* | Fibre washer | 9611-99-2687 | 9611-99-2688 |

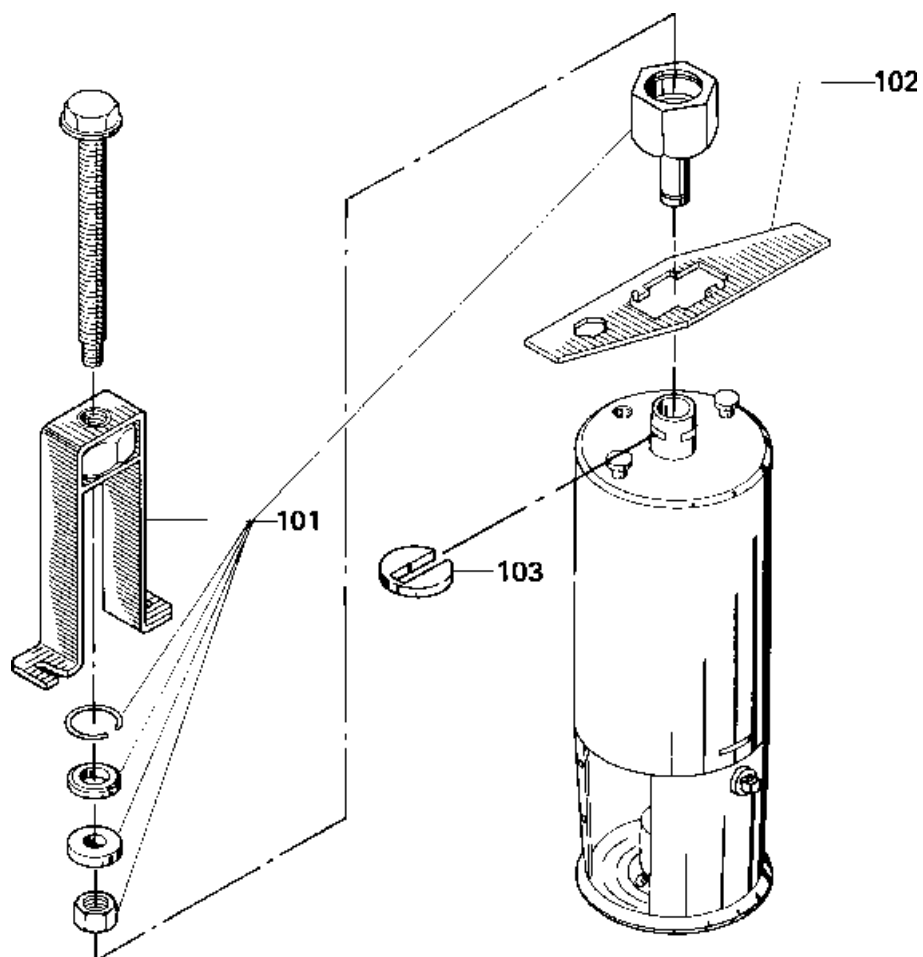
* .Quantity 4 is valid for 76-101,6 mm

Δ Service kit 9611-92-0111 9611-92-0112

Parts marked with Δ are included in the service kits

Tool for Valve
Type SRC/ARC/SRC-LS

24

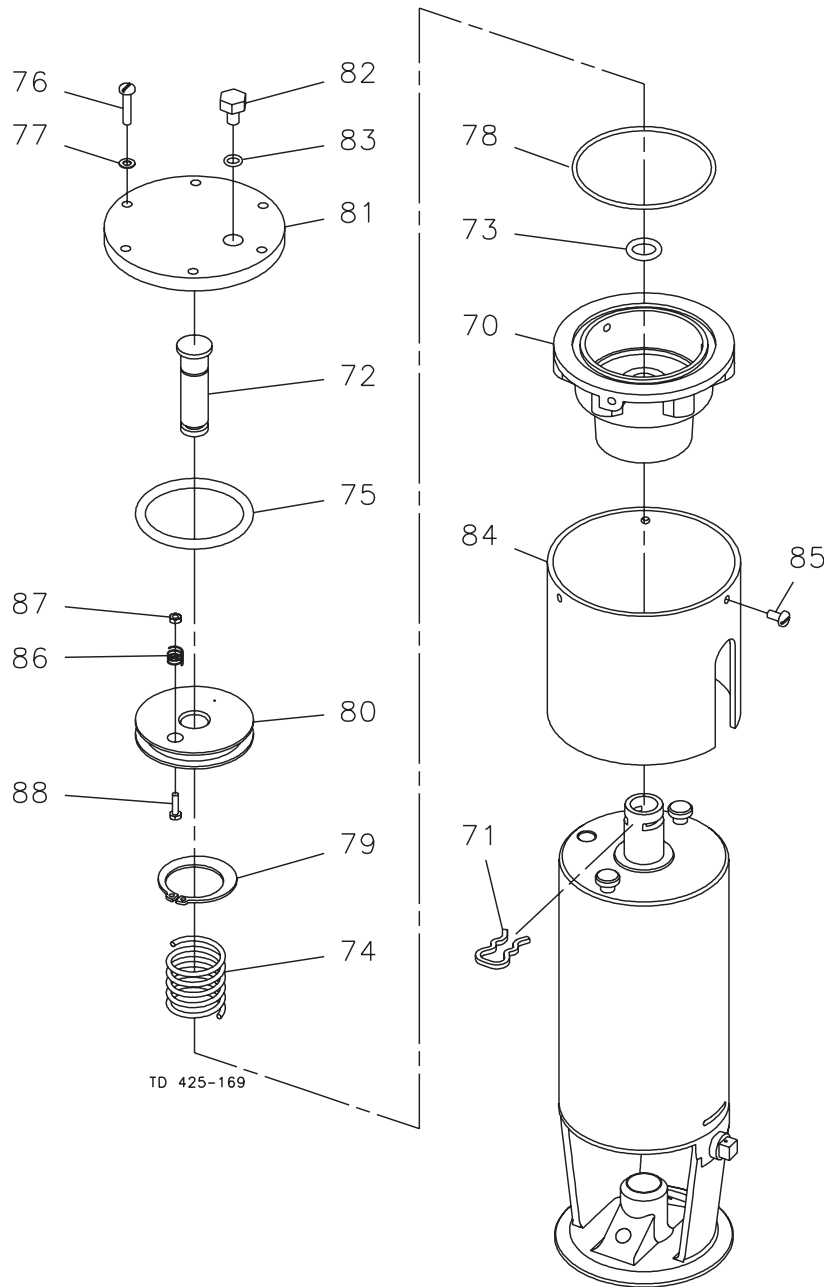


**Tool for Valve
Type SRC/ARC/SRC-LS**

| Pos. | Qty | Denomination |
|-------------|------------|---|
| 101 | 1 | Lifting tool complete, SRC 31353-0800-1 |
| 102 | 1 | Turning tool 31353-0219-1 |
| 103 | 1 | Clip 31353-0730-1 |

Damper for Valve Type SRC

26



Damper for Valve Type SRC

| Pos. | Qty | Denomination | 31353-0395-2 | 31353-0395-3 |
|------|-----|-----------------------|--------------|---------------|
| | | | 38 - 63.5 mm | 76 - 101.6 mm |
| 70 | 1 | Housing | 31353-0396-1 | 31353-0396-1 |
| 71 | 1 | Clip | 31353-0130-1 | 31353-0130-1 |
| 72 | 1 | Piston rod | 31353-0397-1 | 31353-0397-1 |
| 73 | 1 | O-ring, NBR | 223404-33 | 223404-33 |
| 74 | 1 | Spring | 31353-0399-1 | 31353-0399-1 |
| 75 | 1 | O-ring, NBR | 42153 | 42153 |
| 76 | 6 | Screw | 221121-15 | 221121-15 |
| 77 | 6 | Washer | 223101-30 | 223101-30 |
| 78 | 1 | O-ring, NBR | 223406-76 | 223406-76 |
| 79 | 1 | Lock ring | 223641-12 | 223641-12 |
| 80 | 1 | Piston | 31353-0398-1 | 31353-0398-1 |
| 81 | 1 | Cover | 31353-0400-1 | 31353-0400-1 |
| 82 | 1 | Plug | 75367 | 75367 |
| 83 | 1 | O-ring | 223403-26 | 223403-26 |
| 84 | 1 | Protective hood | 31353-0401-1 | 31353-0402-1 |
| 85 | 3 | Screw | 221121-48 | 221121-48 |
| 86 | 1 | Spring | 31353-0403-1 | 31353-0403-1 |
| 87 | 1 | Nut | 9611-99-2639 | 9611-99-2639 |
| 88 | 1 | Screw | 2214102-06 | 2214102-06 |

How to contact Alfa Laval

Contact details for all countries are continually updated on our website. Please visit www.alfalaval.com to access the information direct.