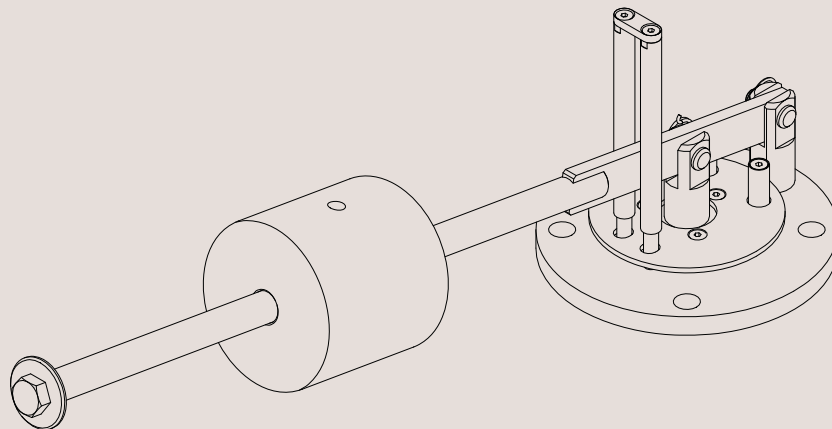




Spare Parts

Alfa Laval SB Pressure Relief Valve



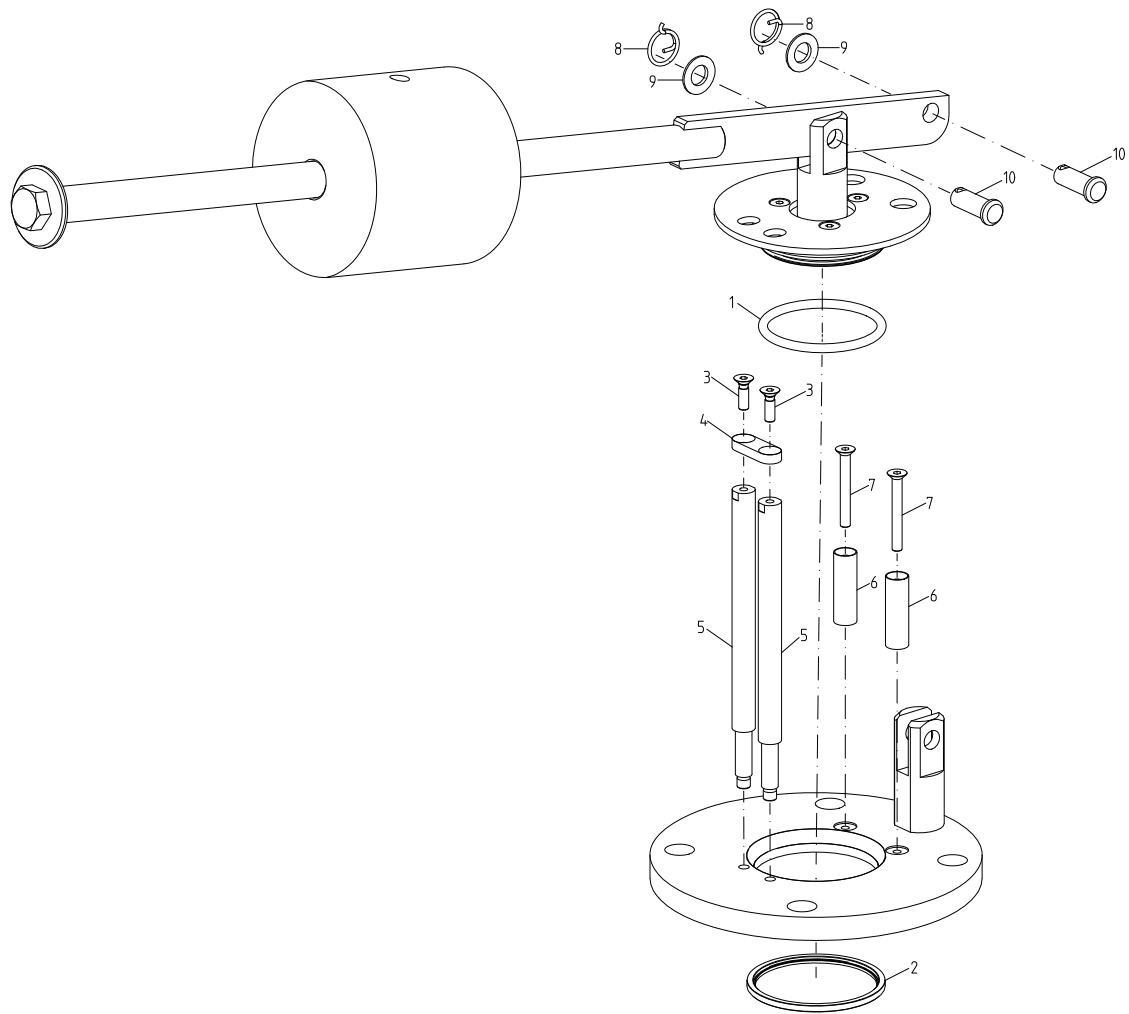
ESE02896-EN1 2015-04

Original manual

Table of contents

The information herein is correct at the time of issue but may be subject to change without prior notice

1. SB Pressure Relief Valve, Ø75 to Ø150	4
2. Force Opener	6



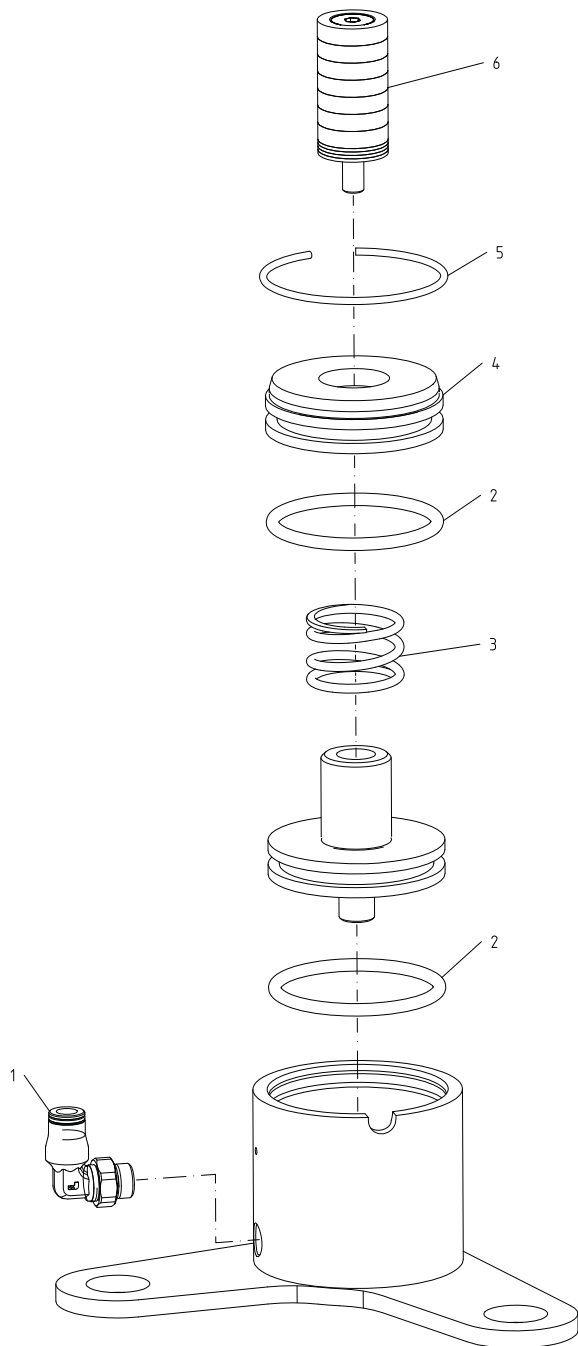
SB Pressure Relief Valve, Ø75 to Ø150

Pos	Qty	Denomination	Ø75	Ø100	Ø150
1	1	O-ring, EPDM	9611995464	9611995465	9611995466
2	1	Gasket, EPDM	9612402635	9612402607	9612402609
3	□	Screw			
4	□	1 P.R.V. guide stop Ø75/3"-Ø100/4"			
4	□	1 P.R.V. guide stop Ø150/6"			
5	□	2 P.R.V. guide pin			
6	□	2 P.R.V. guide pin small			
7	□	Screw			
8	◆	2 Locking ring			
9	◆	2 Washer			
10	◆	2 Bearing tap			

Assembly kits for Ø75 to Ø150

□	Assembly kit, PRV	9615145904
◆	Assembly kit, PRV	9615145808

Parts marked with □◆ are included in the assembly kits.



Force Opener

Pos	Qty	Denomination	Ø75 to Ø150
1	1	Air fitting	9611991988
2	2	O-ring, NBR	9611995509
3	1	Spring	
4	1	Force opener cover	
5	1	Locking ring	
6	1	Spacer kit	

Assembly kits for Ø75 to Ø150

○ **Assembly Kit, force opener** 9615146201

Parts marked with ○ are included in the assembly kits.

How to contact Alfa Laval

Contact details for all countries are continually updated on our website.

Please visit www.alfalaval.com to access the information directly.

© Alfa Laval Corporate AB

This document and its contents is owned by Alfa Laval Corporate AB and protected by laws governing intellectual property and thereto related rights. It is the responsibility of the user of this document to comply with all applicable intellectual property laws. Without limiting any rights related to this document, no part of this document may be copied, reproduced or transmitted in any form or by any means (electronic, mechanical, photocopying, recording, or otherwise), or for any purpose, without the expressed permission of Alfa Laval Corporate AB. Alfa Laval Corporate AB will enforce its rights related to this document to the fullest extent of the law, including the seeking of criminal prosecution.