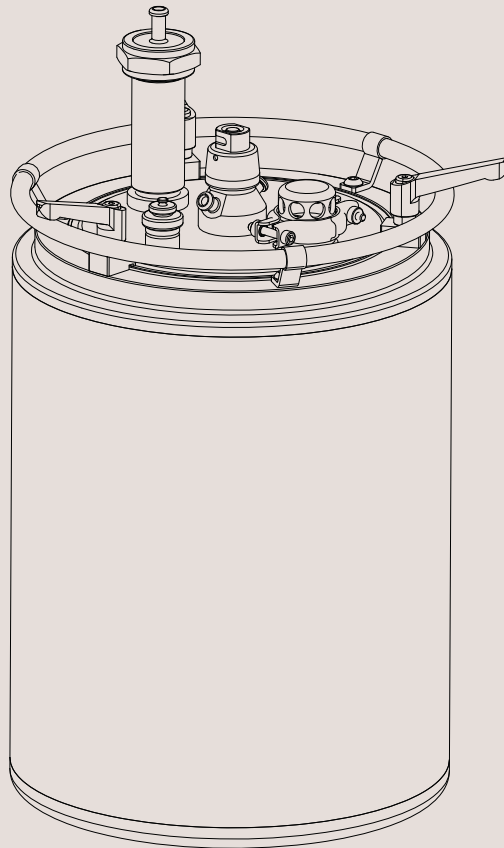




Spare Parts

Alfa Laval SB Carlsberg flask

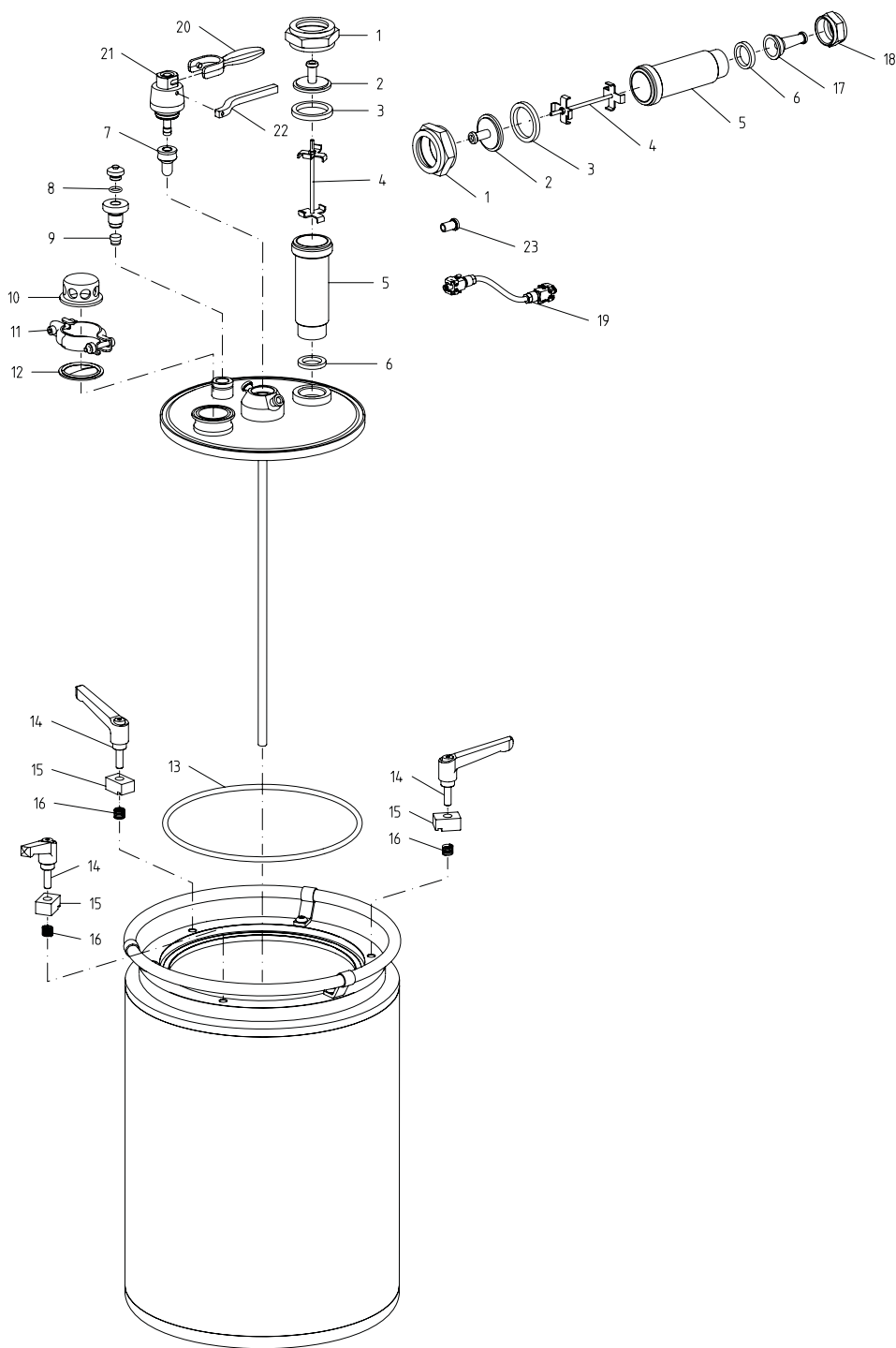


ESE02903-EN1 2015-04

Original manual

The information herein is correct at the time of issue but may be subject to change without prior notice

1. SB Carlsberg flask 4



Pos	Qty	Denomination	
1	□♦	1 Filter nut large	
2	□♦	1 Filter top large	
3	□♦○	2 Seal, EPDM	
4	□♦	1 Filter holder	
5	□♦	1 Filter house	
6	♦○	2 Seal, EPDM	
7		1 Membrane Q, 20 PCS	9680124378
8	○	1 O-ring, NBR	
9		1 Rubber plug NR, 100 PCS	9680125521
10		1 Protection cap	9615126301
11		1 Clamp	9611311051
12		1 Bursting disc	9680123773
13	○	1 O-ring, Q	
14	▲	3 Handle	
15	▲	3 Block	
16	▲	3 Spring	
17	♦	1 Filter top small	
18	♦	1 Filter nut small	
19		2 3m silicone hose w. 2 clip-on	9615118801
20		1 Quick opening key	9615119001
21		1 MSV Actuator Manual 6bar	9615146301
22		1 Assembly key	9615119801
23		1 Weld in clip-on	9615085601
		2 Hydrophobic cotton for filter	9680124420

Assembly and service kits for Carlsberg flask:

□	Filter House I	9615123601
♦	Filter House II	9615123602
▲	Handle set incl. 1x(pos. 14;15;16)	9615125970
○	Service kit	9611924316

Parts marked with □♦○▲ are included in the Assembly and service kits.

How to contact Alfa Laval

Contact details for all countries are continually updated on our website.

Please visit www.alfalaval.com to access the information directly.

© Alfa Laval Corporate AB

This document and its contents is owned by Alfa Laval Corporate AB and protected by laws governing intellectual property and thereto related rights. It is the responsibility of the user of this document to comply with all applicable intellectual property laws. Without limiting any rights related to this document, no part of this document may be copied, reproduced or transmitted in any form or by any means (electronic, mechanical, photocopying, recording, or otherwise), or for any purpose, without the expressed permission of Alfa Laval Corporate AB. Alfa Laval Corporate AB will enforce its rights related to this document to the fullest extent of the law, including the seeking of criminal prosecution.