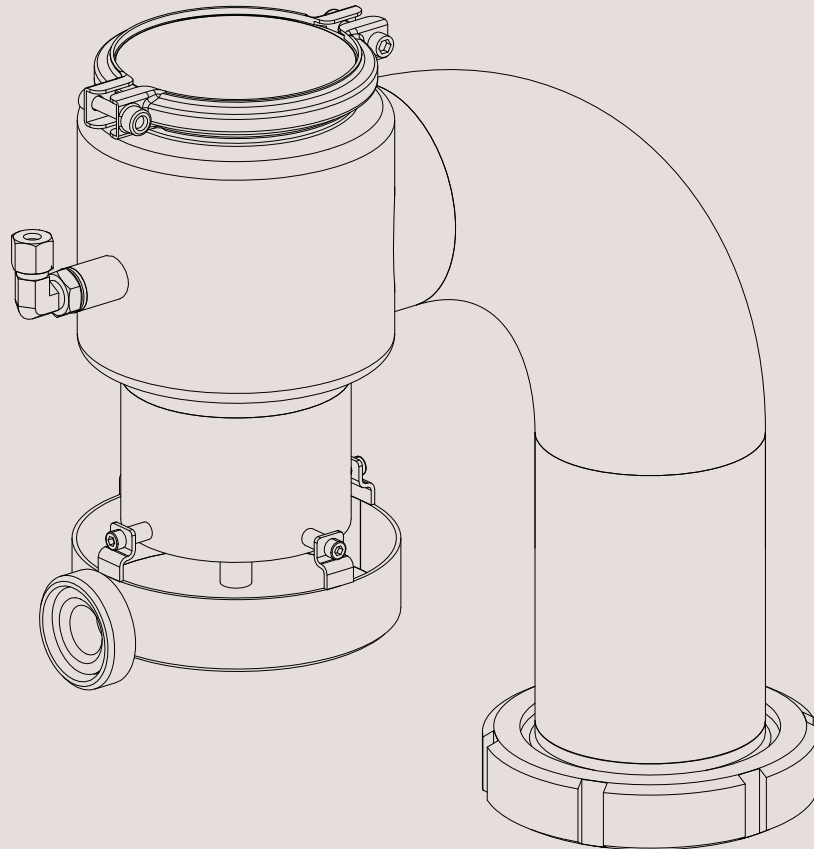




Spare Parts

Alfa Laval SB Anti Vacuum House

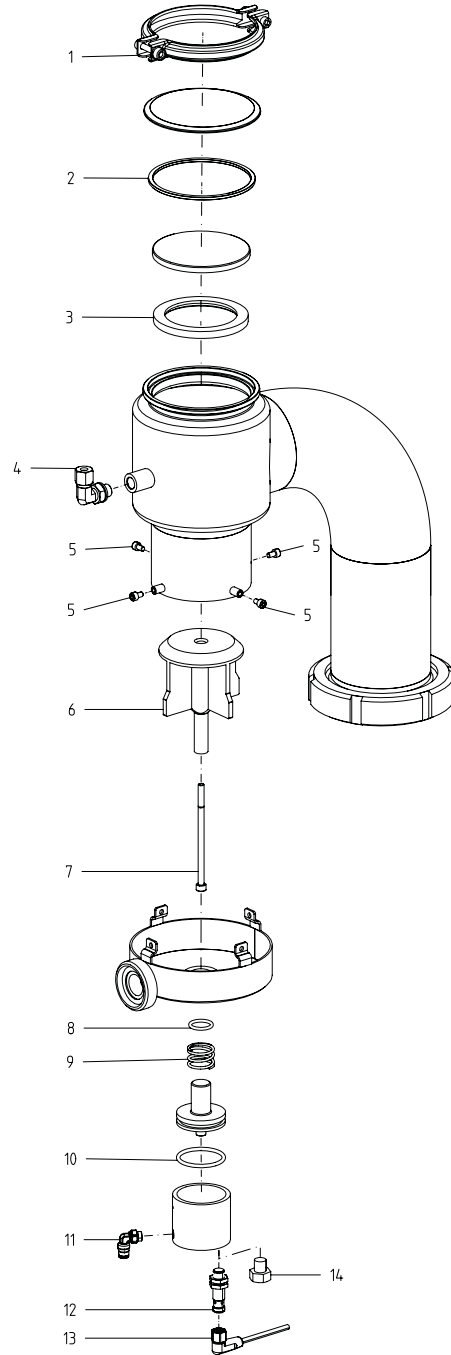


ESE02942-EN1 2015-04

Original manual

The information herein is correct at the time of issue but may be subject to change without prior notice

1. SB Anti Vacuum House; 51-101.6 mm, DN150 4



SB Anti Vacuum House; 51-101.6 mm, DN150

Pos	Qty	Denomination	51mm	76,1mm	101.6mm	DN150
1	1	Clamp	3132000273	3132000272	3132000272	9611311058
2	♦	1 Seal ring, EPDM				
3	♦	1 Plug seal, EPDM				
4	1	CIP inlet	9611995713	9611995713	9611995713	9611995713
5	4	Screw	9611995533	9611995533	9611995533	9611995533
6	1	Vaccum tail	9615102301	9615071601	9615071801	9615072001
7	1	Screw	9611995611	9611995531	9611995536	9611995532
8	□	1 O-ring, NBR				
9	1	Spring	9615065101	9615065101	9615065101	9615065101
10	□	1 O-ring, NBR				
11	1	Air fitting	9611991988	9611991988	9611991988	9611991988
12	1	Sensor	9611995744	9611995744	9611995744	9611995744
13	1	Sensor cable 5m	9611995205	9611995205	9611995205	9611995205
14	1	Plug	9615074401	9615074401	9615074401	9615074401
			51mm	76,1mm	101.6mm	DN150

Service Kits for Anti Vacuum House, 51-101.6mm, DN150

♦	Service kit Anti Vacuum House	9611924329	9611924330	9611924331	9611924332
□	Service kit Force opener	9615151001	9615151001	9615151001	9615151001

How to contact Alfa Laval

Contact details for all countries are continually updated on our website.

Please visit www.alfalaval.com to access the information directly.

© Alfa Laval Corporate AB

This document and its contents is owned by Alfa Laval Corporate AB and protected by laws governing intellectual property and thereto related rights. It is the responsibility of the user of this document to comply with all applicable intellectual property laws. Without limiting any rights related to this document, no part of this document may be copied, reproduced or transmitted in any form or by any means (electronic, mechanical, photocopying, recording, or otherwise), or for any purpose, without the expressed permission of Alfa Laval Corporate AB. Alfa Laval Corporate AB will enforce its rights related to this document to the fullest extent of the law, including the seeking of criminal prosecution.