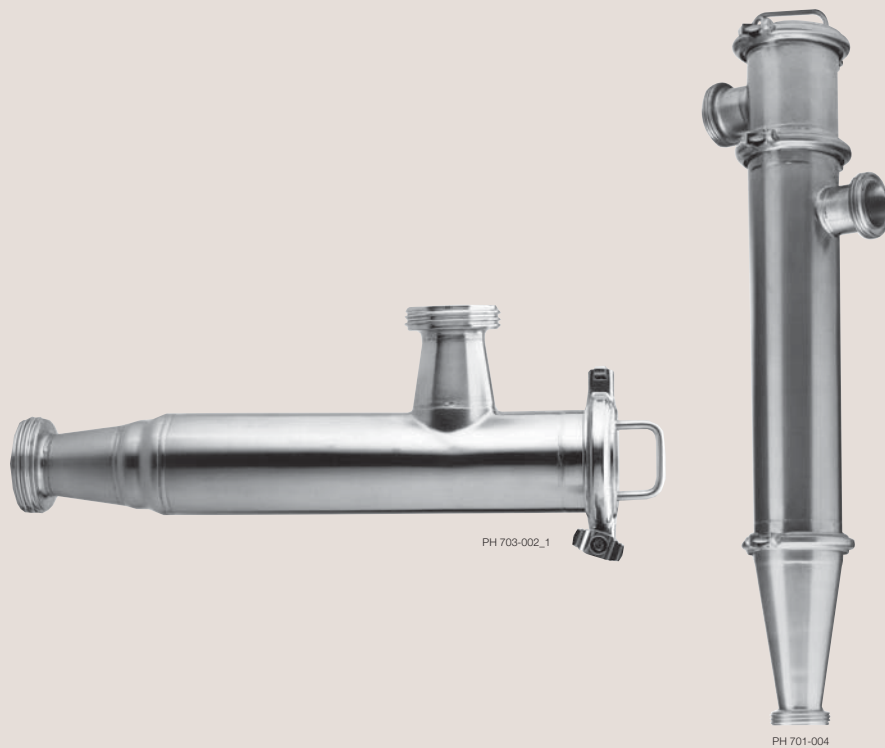




## Spare Parts

### Strainers LKSF-BL, LKSF-CL and LKVF



ESE00814-EN2 2009-01

Original manual



**Table of contents**

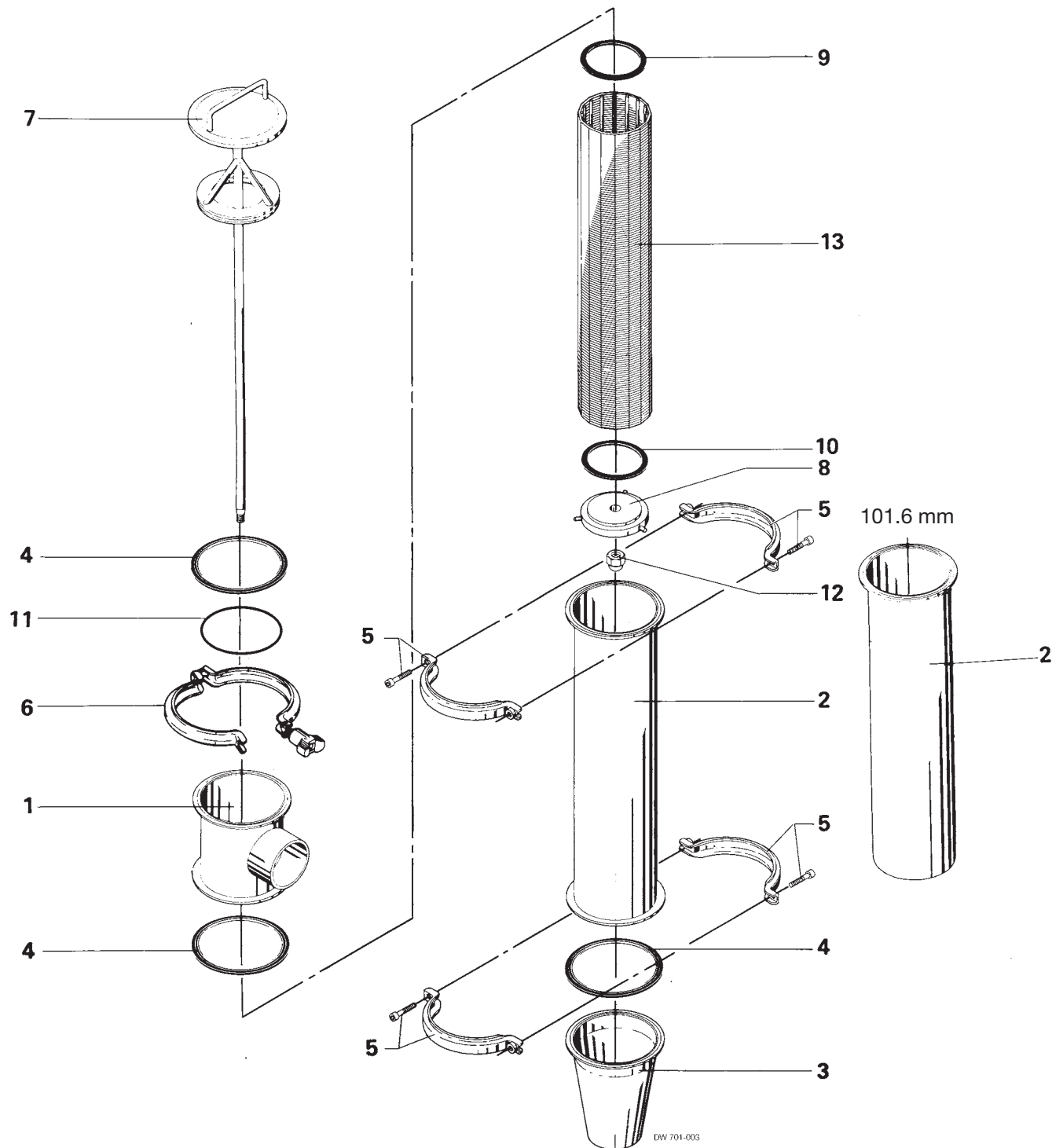
---

*The information herein is correct at the time of issue but may be subject to change without prior notice*

**1. Slot Strainer LKSF-BL ..... 4**

**2. Slot Strainer LKSF-CL ..... 6**

**3. Coarse Strainer LKVF ..... 8**



Slot Strainer LKSF-BL

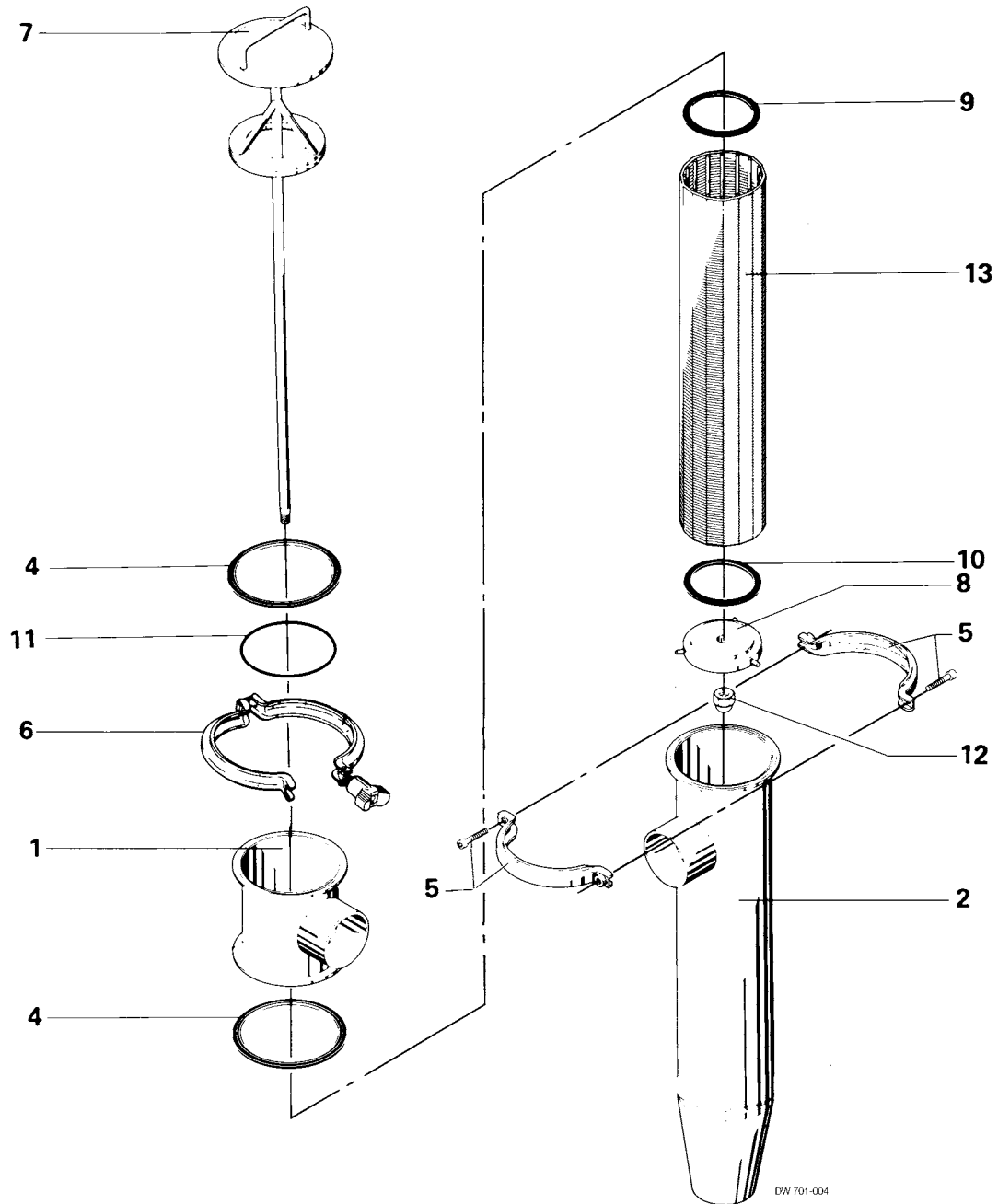
Pos	Qty	Denomination	25 mm	38 mm	51 mm	63.5 mm	76.1 mm	101.6 mm
1	1	Upper part .....	9611-71-309-4	9611-71-309-3	9611-71-309-2	9611-71-309-1	9611-71-309-0	9612-0370-01
2	1	Strainer casing .....	9611-71-303-0	9611-71-303-0	9611-71-303-0	9611-71-303-0	9611-71-303-0	9612-0368-01
3	1	Lower part .....	9611-71-315-0	9611-71-314-0	9611-71-313-0	9611-71-312-0	9611-71-311-0	
4	□ 3	Seal ring, EPDM .....	9611-99-1363	9611-99-1363	9611-99-1363	9611-99-1363	9611-99-1363	
	2	Seal ring, EPDM .....						9611-99-1363
	3	Seal ring, NBR .....	9611-99-0770	9611-99-0770	9611-99-0770	9611-99-0770	9611-99-0770	
	2	Seal ring, NBR .....						9611-99-0770
	3	Seal ring, FPM .....	9611-99-1895	9611-99-1895	9611-99-1895	9611-99-1895	9611-99-1895	
	2	Seal ring, FPM .....						9611-99-1895
5	2	Clamp, ring and screws .....	9611-31-1055	9611-31-1055	9611-31-1055	9611-31-1055	9611-31-1055	
	1	Clamp, ring and screws .....						9611-31-1055
6	1	Clamp ring .....	9611-99-1512	9611-99-1512	9611-99-1512	9611-99-1512	9611-99-1512	
7	1	Bolt complete with cover .....	9611-71-330-0	9611-71-330-0	9611-71-330-0	9611-71-330-0	9611-71-330-0	9612-0372-01
8	1	Bottom .....	9611-71-328-0	9611-71-328-0	9611-71-328-0	9611-71-328-0	9611-71-328-0	9611-71-328-0
9	□ 1	Gasket, EPDM .....	9611-71-329-0	9611-71-329-0	9611-71-329-0	9611-71-329-0	9611-71-329-0	9611-71-329-0
	1	Gasket, NBR .....	9611-71-329-2	9611-71-329-2	9611-71-329-2	9611-71-329-2	9611-71-329-2	9611-71-329-2
	1	Gasket, FPM .....	9611-71-329-4	9611-71-329-4	9611-71-329-4	9611-71-329-4	9611-71-329-4	9611-71-329-4
10	□ 1	Gasket, EPDM .....	9611-71-329-1	9611-71-329-1	9611-71-329-1	9611-71-329-1	9611-71-329-1	9611-71-329-1
	1	Gasket, NBR .....	9611-71-329-3	9611-71-329-3	9611-71-329-3	9611-71-329-3	9611-71-329-3	9611-71-329-3
	1	Gasket, FPM .....	9611-71-329-5	9611-71-329-5	9611-71-329-5	9611-71-329-5	9611-71-329-5	9611-71-329-5
11	□ 1	O-ring, EPDM .....	9611-99-1135	9611-99-1135	9611-99-1135	9611-99-1135	9611-99-1135	9611-99-1135
	1	O-ring, NBR .....	9611-99-0579	9611-99-0579	9611-99-0579	9611-99-0579	9611-99-0579	9611-99-0579
	1	O-ring, FPM .....	9611-99-3156	9611-99-3156	9611-99-3156	9611-99-3156	9611-99-3156	9611-99-3156
12	1	Nut .....	9611-99-1696	9611-99-1696	9611-99-1696	9611-99-1696	9611-99-1696	9611-99-1696

Pos	Qty	Denomination	25 mm	38 mm	51 mm	63.5 mm	76.1 mm	101.6 mm
13	1	Strainer element, 53 μ .....			9612-0376-04			
	1	Strainer element, 63 μ .....			9612-0376-05			
	1	Strainer element, 74 μ .....			9612-0376-06			
	1	Strainer element, 88 μ .....			9612-0376-07			
	1	Strainer element, 105 μ .....			9612-0376-08			
	1	Strainer element, 125 μ .....			9612-0376-09			
	1	Strainer element, 149 μ .....			9612-0376-10			
	1	Strainer element, 177 μ .....			9612-0376-11			
	1	Strainer element, 210 μ .....			9612-0376-12			
	1	Strainer element, 250 μ .....			9612-0376-13			
	1	Strainer element, 297 μ .....			9612-0376-14			
	1	Strainer element, 354 μ .....			9612-0376-15			
	1	Strainer element, 420 μ .....			9612-0376-16			
	1	Strainer element, 500 μ .....			9612-0376-17			
	1	Strainer element, 595 μ .....			9612-0376-18			
	1	Strainer element, 707 μ .....			9612-0376-19			
	1	Strainer element, 841 μ .....			9612-0376-20			
	1	Strainer element, 1000 μ .....			9612-0376-21			
	1	Strainer element, 1190 μ .....			9612-0376-22			
	1	Strainer element, 1410 μ .....			9612-0376-23			
	1	Strainer element, 1680 μ .....			9612-0376-24			
	1	Strainer element, 2000 μ .....			9612-0376-25			
	1	Strainer element, 2380 μ .....			9612-0376-26			
	1	Strainer element, 2830 μ .....			9612-0376-27			
	1	Strainer element, 3360 μ .....			9612-0376-28			
	1	Strainer element, 4000 μ .....			9612-0376-29			

		25 mm	38 mm	51 mm	63.5 mm	76.1 mm	101.6 mm
□	<b>Service kit EPDM</b> .....	9611-92-5014	9611-92-5014	9611-92-5014	9611-92-5014	9611-92-5014	9611-92-5015
□	<b>Service kit NBR</b> .....	9611-92-5016	9611-92-5016	9611-92-5016	9611-92-5016	9611-92-5016	9611-92-5018
□	<b>Service kit FPM</b> .....	9611-92-5017	9611-92-5017	9611-92-5017	9611-92-5017	9611-92-5017	9611-92-5019

Parts marked with □ are included in the Service kit.

Recommended spare parts: Service kit.



# Slot Strainer LKSF-CL

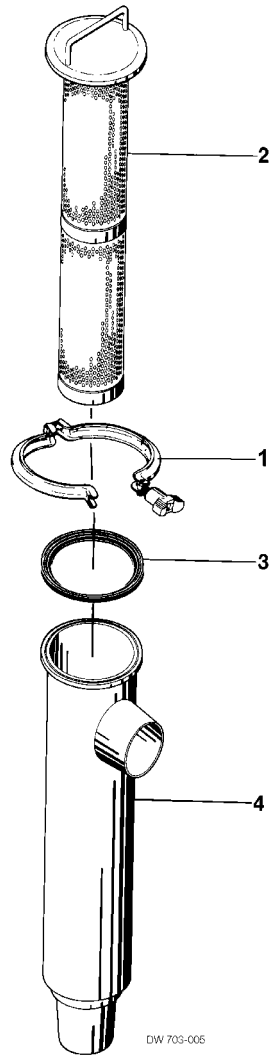
Pos	Qty	Denomination	25 mm	38 mm	51 mm	63.5 mm	76.1 mm	101.6 mm
1	1	Upper part .....	9611-71-309-4	9611-71-309-3	9611-71-309-2	9611-71-309-1	9611-71-309-0	9612-0370-01
2	1	Strainer casing .....	9611-71-304-4	9611-71-304-3	9611-71-304-2	9611-71-304-1	9611-71-304-0	9612-0369-01
4	□	2 Seal ring, EPDM .....	9611-99-1363	9611-99-1363	9611-99-1363	9611-99-1363	9611-99-1363	9611-99-1363
		2 Seal ring, NBR .....	9611-99-0770	9611-99-0770	9611-99-0770	9611-99-0770	9611-99-0770	9611-99-0770
		2 Seal ring, FPM .....	9611-99-1895	9611-99-1895	9611-99-1895	9611-99-1895	9611-99-1895	9611-99-1895
5	1	Clamp ring and screws .....	9611-31-105-5	9611-31-105-5	9611-31-105-5	9611-31-105-5	9611-31-105-5	9611-31-1055
6	1	Clamp ring .....	9611-99-1512	9611-99-1512	9611-99-1512	9611-99-1512	9611-99-1512	9611-99-1512
7	1	Bolt complete with cover .....	9611-71-330-0	9611-71-330-0	9611-71-330-0	9611-71-330-0	9611-71-330-0	9612-0372-01
8	1	Bottom .....	9611-71-328-0	9611-71-328-0	9611-71-328-0	9611-71-328-0	9611-71-328-0	9611-71-328-0
9	□	1 Gasket, EPDM .....	9611-71-329-0	9611-71-329-0	9611-71-329-0	9611-71-329-0	9611-71-329-0	9611-71-329-0
		1 Gasket, NBR .....	9611-71-329-2	9611-71-329-2	9611-71-329-2	9611-71-329-2	9611-71-329-2	9611-71-329-2
		1 Gasket, FPM .....	9611-71-329-4	9611-71-329-4	9611-71-329-4	9611-71-329-4	9611-71-329-4	9611-71-329-4
10	□	1 Gasket, EPDM .....	9611-71-329-1	9611-71-329-1	9611-71-329-1	9611-71-329-1	9611-71-329-1	9611-71-329-1
		1 Gasket, NBR .....	9611-71-329-3	9611-71-329-3	9611-71-329-3	9611-71-329-3	9611-71-329-3	9611-71-329-3
		1 Gasket, FPM .....	9611-71-329-5	9611-71-329-5	9611-71-329-5	9611-71-329-5	9611-71-329-5	9611-71-329-5
11	□	1 O-ring, EPDM .....	9611-99-1135	9611-99-1135	9611-99-1135	9611-99-1135	9611-99-1135	9611-99-1135
		1 O-ring, NBR .....	9611-99-0579	9611-99-0579	9611-99-0579	9611-99-0579	9611-99-0579	9611-99-0579
		1 O-ring, FPM .....	9611-99-3156	9611-99-3156	9611-99-3156	9611-99-3156	9611-99-3156	9611-99-3156
12	1	Nut .....	9611-99-1696	9611-99-1696	9611-99-1696	9611-99-1696	9611-99-1696	9611-99-1696

Pos	Qty	Denomination						
13	1	Strainer element, 53 μ .....			9612-0376-04			
	1	Strainer element, 63 μ .....			9612-0376-05			
	1	Strainer element, 74 μ .....			9612-0376-06			
	1	Strainer element, 88 μ .....			9612-0376-07			
	1	Strainer element, 105 μ .....			9612-0376-08			
	1	Strainer element, 125 μ .....			9612-0376-09			
	1	Strainer element, 149 μ .....			9612-0376-10			
	1	Strainer element, 177 μ .....			9612-0376-11			
	1	Strainer element, 210 μ .....			9612-0376-12			
	1	Strainer element, 250 μ .....			9612-0376-13			
	1	Strainer element, 297 μ .....			9612-0376-14			
	1	Strainer element, 354 μ .....			9612-0376-15			
	1	Strainer element, 420 μ .....			9612-0376-16			
	1	Strainer element, 500 μ .....			9612-0376-17			
	1	Strainer element, 595 μ .....			9612-0376-18			
	1	Strainer element, 707 μ .....			9612-0376-19			
	1	Strainer element, 841 μ .....			9612-0376-20			
	1	Strainer element, 1000 μ .....			9612-0376-21			
	1	Strainer element, 1190 μ .....			9612-0376-22			
	1	Strainer element, 1410 μ .....			9612-0376-23			
	1	Strainer element, 1680 μ .....			9612-0376-24			
	1	Strainer element, 2000 μ .....			9612-0376-25			
	1	Strainer element, 2380 μ .....			9612-0376-26			
	1	Strainer element, 2830 μ .....			9612-0376-27			
	1	Strainer element, 3360 μ .....			9612-0376-28			
	1	Strainer element, 4000 μ .....			9612-0376-29			

			25 mm	38 mm	51 mm	63.5 mm	76.1 mm	101.6 mm
□		<b>Service kit EPDM .....</b>	<b>9611-92-5015</b>	<b>9611-92-5015</b>	<b>9611-92-5015</b>	<b>9611-92-5015</b>	<b>9611-92-5015</b>	<b>9611-92-5015</b>
□		<b>Service kit NBR .....</b>	<b>9611-92-5018</b>	<b>9611-92-5018</b>	<b>9611-92-5018</b>	<b>9611-92-5018</b>	<b>9611-92-5018</b>	<b>9611-92-5018</b>
□		<b>Service kit FPM .....</b>	<b>9611-92-5019</b>	<b>9611-92-5019</b>	<b>9611-92-5019</b>	<b>9611-92-5019</b>	<b>9611-92-5019</b>	<b>9611-92-5019</b>

Parts marked with □ are included in the Service kit.

Recommended spare parts: Service kit.





## Coarse Strainer LKVF

Pos	Qty	Denomination	25 mm	38 mm	51 mm	63.5 mm	76.1 mm
1	1	Clamp ring .....	211055	211055	211055	211057	211057
2	1	Strainer element, *ø1.0 .....	9612-1906-01	9612-1906-01	9612-1906-01	9612-1914-01	9612-1914-01
	1	Strainer element, *ø1.5 .....	9612-1906-02	9612-1906-02	9612-1906-02	9612-1914-02	9612-1914-02
	1	Strainer element, *ø2.0 .....	9612-1906-03	9612-1906-03	9612-1906-03	9612-1914-03	9612-1914-03
	1	Strainer element, *ø2.5 .....	9612-1906-04	9612-1906-04	9612-1906-04	9612-1914-04	9612-1914-04
	1	Strainer element, *ø3.0 .....	9612-1906-05	9612-1906-05	9612-1906-05	9612-1914-05	9612-1914-05
	1	Strainer element, *ø4.0 .....	9612-1906-07	9612-1906-07	9612-1906-07		
	1	Strainer element, *ø5.0 .....				9612-1914-09	9612-1914-09
3	□	1 Seal ring, EPDM .....	9611-99-1361	9611-99-1361	9611-99-1361	9611-99-1363	9611-99-1363
	1	Seal ring, NBR .....	9611-99-0768	9611-99-0768	9611-99-0768	9611-99-0770	9611-99-0770
	1	Seal ring, PTFE .....	9611-99-1406	9611-99-1406	9611-99-1406	9611-99-1408	9611-99-1408
4	1	Strainer casing (o .....					

\* = Size of holes

Recommended spare parts marked with □ .

TD 900-407/2

**How to contact Alfa Laval**

Contact details for all countries are continually updated on our website.

Please visit [www.alfalaval.com](http://www.alfalaval.com) to access the information directly.

© Alfa Laval Corporate AB

This document and its contents is owned by Alfa Laval Corporate AB and protected by laws governing intellectual property and thereto related rights. It is the responsibility of the user of this document to comply with all applicable intellectual property laws. Without limiting any rights related to this document, no part of this document may be copied, reproduced or transmitted in any form or by any means (electronic, mechanical, photocopying, recording, or otherwise), or for any purpose, without the expressed permission of Alfa Laval Corporate AB. Alfa Laval Corporate AB will enforce its rights related to this document to the fullest extent of the law, including the seeking of criminal prosecution.