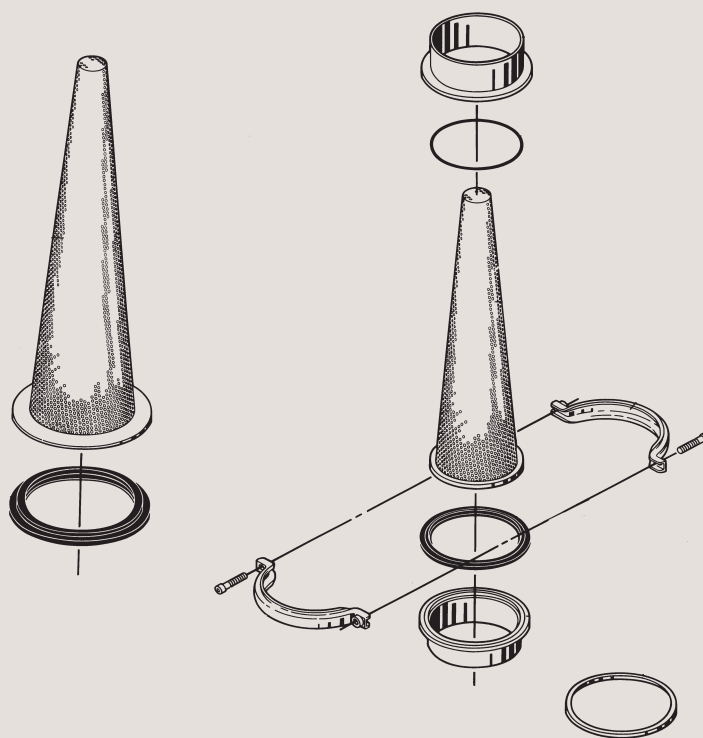




## Spare Parts

### LKIF In-Line Filter



ESE02923-EN1

2015-03

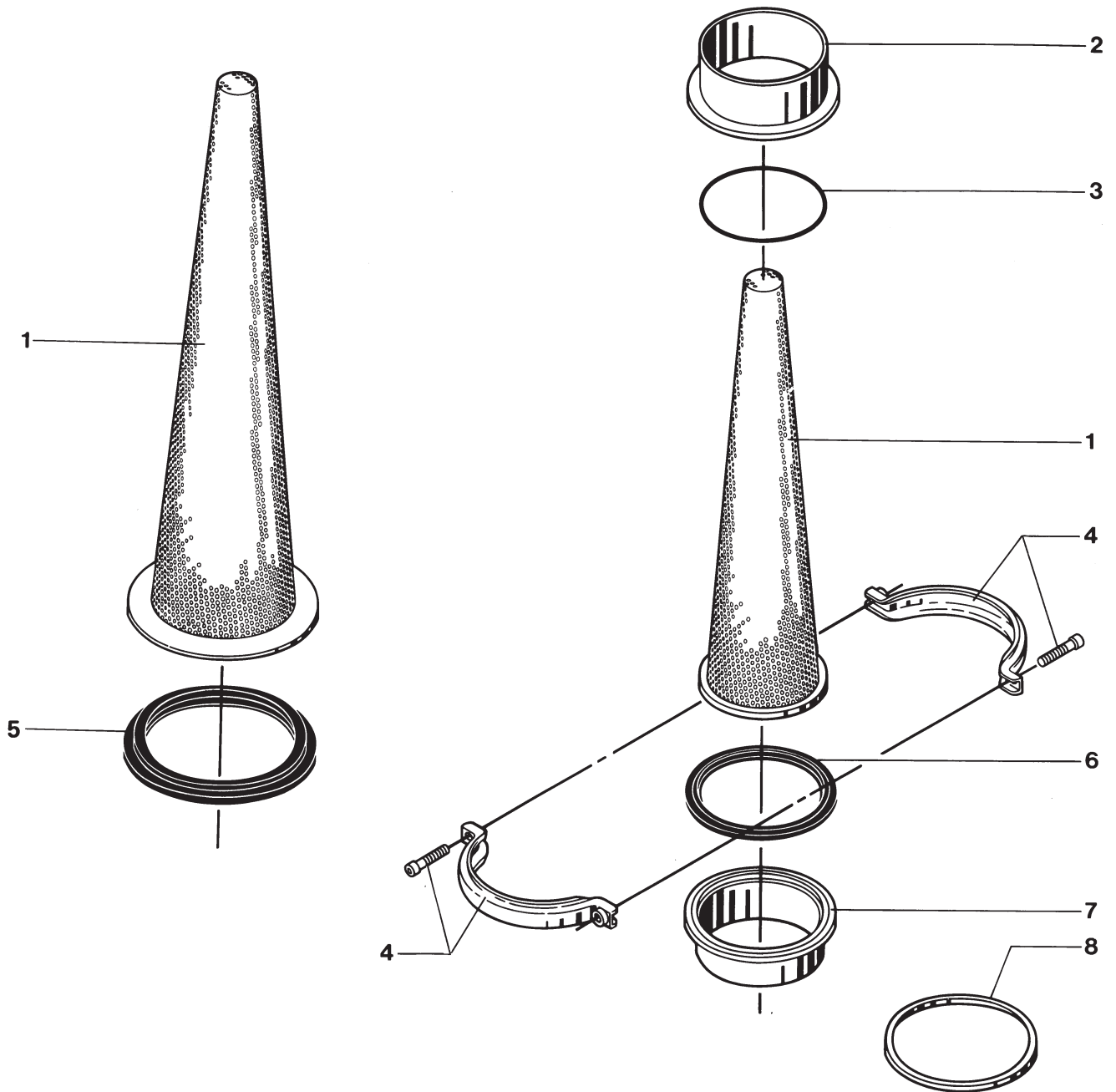
Original manual



---

*The information herein is correct at the time of issue but may be subject to change without prior notice*

1. LKIF In-Line Filter, Type LKIF ..... 4



## LKIF In-Line Filter, Type LKIF

Pos	Qty	Denomination	25 mm	38 mm	51 mm	63,5 mm	76 mm	101,6 mm
<b>SMS / DS</b>								
1	1	Filter .....	9612025001	9612025002	9612025003	9612025004	9612025005	9612025006
5	1	Seal ring EPDM (Std) .....	9612025501	9612025502	9612025503	9612025504	9612025505	9612025506
	1	Seal ring NBR .....	9612025507	9612025508	9612025509	9612025510	9612025511	9612025512

Pos	Qty	Denomination	25 mm	38 mm	51 mm	63,5 mm	76 mm	101,6 mm
<b>Clamp</b>								
1	1	Filter .....	9612024901	9612024902	9612024903	9612024904	9612024905	9612024906
2	1	Clamp .....	9612025201	9612025202	9612025203	9612025204	9612025205	9612025206
3	1	Seal ring EPDM (Std) .....	9612025401	9612025402	9612025403	9612025404	9612025405	9612025406
	1	Seal ring NBR .....	9612025407	9612025408	9612025409	9612025410	9612025411	9612025412
	1	Seal ring PTFE .....	9612025413	9612025414	9612025415	9612025416	9612025417	9612025418
4	1	Clamp ring and screws .....	9611311051	9611311051	9611311052	9611311053	9611311054	9611311055
6	1	Seal ring EPDM .....	9611991358	9611991359	9611991360	9611991361	9611991362	9611991363
	1	Seal ring NBR .....	9611990765	9611990766	9611990767	9611990768	9611990769	9611990770
	1	Seal ring PTFE .....	9611991403	9611991404	9611991405	9611991406	9611991407	9611991408
7	1	Clamp .....	9611310190	9611310200	9611310210	9611310220	9611310230	9611310240
8	1	Support ring .....	9612047701	9612047702	9612047703	9612047704	9612047705	9612047706

Recommended spare parts: Pos. 3, 5 and 6.

**How to contact Alfa Laval**

Contact details for all countries are continually updated on our website.

Please visit [www.alfalaval.com](http://www.alfalaval.com) to access the information directly.

© Alfa Laval Corporate AB

This document and its contents is owned by Alfa Laval Corporate AB and protected by laws governing intellectual property and thereto related rights. It is the responsibility of the user of this document to comply with all applicable intellectual property laws. Without limiting any rights related to this document, no part of this document may be copied, reproduced or transmitted in any form or by any means (electronic, mechanical, photocopying, recording, or otherwise), or for any purpose, without the expressed permission of Alfa Laval Corporate AB. Alfa Laval Corporate AB will enforce its rights related to this document to the fullest extent of the law, including the seeking of criminal prosecution.