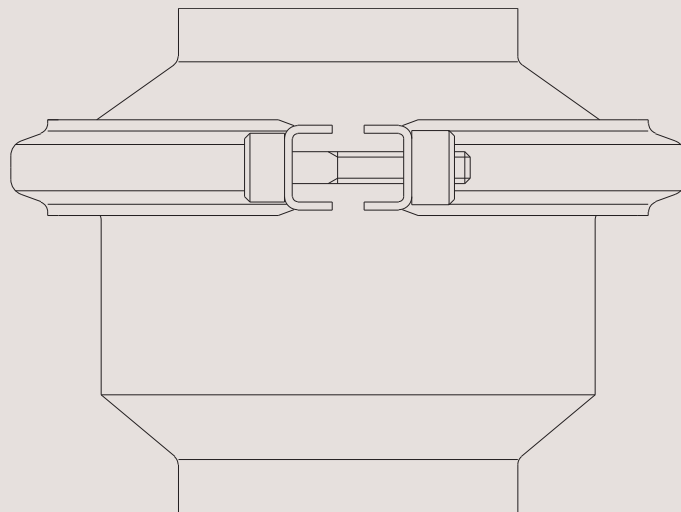




Spare Parts

LKC-2 Non-Return Valve



TD 406-022

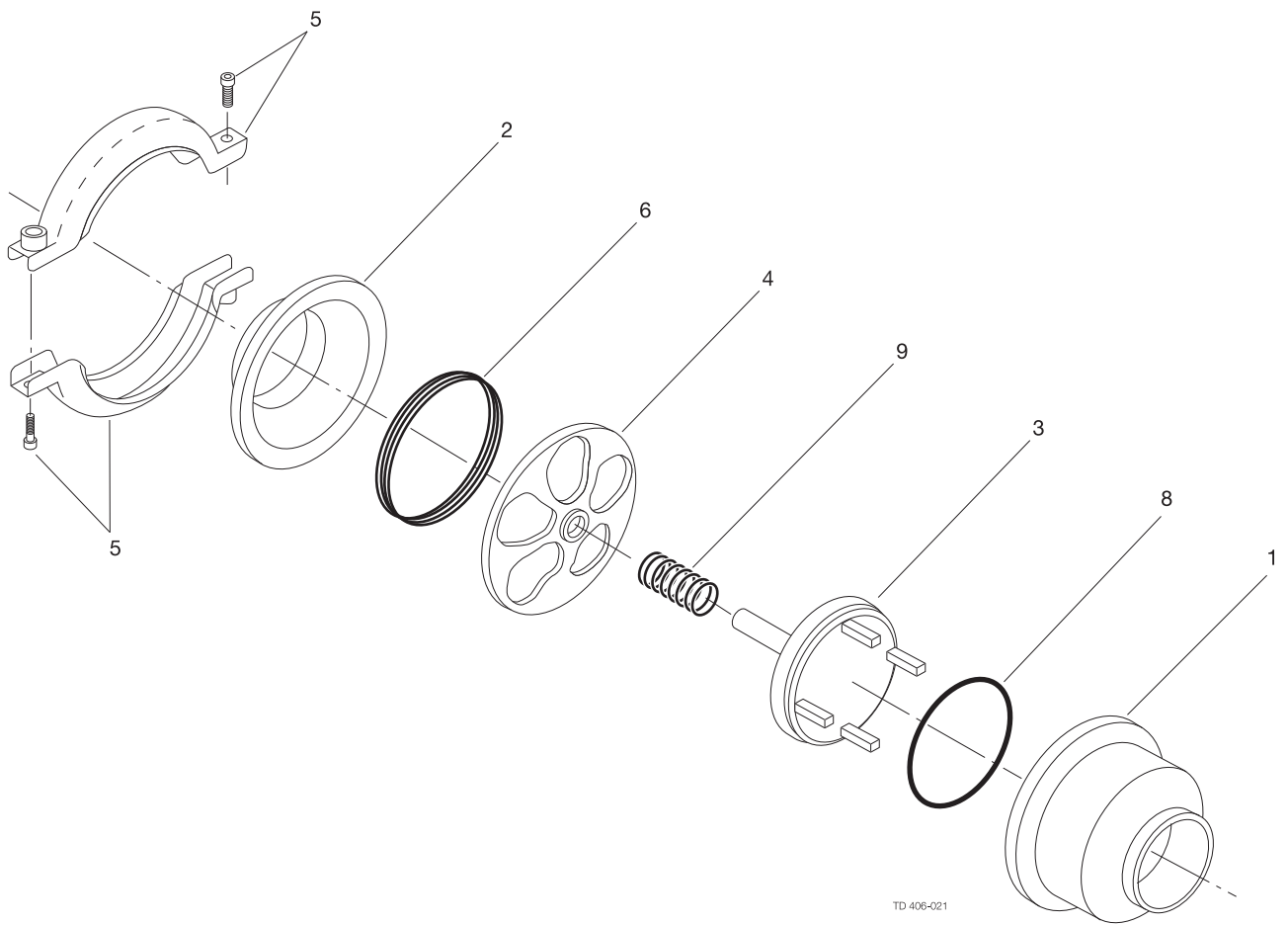
ESE00729-EN5 2018-12

Original manual

Table of contents

The information herein is correct at the time of issue but may be subject to change without prior notice

1. LKC-2 Non-Return Valve - ISO	4
2. LKC-2 Non-Return Valve - DIN	6



LKC-2 Non-Return Valve - ISO

ISO for welding - AISI 316L

Pos	Qty	Denomination	DN/OD 25	DN/OD 38	DN/OD 51	DN/OD 63.5	DN/OD 76.1	DN/OD 101.6
1	1	Valve body, vertical	9612220207	9612220208	9612220209	9612220210	9612220211	9612220212
1.1	1	Valve body, horizontal	Contact Alfa	Contact Alfa	Contact Alfa	Contact Alfa	Contact Alfa	N/A
			Laval	Laval	Laval	Laval	Laval	
2	1	Welding liner, vertical	9612220107	9612220108	9612220109	9612220110	9612220111	9612220112
2.1	1	Welding liner, horizontal	Contact Alfa	Contact Alfa	Contact Alfa	Contact Alfa	Contact Alfa	N/A
			Laval	Laval	Laval	Laval	Laval	
3	1	Valve cone	9612220701	9612220702	9612220703	9612220704	9612220705	9612220706
4	1	Guide plate						
		, vertical (period 1202-)	9612370901	9612370902	9612370903	9612370904	9612370905	9612370906
		Guide plate with pin						
		, (period - 1202)						
4.1	1	Guide plate, horizontal	Contact Alfa	Contact Alfa	Contact Alfa	Contact Alfa	Contact Alfa	N/A
			Laval	Laval	Laval	Laval	Laval	
5	1	Clamp ring	9611311052	9611311053	9611311054	9611311055	9611311056	9611311057
6	□	1 Seal ring, EPDM	9611253150	9611253151	9611253152	9611253153	9611253154	9611253156
		1 Seal ring, NBR	9611253810	9611253811	9611253812	9611253813	9611253814	9611253816
		1 Seal ring, FPM	9611253820	9611253821	9611253822	9611253823	9611253824	9611253826
8	□	1 O-ring, EPDM	9611990063	9611990015	9611990064	9611990065	9611990066	9611990067
		1 O-ring, NBR	9611991410	9611991411	9611991412	9611991413	9611991414	9611991415
		1 O-ring, FPM	9611991417	9611991418	9611991419	9611991420	9611991421	9611991422
9	□	1 Spring	9611991677	9611991678	9611991679	9611991680	9611991681	9611992031

ISO for welding - AISI 304

Pos	Qty	Denomination	DN/OD 25	DN/OD 38	DN/OD 51	DN/OD 63.5	DN/OD 76.1	DN/OD 101.6
1	1	Valve body, vertical	9612220201	9612220202	9612220203	9612220204	9612220205	9612220206
2	1	Welding liner	9612220101	9612220102	9612220103	9612220104	9612220105	9612220106
3	1	Valve cone	9612220701	9612220702	9612220703	9612220704	9612220705	9612220706
4	1	Guide plate						
		, (period 1202 -)	9612370901	9612370902	9612370903	9612370904	9612370905	9612370906
		Guide plate with pin						
		, (period - 1202)						
5	1	Clamp ring	9611311052	9611311053	9611311054	9611311055	9611311056	9611311057
6	□	1 Seal ring, EPDM	9611253150	9611253151	9611253152	9611253153	9611253154	9611253156
		1 Seal ring, NBR	9611253810	9611253811	9611253812	9611253813	9611253814	9611253816
		1 Seal ring, FPM	9611253820	9611253821	9611253822	9611253823	9611253824	9611253826
8	□	1 O-ring, EPDM	9611990063	9611990015	9611990064	9611990065	9611990066	9611990067
		1 O-ring, NBR	9611991410	9611991411	9611991412	9611991413	9611991414	9611991415
		1 O-ring, FPM	9611991417	9611991418	9611991419	9611991420	9611991421	9611991422
9	□	1 Spring	9611991677	9611991678	9611991679	9611991680	9611991681	9611992031
			DN/OD 25	DN/OD 38	DN/OD 51	DN/OD 63.5	DN/OD 76.1	DN/OD 101.6
			DN25	DN40	DN50	DN65	DN80	DN100

Service kit for product wetted parts

□	Service kit EPDM	9611924005	9611924006	9611924007	9611924008	9611924009	9611924010
□	Service kit NBR	9611924011	9611924012	9611924013	9611924014	9611924015	9611924016
□	Service kit FPM	9611924017	9611924018	9611924019	9611924020	9611924021	9611924022

Parts marked with □ are included in the service kit.

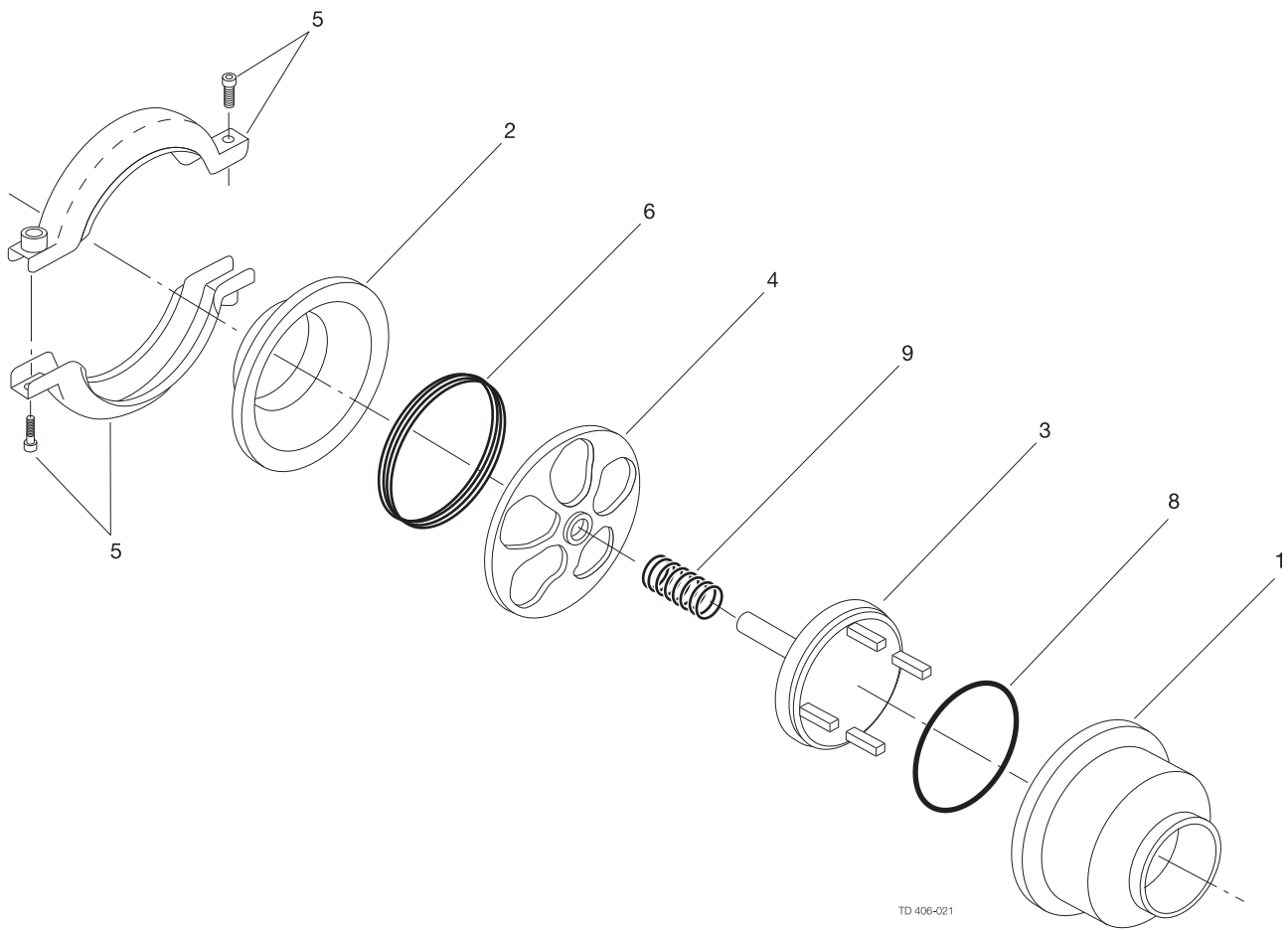
NB: Following parts from LKC-2 are interchangeable with LKC-1 for size 25 mm to 76 mm.

Pos. 3 Valve cone

Pos. 4 Guide plate

Recommended spare parts: Service kits.

TD 900-203/2



LKC-2 Non-Return Valve - DIN

DIN for welding - AISI 316L

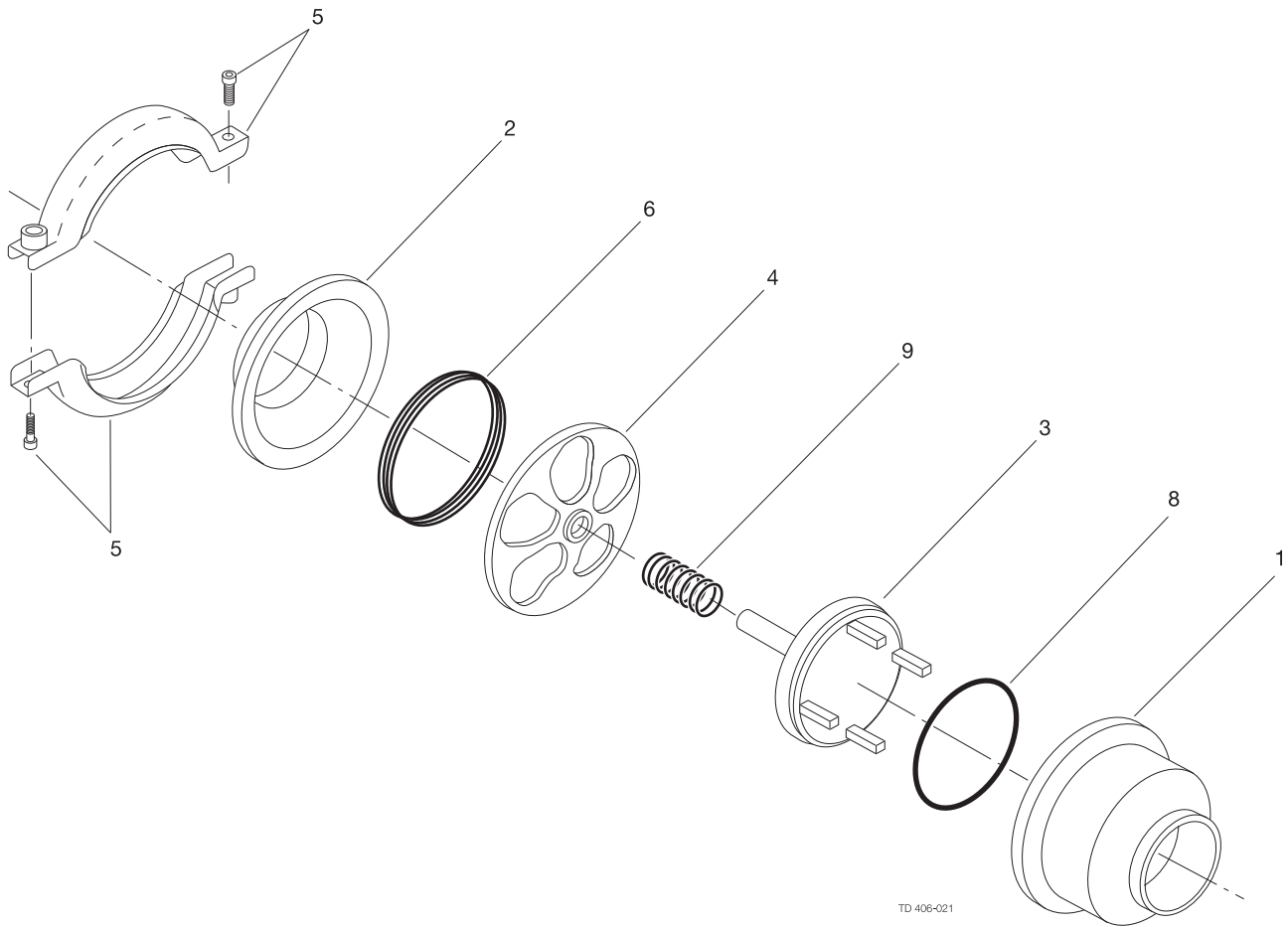
Pos	Qty	Denomination	DN 25	DN 32	DN 40	DN 50	DN 65
1	1	Valve body	9612221408	9612221409	9612221410	9612221411	9612221412
2	1	Welding liner	9612221508	9612221509	9612221510	9612221511	9612221512
3	1	Valve cone	9612220701	9612220702	9612220702	9612220703	9612220704
4	1	Guide plate, (period 1202-)	9612370901	9612370902	9612370902	9612370903	9612370904
	1	Guide plate with pin, (period - 1202)					
5	1	Clamp ring	9611311052	9611311053	9611311053	9611311054	9611311055
6	□	1 Seal ring, EPDM	9611253150	9611253151	9611253151	9611253152	9611253153
	1	Seal ring, NBR	9611253810	9611253811	9611253811	9611253812	9611253813
	1	Seal ring, FPM	9611253820	9611253821	9611253821	9611253822	9611253823
8	□	1 O-ring, EPDM	9611990063	9611990015	9611990015	9611990064	9611990065
	1	O-ring, NBR	9611991410	9611991411	9611991411	9611991412	9611991413
	1	O-ring, FPM	9611991417	9611991418	9611991418	9611991419	9611991420
9	□	1 Spring	9611991677	9611991678	9611991678	9611991679	9611991680

Pos	Qty	Denomination	DN 80	DN 100
1	1	Valve body	9612221413	9612221414
2	1	Welding liner	9612221513	9612221514
3	1	Valve cone	9612220705	9612220706
4	1	Guide plate, (period 1202-)	9612370905	9612370906
	1	Guide plate with pin, (period - 1202)		
5	1	Clamp ring	9611311056	9611311057
6	□	1 Seal ring, EPDM	9611253154	9611253156
	1	Seal ring, NBR	9611253814	9611253816
	1	Seal ring, FPM	9611253824	9611253826
8	□	1 O-ring, EPDM	9611990066	9611990067
	1	O-ring, NBR	9611991414	9611991415
	1	O-ring, FPM	9611991421	9611991422
9	□	1 Spring	9611991681	9611992031

DIN for welding - AISI 304

Pos	Qty	Denomination	DN 25	DN 32	DN 40	DN 50	DN 65
1	1	Valve body	9612221401	9612221402	9612221403	9612221404	9612221405
2	1	Welding liner	9612221501	9612221502	9612221503	9612221504	9612221505
3	1	Valve cone	9612220701	9612220702	9612220702	9612220703	9612220704
4	1	Guide plate, (period 1202-)	9612370901	9612370902	9612370902	9612370903	9612370904
	1	Guide plate with pin, (period - 1202)					
5	1	Clamp ring	9611311052	9611311053	9611311053	9611311054	9611311055
6	□	1 Seal ring, EPDM	9611253150	9611253151	9611253151	9611253152	9611253153
	1	Seal ring, NBR	9611253810	9611253811	9611253811	9611253812	9611253813
	1	Seal ring, FPM	9611253820	9611253821	9611253821	9611253822	9611253823
8	□	1 O-ring, EPDM	9611990063	9611990015	9611990015	9611990064	9611990065
	1	O-ring, NBR	9611991410	9611991411	9611991411	9611991412	9611991413
	1	O-ring, FPM	9611991417	9611991418	9611991418	9611991419	9611991420
9	□	1 Spring	9611991677	9611991678	9611991678	9611991679	9611991680

Pos	Qty	Denomination	DN 80	DN 100
1	1	Valve body	9612221406	9612221407
2	1	Welding liner	9612221506	9612221507
3	1	Valve cone	9612220705	9612220706
4	1	Guide plate, (period 1202-)	9612370905	9612370906
	1	Guide plate with pin, (period - 1202)		
5	1	Clamp ring	9611311056	9611311057
6	□	1 Seal ring, EPDM	9611253154	9611253156
	1	Seal ring, NBR	9611253814	9611253816
	1	Seal ring, FPM	9611253824	9611253826
8	□	1 O-ring, EPDM	9611990066	9611990067
	1	O-ring, NBR	9611991414	9611991415
	1	O-ring, FPM	9611991421	9611991422
9	□	1 Spring	9611991681	9611992031



LKC-2 Non-Return Valve - DIN

		DN 25	DN 32	DN 40	DN 50	DN 65	DN 80	DN 100	
Service kit for product wetted parts									
<input type="checkbox"/>	Service kit EPDM	9611924005	9611924006	9611924006	9611924007	9611924008	9611924009	9611924010
<input type="checkbox"/>	Service kit NBR	9611924011	9611924012	9611924012	9611924013	9611924014	9611924015	9611924016
<input type="checkbox"/>	Service kit FPM	9611924017	9611924018	9611924018	9611924019	9611924020	9611924021	9611924022

Parts marked with are included in the service kit.

NB: Following parts from LKC-2 are interchangeable with LKC-1 for size DN 25 to DN 80.

Pos. 3 Valve cone

Pos. 4 Guide plate

Recommended spare parts: Service kits.

TD 900-203/2

How to contact Alfa Laval

Contact details for all countries are continually updated on our website.

Please visit www.alfalaval.com to access the information directly.

© Alfa Laval Corporate AB

This document and its contents is owned by Alfa Laval Corporate AB and protected by laws governing intellectual property and thereto related rights. It is the responsibility of the user of this document to comply with all applicable intellectual property laws. Without limiting any rights related to this document, no part of this document may be copied, reproduced or transmitted in any form or by any means (electronic, mechanical, photocopying, recording, or otherwise), or for any purpose, without the expressed permission of Alfa Laval Corporate AB. Alfa Laval Corporate AB will enforce its rights related to this document to the fullest extent of the law, including the seeking of criminal prosecution.