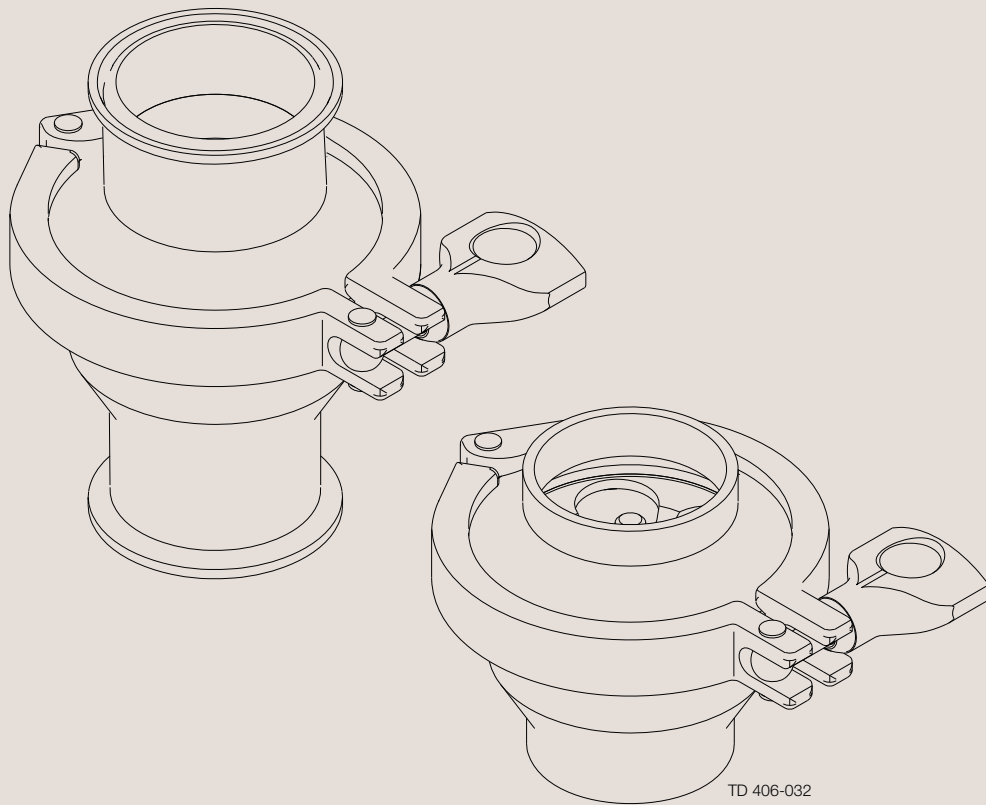




Spare Parts

LKC UltraPure, non-return Valve

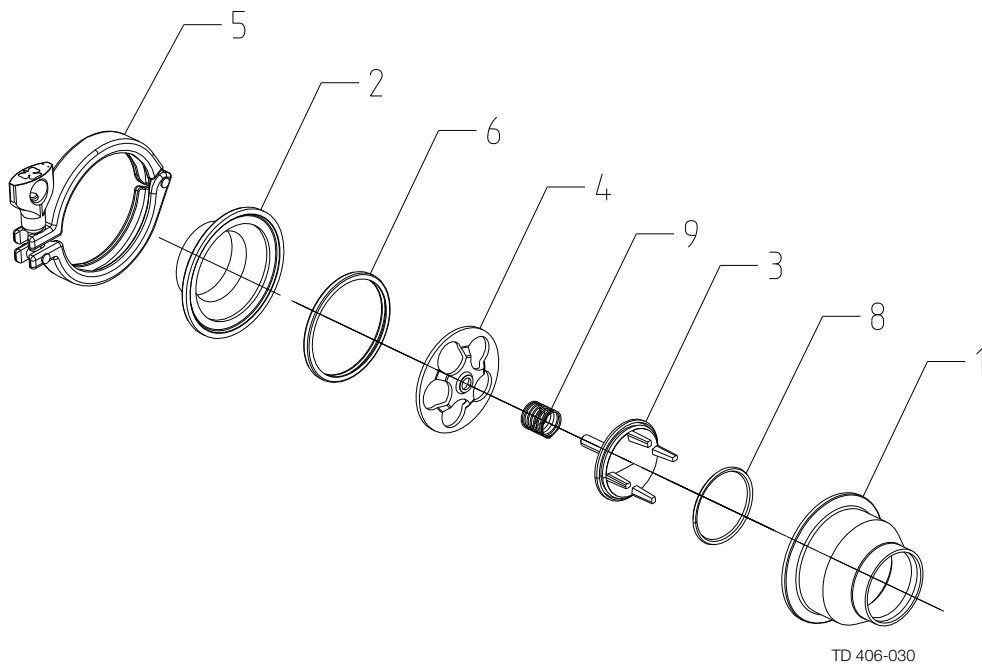


ESE00841-EN1 2011-06

Original manual

The information herein is correct at the time of issue but may be subject to change without prior notice

1. LKC UltraPure, ISO	4
2. LKC UltraPure, DIN	6



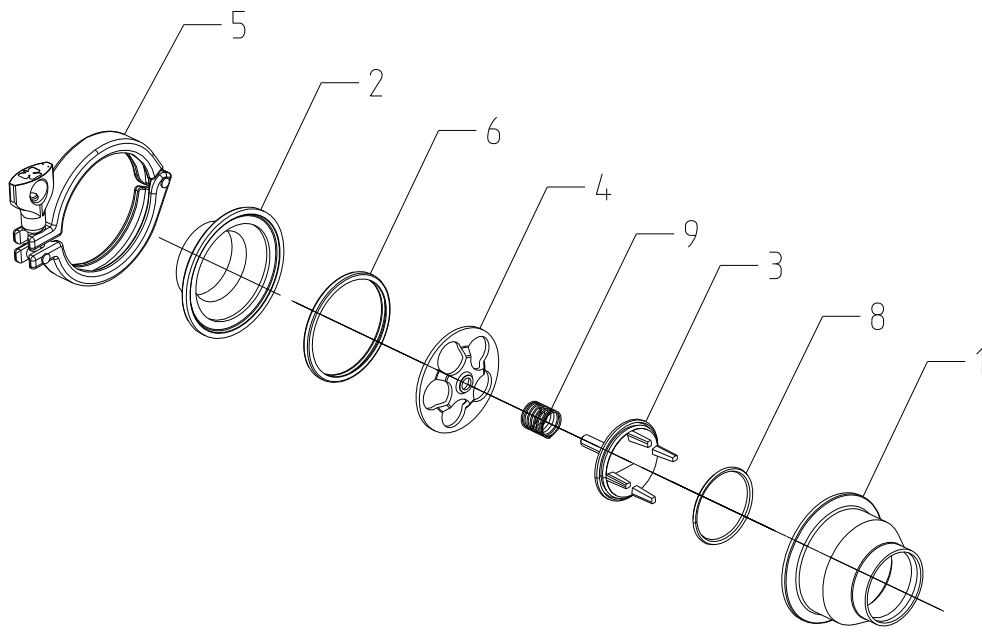
Pos	Qty	Denomination	DN/OD 25	DN/OD 38	DN/OD 51	DN/OD 63.5	DN/OD 76.1	DN/OD 101.6
1	1	Valve body, welding ends						
2	1	Welding liner, welding ends						
3	1	Valve cone	9612-2207-13	9612-2207-14	9612-2207-15	9612-2207-16	9612-2207-17	9612-2207-18
4	1	Guide plate	9612-3709-13	9612-3709-14	9612-3709-15	9612-3709-16	9612-3709-17	9612-3709-18
5	1	Clamp ring	211054	211055	211056	211057	270267	9611-31-105-7
6	□	1 Seal ring, EPDM						
		1 Seal ring, FPM						
8	□	1 O-ring, EPDM						
		1 O-ring, FPM						
9	1	Spring	9611-99-4986	9611-99-4987	9611-99-4988	9611-99-4989	9611-99-4990	9611-99-4991
			DN/OD 25	DN/OD 38	DN/OD 51	DN/OD 63.5	DN/OD 76.1	DN/OD 101.6

Service Kits for Product wetted parts

□	Service kit EPDM	9611-92-4202	9611-92-4203	9611-92-4204	9611-92-4205	9611-92-4206	9611-92-4207
□	Service kit FPM	9611-92-4017	9611-92-4018	9611-92-4019	9611-92-4020	9611-92-4021	9611-92-4022

Parts marked with □ are included in service kits.

Recommended spare parts: Service kits.



TD 406-030

Pos	Qty	Denomination	DN 25	DN 32	DN 40
1	1	Valve body, welding ends			
2	1	Welding liner, welding ends			
3	1	Valve cone	9612-2207-13	9612-2207-14	9612-2207-14
4	1	Guide plate	9612-3709-13	9612-3709-14	9612-3709-14
5	1	Clamp ring	211054	211055	211055
6	<input type="checkbox"/>	Seal ring, EPDM			
	1	Seal ring, FPM			
8	<input type="checkbox"/>	O-ring, EPDM			
	1	O-ring, FPM			
9	1	Spring	9611-99-4986	9611-99-4987	9611-99-4987

Pos	Qty	Denomination	DN 50	DN 65	DN 80	DN 100
1	1	Valve body, welding ends				
2	1	Welding liner, welding ends				
3	1	Valve cone	9612-2207-15	9612-2207-16	9612-2207-17	9612-2207-18
4	1	Guide plate	9612-3709-15	9612-3709-16	9612-3709-17	9612-3709-18
5	1	Clamp ring	211056	211057	270267	9611-31-105-7
6	<input type="checkbox"/>	Seal ring, EPDM				
	1	Seal ring, FPM				
8	<input type="checkbox"/>	O-ring, EPDM				
	1	O-ring, FPM				
9	1	Spring	9611-99-4988	9611-99-4989	9611-99-4990	9611-99-4991

			DN 25	DN 32	DN 40
--	--	--	-------	-------	-------

Service Kits for Product wetted parts

<input type="checkbox"/>	Service kit EPDM	9611-92-4202	9611-92-4203	9611-92-4203
<input type="checkbox"/>	Service kit FPM	9611-92-4017	9611-92-4018	9611-92-4018

			DN 50	DN 65	DN 80	DN 100
--	--	--	-------	-------	-------	--------

Service Kits for Product wetted parts

<input type="checkbox"/>	Service kit EPDM	9611-92-4204	9611-92-4205	9611-92-4206	9611-92-4207
<input type="checkbox"/>	Service kit FPM	9611-92-4019	9611-92-4020	9611-92-4021	9611-92-4022

Parts marked with are included in the service kits.

Recommended spare parts: Service kits.

How to contact Alfa Laval

Contact details for all countries are continually updated on our website.

Please visit www.alfalaval.com to access the information directly.

© Alfa Laval Corporate AB

This document and its contents is owned by Alfa Laval Corporate AB and protected by laws governing intellectual property and thereto related rights. It is the responsibility of the user of this document to comply with all applicable intellectual property laws. Without limiting any rights related to this document, no part of this document may be copied, reproduced or transmitted in any form or by any means (electronic, mechanical, photocopying, recording, or otherwise), or for any purpose, without the expressed permission of Alfa Laval Corporate AB. Alfa Laval Corporate AB will enforce its rights related to this document to the fullest extent of the law, including the seeking of criminal prosecution.