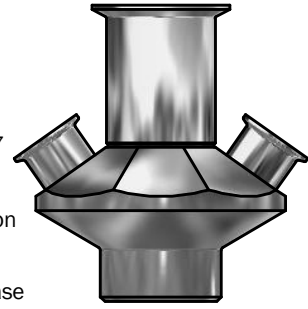


# VALVE BODY W 25 TYPE T

**ART. NO. 870001**

## GENERAL

- The KEOFIT CLASSIC W25 Sampling Valve is the largest KEOFIT sterilizable sampling valve. Designed for very high viscosity sampling. Unique serial no. for each valve ("E" = internal electro polish).
- Designed for sampling of liquids with a viscosity of up to approx. 250.000 cP containing no particles larger than Ø17 mm. Sampling of more viscous liquids is possible, only will it take longer (depending on process pressure).
- Cleaning/sterilizing: Between batches: Valve in open position: Cleanable by means of CIP using the detergent solution suitable for the actual process media (EHEDG certificate available). Between samples: Valve in its normal closed position: cleanable by CIP as "Between batches" or the valve may be sterilized by means of steam SIP (EHEDG test report available) or chemical SIP using a procedure appropriate to the actual circumstances. For further advice, please contact Keofitt.
- The sampling valve can be used for any process sampling for microbiological, chemical and/or physical analysis.



## FEATURES

- Installation: Tank welding
- Operation: Depending on choice of valve head
- Inlet / Outlet: 1" Clamp
- Membrane: Depending on choice of valve head

## CERTIFICATION\*

· EHEDG CIP · Conforms to 3-A · 3.1 Material Certificate · EU 1935/2004 · Ra Cert. incl. measurements

## TECHNICAL DATA

### Material (product contact)

· Steel parts                      AISI 316L (1.4404)

### Material (without product contact)

· Steel parts                      AISI 316L (1.4404)

### Surface Treatment

· Outside                              Electropolished Ra <= 1.2 µm  
 · Inside (wetted surface)        Ra <= 0.8 µm  
 · Process connection            Electropolished Ra <= 0.8 µm

### Pressure & Temperature

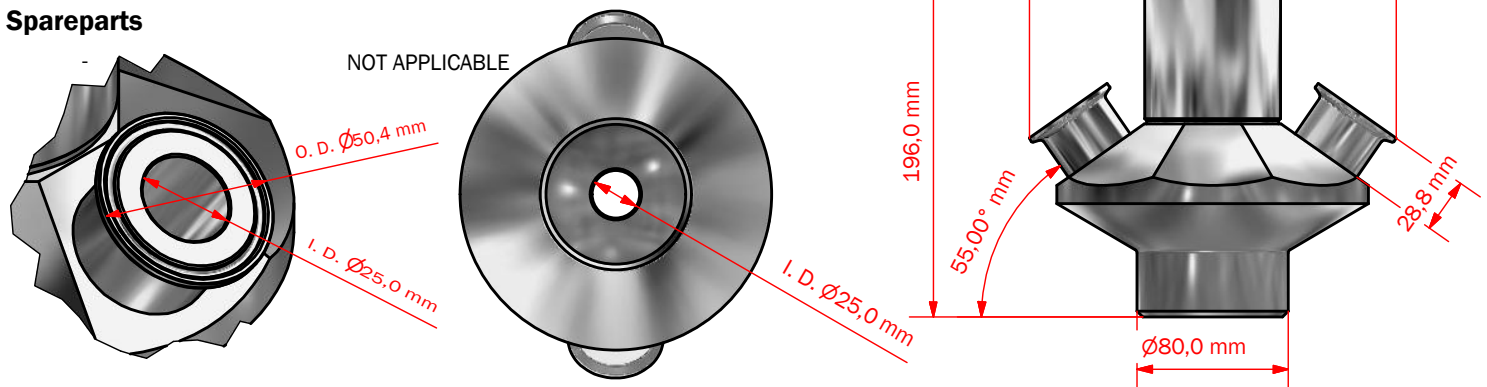
· Pressure                             Depending on choice of valve head  
 · Temperature                      Depending on choice of valve head  
 · Air supply                          -

### Net Weight

· Kg/lbs                                8,509 kg / 21,32 lbs

### Spareparts

NOT APPLICABLE



**W 25 HEADS**

<p>PTFE</p>	<p><b>Type N</b> Lever handle Pneumatic</p>	<p><b>Type B</b> No spring 0-12 bar</p>
<p>875544</p>		<p>Not available</p>
<p>EPDM</p>	<p>Not available</p>	<p>Not available</p>
<p>Silicone</p>	<p>Not available</p>	 <p>875547</p>