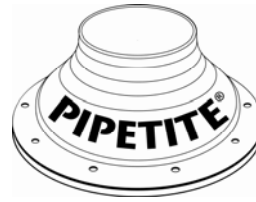


PIPETITE® GROMMET



Matrix Process Solutions

ABN 28 097 144 897

ACN 097 144 897

VICTORIA:

Unit 1/25 Kilpa Rd,
Moorabbin 3189

Ph: (03) 9553 0928

Fax: (03) 9553 0987

SOUTH AUSTRALIA:

Unit 8/36 Birralee Rd,
Regency Park 5010

Ph: (08) 8244 1322

Fax: (08) 8244 1722

QUEENSLAND:

Unit 7/33 Meakin Rd,
Meadowbrook 4131

Ph: (07) 3200 3433

Fax: (07) 3200 2477

APPLICATION:

Pipetite GROMMET is the latest in sealing technology for use on penetrations through sheet steel. Ideal for large wall plate penetrations, or machine entry points.

Pipetite GROMMET can seal a connection while allowing for significant movement of the pipe. Installation is simple, and a large range of sizes are available

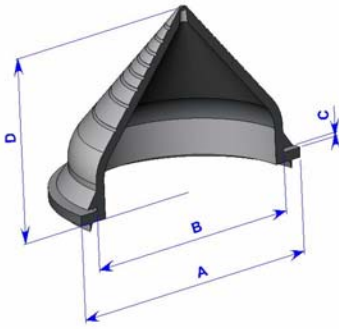
WORKING PRINCIPLE:

Pipetite Grommets base incorporates groove suitable for sheet steel up to 3.0mm thick. Installed Grommet provides full flexibility. Silicone is not required during installation. Grommet can be adapted to fit most pipe or tube diameters and allows the pipe to move significantly without causing damage or breaking the seal between the sheet and the pipe.

STANDARD DESIGN:

- Perfect solution for penetrations through machine sides, wall plates, vessel insulation.
- Available in five sizes to suit 0 – 180mm tube or pipe
- Hygienic white silicon. FDA certified.
- Total self-sealing - no sealant required
- Seal is flexible to accommodate movement
- No cracking of silicon
- 260°C temperature rating.
- No clean-up after installation
- Materials compatible with cleaning solution

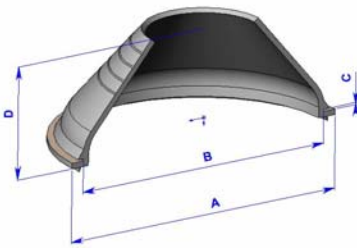
**GROMMET
PTG 25, 65, 95**



Dimensions

Part #	Size	A	B	C	D
		mm	mm	mm	mm
317130	0-25	48	36	1.2 - 3.0	45
317131	0-65	82	70	1.2 - 3.0	57
317132	0-95	120	106	1.2 - 3.0	75

**GROMMET
PTG 175 and PTG 180**



Dimensions

Part #	Size	A	B	C	D
		mm	mm	mm	mm
317133	70-135	160	146	1.2 - 3.0	61
317134	100-180	201	186	1.2 - 3.0	77

