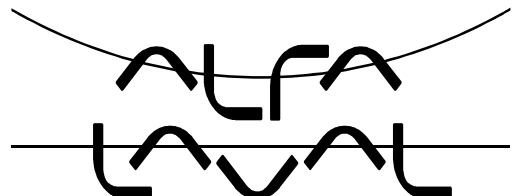


**ALFA LAVAL PUMPS LTD**

**GH RANGE  
ROTARY LOBE PUMPS**

**SPARE PARTS LIST**

Alfa Laval Pumps Ltd.  
Birch Road  
Eastbourne  
East Sussex  
England  
BN23 6PQ  
Telephone: +44 1323 412555  
Fax: +44 1323 414515  
[www.alfalaval.com](http://www.alfalaval.com)



## Table of contents

Page No.	Contents
3	<a href="#">GH422 and GH432 Pump</a>
4	<a href="#">GH422 and GH432 Pump (continued)</a>
5	<a href="#">GH522 and GH532 Pump</a>
6	<a href="#">GH522 and GH532 Pump (continued)</a>
7	<a href="#">GH422/432 - GH522/532 Exploded View Drawing</a>
8	<a href="#">GH622 and GH632 Pump</a>
9	<a href="#">GH622 and GH632 Pump (continued)</a>
10	<a href="#">GH722 and GH732 Pump</a>
11	<a href="#">GH722 and GH732 Pump (continued)</a>
12	<a href="#">GH622/632 - GH722/732 Exploded View Drawing</a>
13	<a href="#">Rotorcases - Body Part Numbers</a>
14	<a href="#">Rotorcases - Port Part Numbers</a>
15	<a href="#">Hyclean Mech Seals (complete)</a>
16	<a href="#">Hyclean Mech Seals (parts)</a>
17	<a href="#">Hyclean Mech Seal Exploded View</a>
18	<a href="#">Hyclean Flush Mech Seal Exploded View</a> R90 Mech Seals and Packed Gland - see SR/3A and NMOG spares manual Jackets and Saddles - see SR/3A and NMOG spares manual
19	<a href="#">Revision History</a>

### Notes

This publication is strictly confidential and remains the property of Alfa Laval Pumps Ltd. without whose written permission it must not be copied, reproduced or shown to third parties, and maybe subject to change without prior notice.

When identifying the spare parts required it is important to check the pump specification by referring to the pump serial number.

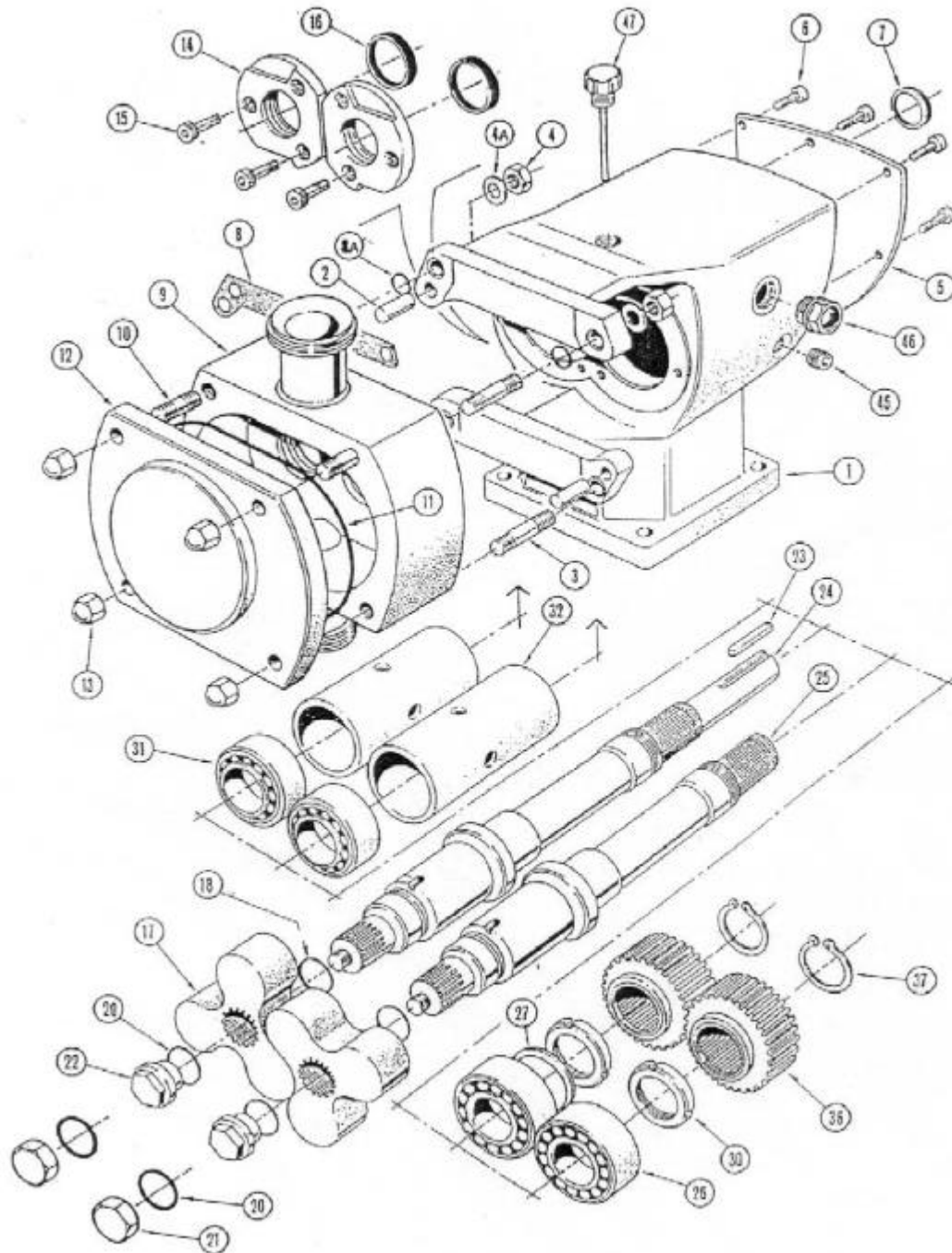


GH 422/432 Pumps						
Drg No.	Description		Qty	Part No.	Item No.	
1	Gearcase		1	31494.5220.234	9630041819	
2	Dowel		2	5170.025	9630045605	
3	Stud, rotorcase retention		4	6350.094	9630024086	
4	Nut, rotorcase retention		4	5330.000	9630024051	
4A	Washer, rotorcase retention		4	6400.037	9630024233	
5	Cover, gearcase		1	31494.5120.057	9630037124	
6	Screw, gearcase cover		6	5990.044	9630030096	
7	Lip seal, drive end	NBR FPM	1	5310.101 5310.079	9630040403 9630032807	
8	Shim	Polymex St.Stl	1 set	6150/166 6150/165	9630048018 9630048017	
8A	'O' ring, shim retaining	NBR	4	5380.267	9630027500	
9	Rotorcase, Hyclean	1.1/2" Triclamp	1	9142.083M	9630036910	
		1.1/2" Bevel Seat		GH422	9142.244M	9630034773
		1.1/2" ASA150			9142.019/257M	9630043885
		1.1/2" Triclamp			9143.274M	9630046345
		2" Triclamp		GH432	9143.084M	9630045711
		2" Bevel Seat		9143.245M	9630057625	
10	Stud, rotorcase/cover retention		4	6350.094	9630024086	
11	'O' Ring, cover - plain	NBR	1	1550.250	9630041067	
		FPM		1551.250	9630041061	
		EPDM		1555.250	9630040361	
		PTFE		1552.250	9630047204	
12	Cover, rotorcase	Plain	1	5130.372	9630033618	
		Drilled for jacket		5130.379	9630048366	
13	Dome nut, rotorcase cover		4	5340.047	9630029651	
14	Retainer, seal		2	5560.031	9630031405	
15	Screw, seal retainer		6	5990.007	9630024595	
16	Lip seal, gland end	NBR	2	5310.038	9630030623	
		FPM		5310.071	9630032797	
17	Rotor, Trilobe Stainless Steel	10 bar 70°C	2	5750.042J	9630033447	
		10 bar 130°C		GH422	5750.042K	9630046560
		10 bar 200°C			5750.042L	
		15 bar 70°C			5750.042M	9630046620
		15 bar 130°C		GH422P	5750.042N	9630051852
		15 bar 200°C			5750.042P	
	Rotor, Trilobe Stainless Steel	7 bar 70°C	2	5750.043J	9630039467	
		7 bar 130°C		GH432	5750.043K	9630050650
		7 bar 200°C			5750.043L	
		10 bar 70°C			5750.043M	9630046609
		10 bar 130°C		GH432P	5750.043N	
		10 bar 200°C			5750.043P	
Rotor, Bilobe Stainless Steel	7 bar 70°C	2	5751.043J			
	7 bar 130°C		GH432	5751.043K		
	7 bar 200°C			5751.043L		
	10 bar 70°C			5751.043M		
	10 bar 130°C		GH432P	5751.043N		
	10 bar 200°C			5751.043P		

GH 422/432 Pumps (continued)					
Drg No.	Description		Qty	Part No.	Item No.
18	'O' Ring, rotor sealing shaft end	NBR	2	1550.022	9630046452
		FPM		1551.022	9630046453
		EPDM		1555.022	9630046455
		PTFE		1558.022	9630046454
20	'O' Ring, rotor sealing nut end	NBR	2	1550.020	9630031506
		FPM		1551.020	9630046186
		EPDM		1555.020	9630046187
		PTFE		1558.020	9630046188
22	Nut, rotor retention	RH Thread	1	GH422 5900.163	9630045830
		LH Thread		GH432 5900.164	9630045832
23	Key		1	GH422 5900.183	9630046147
				GH432 5900.184	9630046148
24	Shaft, drive (St.Stl)	R90	1	5270.007	9630023916
		Hyclean		6110/713	9630050619
24	Shaft, drive (Duplex)	R90	1	6110/680	9630046426
		Hyclean		6110/714	9630050612
25	Shaft, auxiliary (St.Stl) LH Thread	R90	1	6110/681	9630046430
		Hyclean		6100/715	9630050610
25	Shaft, auxiliary (Duplex) LH Thread	R90	1	6100/682	9630046429
		Hyclean		6100/716	9630050609
26	Bearing, rear		2	6100/683	9630046428
27	Spacer, shaft abutment		1	5080.012	9630029028
30	Nut, bearing		2	5670.062.01	9630032678
31	Bearing, front		2	5340.041	9630029136
32	Spacer, bearing		2	5080.012	9630029028
36	Timing gear	St.Stl shaft	2	5670.056	9630031409
		Duplex shaft		31494.5210.042	9630033186
37	Circlip		2	31494.5210.052	9630028828
45	Drain plug		1	31494.5090.014	9630042047
47	Dipstick		1	1660.004	9630023546
50	Gland guard		2	31494.5133.004	9630042331
51	Screw, gland guard		2	31494.5243.030	9630033453
53	Washer, gland guard		2	5990.045	9630030332
			2	6400.046	9630030121

GH 522/532 Pumps						
Drg No.	Description		Qty	Part No.	Item No.	
1	Gearcase		1	31495.5220.235	9630041821	
2	Dowel		2	5170.010	9630023461	
3	Stud, rotorcase retention		4	6350.105	9630027485	
4	Nut, rotorcase retention		4	5330.000	9630024051	
4A	Washer, rotorcase retention		4	6400.037	9630024233	
5	Cover, gearcase		1	31495.5120.058	9630036988	
6	Screw, gearcase cover		6	5990.044	9630030096	
7	Lip seal, drive end	NBR FPM	1	5310.004 5310.080	9630023983 9630032808	
8	Shim	Polymex St.Stl	1 set	6150/168 6150/167	9630045499 9630045500	
8A	'O' Ring, shim retaining	NBR	4	5380.267	9630027500	
9	Rotorcase, Hyclean	2" Triclamp GH522	1	9152.084M	9630036914	
		2" Triclamp 2.1/2" Triclamp GH532		9153.271M 9153.086M	9630050827 9630027412	
10	Stud, rotorcase/cover retention		4	6350.052	9630022111	
11	'O' Ring, cover - plain	NBR	1	1550.259	9630040113	
		FPM		1551.259	9630040020	
		EPDM		1555.259	9630039970	
		PTFE		1552.259		
12	Cover, rotorcase	Plain	1	5130.373	9630033629	
		Drilled for jacket		5130.380	9630048367	
13	Dome nut, rotorcase cover		4	5340.022	9630024088	
14	Retainer, seal		2	5560.032	9630025431	
15	Screw, seal retainer		6	5990.007	9630024595	
16	Lip seal, gland end	NBR FPM	2	5310.039 5310.072	9630030625 9630032798	
		Rotor, Trilobe Stainless Steel		10 bar 70°C	5750.052J	9630023689
				10 bar 130°C	GH522 5750.052K	9630043095
				10 bar 200°C	5750.052L	9630053446
		Rotor, Trilobe Stainless Steel		15 bar 70°C	5750.052M	9630046610
				15 bar 130°C	GH522P 5750.052N	9630040953
				15 bar 200°C	5750.052P	
		Rotor, Trilobe Stainless Steel		7 bar 70°C	5750.053J	9630039415
				7 bar 130°C	GH532 5750.053K	9630036263
				7 bar 200°C	5750.053L	9630053461
Rotor, Bilobe Stainless Steel	10 bar 70°C	5750.053M	9630033036			
	10 bar 130°C	GH532P 5750.053N	9630033037			
	10 bar 200°C	5750.053P				

GH 522/532 Pumps (continued)					
Drg No.	Description		Qty	Part No.	Item No.
18	'O' Ring, rotor sealing shaft end	NBR	2	1550.026	9630038950
		FPM		1551.026	9630038951
		EPDM		1555.026	9630038952
		PTFE		1558.026	9630046456
20	'O' Ring, rotor sealing nut end	NBR	2	1550.024	9630031566
		FPM		1551.024	9630046189
		EPDM		1555.024	9630046190
		PTFE		1558.024	9630046191
22	Nut, rotor retention	RH Thread	1	GH522 5900.165	9630046130
				GH532 5900.166	9630046138
22		LH Thread	1	GH522 5900.185	9630046149
				GH532 5900.186	9630046150
23	Key		1	5270.031	9630031499
24	Shaft, drive (St.Stl)	R90	1	31495.6110.611	9630032739
		Hyclean		6110/685	9630046435
24	Shaft, drive (Duplex)	R90	1	31495.6110.625	9630029047
		Hyclean		6110/686	9630046436
25	Shaft, auxiliary (St.Stl) LH Thread	R90	1	31495.6100.699	9630029962
		Hyclean		6100/687	9630046432
25	Shaft, auxiliary (Duplex) LH Thread	R90	1	31495.6100.705	9630041621
		Hyclean		6100/688	9630046433
26	Bearing, rear		2	5080.013	9630029030
27	Spacer, shaft abutment		1	5670.063.01	9630032683
30	Nut, bearing		2	5340.042	9630029137
31	Bearing, front		2	5080.013	9630029030
32	Spacer, bearing		2	5670.058	9630029695
36	Timing gear	St.Stl shaft	2	31495.5210.043	9630036971
		Duplex shaft		31495.5210.053	9630028824
37	Circlip		2	5090.002	9630023430
45	Drain plug		1	1660.004	9630023546
47	Dipstick		1	31495.5133.005	9630042333
50	Gland guard		2	31495.5243.031	9630043637
51	Screw, gland guard		2	5990.045	9630030332
52	Washer, gland guard		2	6400.046	9630030121

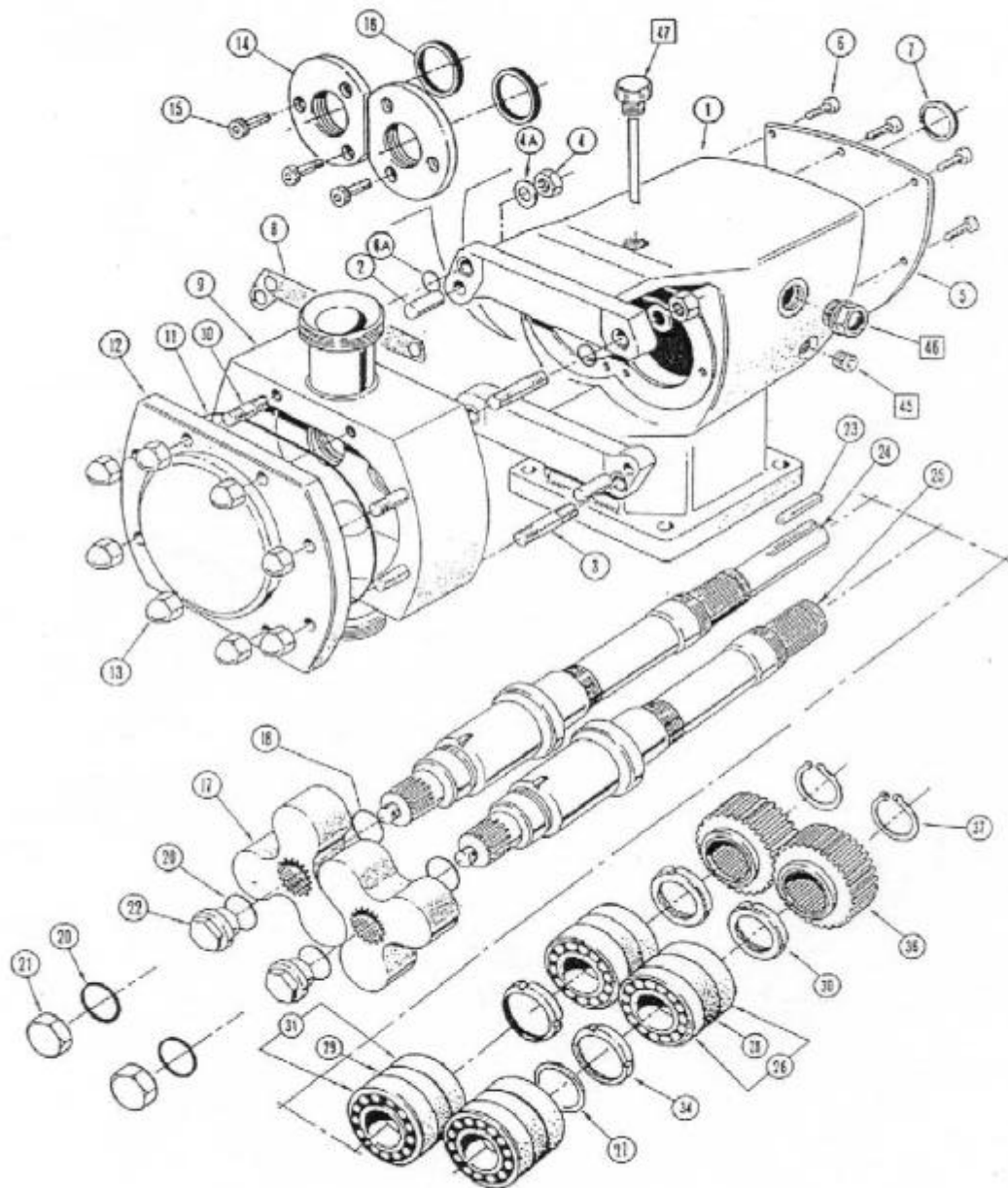


GH 622/632 Pumps						
Drg No.	Description		Qty	Part No.	Item No.	
1	Gearcase		1	31496.5220.236	9630041823	
2	Dowel		2	5170.010	9630023461	
3	Stud, rotorcase retention		4	6350.098	9630030574	
4	Nut, rotorcase retention		4	5330.001	9630024053	
4A	Washer, rotorcase retention		4	6400.038	9630024236	
5	Cover, gearcase		1	31496.5120.059	9630037122	
6	Screw, gearcase cover		6	5990.030	9630024629	
7	Lip seal, drive end	NBR FPM	1	5310.048 5310.081	9630030624 9630032809	
8	Shim	Polymex St.Stl	1 set	6150/170 6150/169	9630048305 9630048304	
8A	'O' Ring, shim retaining	NBR	4	5380.212	9630022354	
9	Rotorcase, Hyclean	2" Triclamp GH622	1	9162.271M	9630044214	
		2.1/2" Triclamp GH632		9162.086M	9630040366	
		3" Triclamp GH632		9163.149M	9630040499	
10	Stud, rotorcase/cover retention		8	6350.104	9630019863	
11	'O' Ring, cover - plain	NBR	1	1550.266	9630019374	
		FPM		1551.266	9630019373	
		EPDM		1555.266	9630019372	
		PTFE		1552.266	9630019371	
12	Cover, rotorcase	Plain	1	5130.374	9630033686	
		Drilled for jacket		5130.381	9630048368	
13	Dome nut, rotorcase cover		8	5340.047	9630029651	
14	Retainer, seal		2	5560.034	9630028443	
15	Screw, seal retainer		6	5990.030	9630024629	
16	Lip seal, gland end	NBR FPM	2	5310.041	9630030627	
				5310.074	9630032800	
		Rotor, Trilobe Stainless Steel	10 bar 70°C	GH622	5750.062J	9630023651
			10 bar 130°C		5750.062K	9630044889
			10 bar 200°C		5750.062L	9630092981
			20 bar 70°C		5750.062M	9630025586
			20 bar 130°C		5750.062N	9630048365
			20 bar 200°C		5750.062P	9630048364
		Rotor, Bilobe Stainless Steel	10 bar 70°C	GH622	5751.062J	
			10 bar 130°C		5751.062K	
			10 bar 200°C		5751.062L	
			20 bar 70°C		5751.062M	
20 bar 130°C	5751.062N					
20 bar 200°C	5751.062P					
Rotor, Trilobe Stainless Steel	7 bar 70°C	GH632	5750.063J	9630039383		
	7 bar 130°C		5750.063K	9630050654		
	7 bar 200°C		5750.063L			
	15 bar 70°C		5750.063M	9630046621		
	15 bar 130°C		5750.063N	9630050658		
	15 bar 200°C		5750.063P			
Rotor, Bilobe Stainless Steel	7 bar 70°C	GH632	5751.063J			
	7 bar 130°C		5751.063K			
	7 bar 200°C		5751.063L			
	15 bar 70°C		5751.063M			
	15 bar 130°C		5751.063N			
	15 bar 200°C		5751.063P			

GH 622/632 Pumps (continued)					
Drg No.	Description		Qty	Part No.	Item No.
18	O' Ring, rotor sealing shaft end	NBR	2	1550.030	9630046196
		FPM		1551.030	9630038931
		EPDM		1555.030	9630046197
		PTFE		1558.030	9630046198
20	'O' Ring, rotor sealing nut end	NBR	2	1550.029	9630046192
		FPM		1551.029	9630046193
		EPDM		1555.029	9630046194
		PTFE		1558.029	9630046195
22	Nut, rotor retention	RH Thread	1	GH622 5900.167	9630046132
				GH632 5900.168	9630046140
22		LH Thread	1	GH622 5900.187	9630046151
				GH632 5900.188	9630046152
23	Key		1	5270.011	9630023932
24	Shaft, drive (St.Stl)	R90	1	31496.6110.613	9630030120
		Hyclean		6110/689	9630046441
24	Shaft, drive (Duplex)	R90	1	31496.6110.626	9630029059
		Hyclean		6110/690	9630046442
25	Shaft, auxiliary (St.Stl) LH Thread	R90	1	31496.6100.700	9630029459
		Hyclean		6100/691	9630046438
25	Shaft, auxiliary (Duplex) LH Thread	R90	1	31496.6100.706	9630047561
		Hyclean		6100/692	9630046439
26	Bearing, rear		4	5080.014	9630029032
27	Spacer, shaft abutment		1	5670.065.01	9630035207
28	Spacer, bearing drive end		2	5670.050	9630027142
29	Spacer, bearing gland end		2	5670.049	9630031175
30	Nut, bearing rear		2	5340.043	9630029138
31	Bearing, front		4	5080.015	9630029034
34	Nut, bearing front		2	5340.035	9630024100
36	Timing gear	St.Stl shaft	2	31496.5210.044	9630030537
		Duplex shaft		31496.5210.054	9630028841
37	Circlip		2	31496.5090.015	9630029426
45	Drain plug		1	1660.008	9630023548
47	Dipstick		1	31496.5133.006	9630042335
50	Gland guard		2	31496.5243.032	9630036977
51	Screw, gland guard		2	5990.045	9630030332
52	Washer, gland guard		2	6400.046	9630030121

GH 722/732 Pumps						
Drg No.	Description		Qty	Part No.	Item No.	
1	Gearcase		1	31497.5220.237	9630041825	
2	Dowel		2	5170.010	9630023461	
3	Stud, rotorcase retention		4	6350.098	9630030574	
4	Nut, rotorcase retention		4	5330.001	9630024053	
4A	Washer, rotorcase retention		4	6400.038	9630024236	
5	Cover, gearcase		1	31497.5120.060	9630036990	
6	Screw, gearcase cover		6	5990.030	9630024629	
7	Lip seal, drive end	NBR FPM	1	5310.012 5310.082	9630023996 9630032810	
8	Shim - NMOG vert ported without shim retainer	Polymex St.Stl	1 set	6150/172 6150/171	9630048307 9630048306	
8A	'O' Ring, shim retaining	NBR	4	5380.212	9630022354	
9	Rotorcase, Hyclean	3" Triclamp 4" Triclamp	1	GH722 GH732	9172.149M 9630039599	
10	Stud, rotorcase/cover retention		8	6350.104	9630019863	
11	'O' Ring, cover - plain	NBR FPM EPDM PTFE	1	1550.273 1551.273 1555.273 1552.273	9630046179 9630046180 9630046181 9630022526	
12	Cover, rotorcase	Plain Drilled for jacket	1	5130.375 5130.382	9630033684 9630048369	
13	Dome nut, rotorcase cover		8	5340.047	9630029651	
14	Retainer, seal		2	5560.036	9630026099	
15	Screw, seal retainer		6	5990.030	9630024629	
16	Lip seal, gland end	NBR FPM	2	5310.043 5310.076	9630030630 9630032802	
17	Rotor, Trilobe Stainless Steel	10 bar 70°C	2	5750.072J	9630023649	
		10 bar 130°C		GH722	5750.072K	9630047363
		10 bar 200°C			5750.072L	
		20 bar 70°C			5750.072M	9630039669
		20 bar 130°C		GH722P	5750.072N	9630047631
		20 bar 200°C			5750.072P	9630048370
	Rotor, Bilobe Stainless Steel	10 bar 70°C	2	5751.072J		
		10 bar 130°C		GH722	5751.072K	
		10 bar 200°C			5751.072L	
		20 bar 70°C			5751.072M	
		20 bar 130°C		GH722P	5751.072N	
		20 bar 200°C			5751.072P	
	Rotor, Trilobe Stainless Steel	7 bar 70°C	2	5750.073J	9630039125	
		7 bar 130°C		GH732	5750.073K	9630049747
		7 bar 200°C			5750.073L	
		15 bar 70°C			5750.073M	9630046556
15 bar 130°C		GH732P		5750.073N	9630050659	
15 bar 200°C				5750.073P		
Rotor, Bilobe Stainless Steel	7 bar 70°C	2	5751.073J			
	7 bar 130°C		GH732	5751.073K		
	7 bar 200°C			5751.073L		
	15 bar 70°C			5751.073M		
	15 bar 130°C		GH732P	5751.073N		
	15 bar 200°C			5751.073P		

GH 722/732 Pumps (continued)					
Drg No.	Description		Qty	Part No.	Item No.
18	O' Ring, rotor sealing shaft end	NBR	2	1550.135	9630037151
		FPM		1551.135	9630037153
		EPDM		1555.135	9630037150
		PTFE		1558.135	9630037154
20	'O' Ring, rotor sealing nut end	NBR	2	1550.133	9630037146
		FPM		1551.133	9630037148
		EPDM		1555.133	9630037145
		PTFE		1558.133	9630037149
22	Nut, rotor retention	RH Thread	1	GH722 5900.169	9630046134
		LH Thread		GH732 5900.170	9630046142
23	Key		1	GH722 5900.189	9630046153
				GH732 5900.190	9630046154
24	Shaft, drive (St.Stl)	R90	1	5270.013	9630023940
		Hyclean		31497.6110.615 6110/693	9630030072 9630046444
25	Shaft, drive (Duplex)	R90	1	31497.6110.627 6110/694	9630028933 9630046445
		Hyclean		31497.6100.701 6100/695	9630029614 9630046447
26	Shaft, auxiliary (St.Stl) LH Thread	R90	1	31497.6100.707 6100/696	9630047562 9630046448
		Hyclean			
27	Bearing, rear		4	5080.015	9630029034
28	Spacer, shaft abutment		1	5670.067.01	9630035209
29	Spacer, bearing drive end		2	5670.049	9630031175
30	Spacer, bearing gland end		2	5670.051	9630031133
31	Nut, bearing rear		2	5340.035	9630024100
32	Bearing, front		4	5080.017	9630029036
33	Nut, bearing front		2	5340.045	9630029139
34	Timing gear		2	31497.5210.045	9630029920
35	Circlip		2	31497.5090.016	9630042048
36	Drain plug		1	1660.008	9630023548
37	Dipstick		1	31497.5133.007	9630042337
38	Gland guard		2	5243.027	9630034156
39	Screw, gland guard		2	5990.045	9630030332
40	Washer, gland guard		2	6400.046	9630030121



## Rotorcases - Body Part Numbers

Due to the high number of combinations of rotorcase body and port standard the below tables show how to construct the complete rotorcase part number.

**Example:**

Rotorcase machined for Hyclean mechanical seal with 1.1/2" (40mm) Triclamp connections for GH422 pump.

Part number 9142.083M = 9 + 142 + 083 + M

where 9 = constant

142 = rotorcase body code

083 = rotorcase port code

M = constant (GH)

R90 = R90 and Packed Gland Seal

HYC = Hyclean Seal

HS = drilled for Heating Saddle

RECT = Rectangular Inlet

Port bore information is for internal use only

Rotorcase Body	Port Bore		R90	R90 HS	R90 RECT	R90 RECT HS	HYC	HYC HS	HYC RECT	HYC RECT HS
	Size (mm)	Code								
<b>GH422</b>	ENL	26.0	C	042	542	242	142	642	342	
<b>GH432</b>	ENL	34.9	D/E	043	543	243	143	643	343	
<b>GH522</b>	ENL	34.9	D/E	052	552	252	152	652	352	
<b>GH532</b>	ENL	47.6	G/H	053	553	253	153	653	353	
<b>GH622</b>	ENL	47.6	G/H	062	562	262	162	662	362	
<b>GH632</b>	ENL	63.0	K	063	563	263	163	663	363	
<b>GH722</b>	ENL	63.0	K	072	572	272	172	672	372	
<b>GH732</b>	ENL	78.0	O	073	573	273	173	673	373	

Rotorcases - Port Part Numbers											
Rotorcase Port	Port Bore			BSP	BSPT	NPT	IDF	RJT	ILC	3A ACME	RDG
	Size (mm)	Bore	Code								
422	40	26.0	C	027	059	051	043	035	115	067	107
432	40	34.9	D	252	696	695	318	342	700	697	699
432/522	50	34.9	E	028	060	052	044	036	116	068	108
532/622	50	47.6	G	231	283	707	233	232	710	708	383
532/622	65	47.6	H	030	062	054	046	038	118	070	110
632/722	80	63.0	K	135	143	141	139	137	157	145	155
732	100	78.0	O	136	144	142	140	138	158	146	156
Rotorcase Port	Port Bore			SMS	SMS FS	DIN 11851	Tri Clamp BS4825	I LINE	SRJT	Thread Bevel Seat	DS
	Size (mm)	Bore	Code								
422	40	26.0	C	075	099	091	083	123	566	244	288
432	40	34.9	D	253	698	276	274	701	567	420	289
432/522	50	34.9	E	076	100	092	084	124	568	245	290
532/622	50	47.6	G	234	709	235	271	711	570	421	292
532/622	65	47.6	H	078	102	094	086	126	508	247	293
632/722	80	63.0	K	147	153	151	149	159	509	250	294
732	100	78.0	O	148	154	152	150	160	573	251	296
Rotorcase Port	Port Bore			BS10 E	BS10 F	ASA 150RF	ASA 300RF	BS 4504 PN16	JIS B2212/ 10F	ASA 150FF	SMS Sodime
	Size (mm)	Bore	Code								
422	40	26.0	C	003	170	019	199	011	181	213	398
432	40	34.9	D	694	702	360	704	416	703	705	399
432/522	50	34.9	E	004	171	020	200	012	182	214	400
532/622	50	47.6	G	706	712	272	714	327	713	715	402
532/622	65	47.6	H	006	173	022	202	014	184	216	403
632/722	80	63.0	K	129	176	133	203	131	186	217	406
732	100	78.0	O	130	177	134	205	132	188	219	407
Rotorcase Port	Port Bore			Rotorcase bottom port code for flanged bend							
	Size (mm)	Bore	Code								
422	40	26.0	C	257							
432	40	34.9	D	-							
432/522	50	34.9	E	258							
532/622	50	47.6	G	273							
532/622	65	47.6	H	259							
632/722	80	63.0	K	260							
732	100	78.0	O	261							
Flanged Bends											
Rotorcase Port	Port Bore			ASA 150RF	PTFE Gasket						
	Size (mm)	Bore	Code								
422	40	26.0	C	5000.398	5198.170						
432	40	34.9	D	-	-						
432/522	50	34.9	E	5000.399	5198.171						
532/622	50	47.6	G	5000.399	5198.171						
532/622	65	47.6	H	5000.400	5198.172						
632/722	80	63.0	K	5000.401	5198.173						
732	100	78.0	O	5000.402	5198.174						

**Hyclean Single Mechanical Seals (Complete) - GH Pump Models**

2 seals per pump. It is recommended to replace both sets of seals when wear dictates seal replacement

Rotary Seal / Stationary Seal Ring	'O' Rings	GH 422/432		GH 522/532	
		Part No.	Item No.	Part No.	Item No.
Stainless Steel / Carbon	NBR	7600.102N	9630046729	7600.103N	9630046733
	EPDM	7600.102E	9630046731	7600.103E	9630046735
	FPM	7600.102V	9630046730	7600.103V	9630046734
Silicon Carbide / Carbon	NBR	7600.182N	9630046745	7600.183N	9630046749
	EPDM	7600.182E	9630046747	7600.183E	9630046751
	FPM	7600.182V	9630046746	7600.183V	9630046750
Silicon Carbide / Silicon Carbide	NBR	7600.202N	9630046758	7600.203N	9630046761
	EPDM	7600.202E	9630046760	7600.203E	9630046763
	FPM	7600.202V	9630046759	7600.203V	9630046762

Description	Qty	GH 422/432		GH 522/532	
		Part No.	Item No.	Part No.	Item No.
Retaining Clip	4	31494.5087.052	9630042394	31495.5087.053	9630042396
Screw, Retaining Clip	4	5990.067	9630027365	5990.064	9630042399

**Flushed Hyclean Mechanical Seals:**

Description	Drg No.	Qty	GH 422/432		GH 522/532	
			Part No.	Item No.	Part No.	Item No.
Lip Seal (FPM)	9	2	5310.107	9630043050	5310.027	9630024046
Housing, NPT	8	2	5265.285B	9630034608	5265.286B	9630035005
'O' Ring (FPM)	7	2	1551.139	9630043054	5380.399	9630043058
Screw, Housing	-	4	5990.011	9630024601	5990.066	9630028936

Note: Retaining clip and screw not required for flushed seals.

Rotary Seal / Stationary Seal Ring	'O' Rings	GH 622/632		GH 722/732	
		Part No.	Item No.	Part No.	Item No.
Stainless Steel / Carbon	NBR	7600.104N	9630046737	7600.105N	9630046738
	EPDM	7600.104E	9630046741	7600.105E	9630046744
	FPM	7600.104V	9630046740	7600.105V	9630046743
Silicon Carbide / Carbon	NBR	7600.184N	9630046752	7600.185N	9630046755
	EPDM	7600.184E	9630046754	7600.185E	9630046757
	FPM	7600.184V	9630046753	7600.185V	9630046756
Silicon Carbide / Silicon Carbide	NBR	7600.204N	9630046765	7600.205N	9630046769
	EPDM	7600.204E	9630046767	7600.205E	9630046771
	FPM	7600.204V	9630046766	7600.205V	9630046770

Description	Qty	GH 622/632		GH 722/732	
		Part No.	Item No.	Part No.	Item No.
Retaining Clip	4	31495.5087.053	9630042396	31495.5087.053	9630042396
Screw, Retaining Clip	4	5990.064	9630042399	5990.064	9630042399

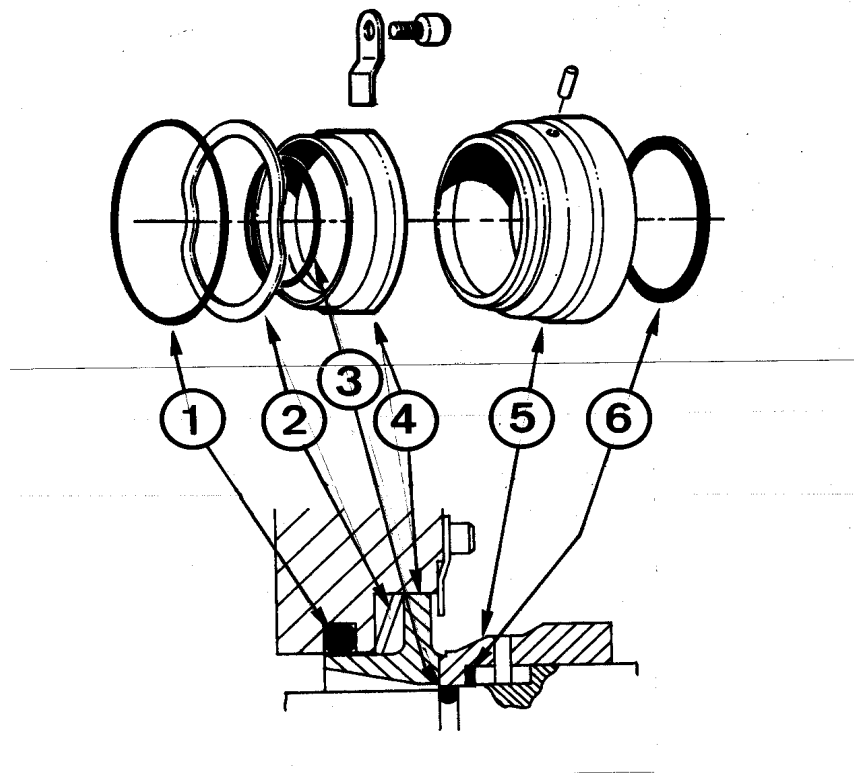
**Flushed Hyclean Mechanical Seals:**

Description	Drg No.	Qty	GH 622/632		GH 722/732	
			Part No.	Item No.	Part No.	Item No.
Lip Seal (FPM)	9	2	5310.109	9630043052	5310.052	9630028335
Housing, NPT	8	2	5265.287B	9630047784	5265.288B	9630048338
'O' Ring (FPM)	7	2	5380.403	9630043060	5380.407	9630043063
Screw, Housing	-	4	5990.066	9630028936	5990.034	9630024635

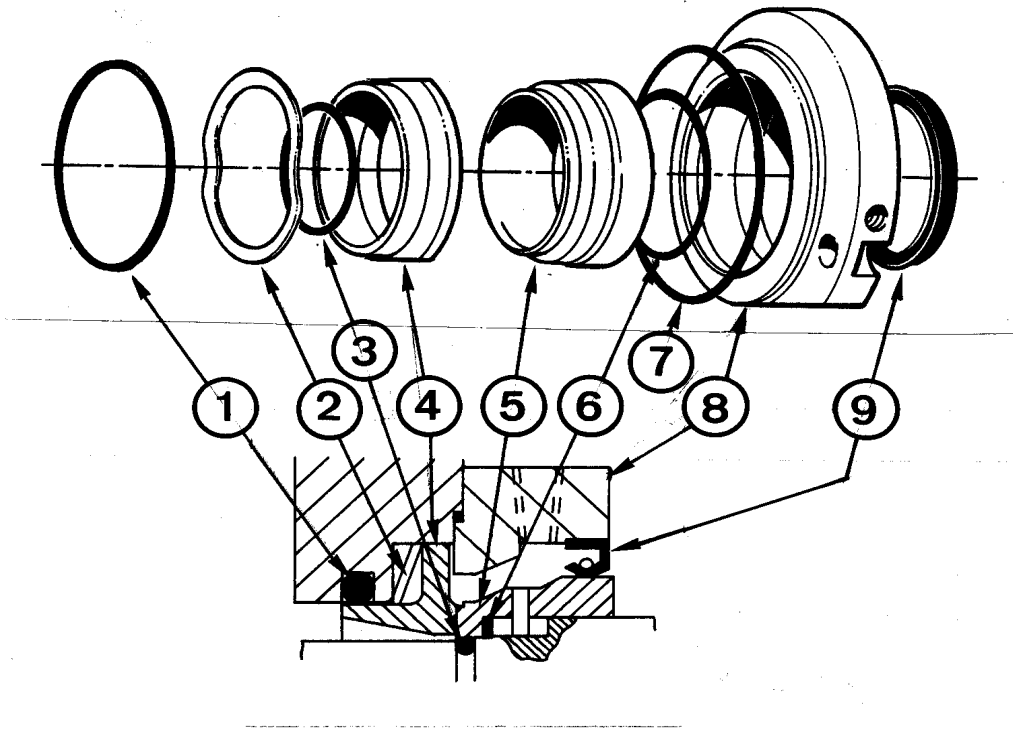
Note: Retaining clip and screw not required for flushed seals.

Hyclean Single Mechanical Seals (Parts) - GH Pump Models							
Drg No.	Description	Material	Qty	GH 422/432		GH 522/532	
				Part No	Item No	Part No	Item No
1	Rotorcase 'O' Ring	NBR EPDM FPM	2	31494.5001.1	9630042759	31495.5001.1	9630042771
				31494.5001.5	9630042761	31495.5001.5	9630042773
				31494.5001.2	9630042760	31495.5001.2	9630042772
2	Wave Spring		2	31494.0508.1	9630042767	31495.0508.1	9630042780
3	Shaft 'O' Ring	NBR EPDM FPM	2	1550.121	9630019400	1550.124	9630046505
				1555.121	9630025331	1555.124	9630046509
				1551.121	9630019399	1551.124	9630046508
4	Stationary Seal Ring	Solid Carbon Silicon Carbide Inserted Sil.Car.	2	31494.0501.2	9630029349	31495.0501.2	9630037760
				31494.0501.3	9630029474	31495.0501.3	9630042768
				31494.0501.9	9630057066	31495.0501.9	9630056418
5	Rotary Seal Ring	Stainless Steel Silicon Carbide	2	31494.0506.1	9630042757	31495.0506.1	9630042769
				31494.0506.3	9630042758	31495.0506.3	9630042770
6	Washer	NBR FPM	2	6400.069	9630046535	6400.070	9630046536
				6400.073	9630046695	6400.074	9630046696
Drg No.	Description	Material	Qty	GH 622/632		GH 722/732	
				Part No	Item No	Part No	Item No
1	Rotorcase 'O' Ring	NBR EPDM FPM	2	31496.5001.1	9630042786	31497.5001.1	9630042799
				31496.5001.5	9630042788	31497.5001.5	9630042801
				31496.5001.2	9630042787	31497.5001.2	9630042800
2	Wave Spring		2	31496.0508.1	9630042794	31497.0508.1	9630042807
3	Shaft 'O' Ring	NBR EPDM FPM	2	1550.131	9630023353	1550.137	9630046511
				1555.131	9630023531	1555.137	9630046514
				1551.131	9630023418	1551.137	9630046513
4	Stationary Seal Ring	Solid Carbon Silicon Carbide Inserted Sil.Car.	2	31496.0501.2	9630025796	31497.0501.2	9630039819
				31496.0501.3	9630042783	31497.0501.3	9630042795
				31496.0501.9	9630052311	31497.0501.9	9630052312
5	Rotary Seal Ring	Stainless Steel Silicon Carbide	2	31496.0506.1	9630042784	31497.0506.1	9630042797
				31496.0506.3	9630042785	31497.0506.3	9630042798
6	Washer	NBR FPM	2	6400.071	9630046537	6400.072	9630046538
				6400.075	9630046697	6400.076	9630046698

Hyclean Mechanical Seal - Exploded View Drawing



Hyclean Flushed Mechanical Seal - Exploded View Drawing



Revision History			
Issue	Ref	Date	Description
GH		1992	<b>GH introduced to replace NMOG "MKI" for USA only.</b>
			<b>GH available only in 422/432 to 722/732 sizes.</b>
			The GH retained the vernier timing and shaft centres of the NMOG MKI.
			The spline and rotorcase cover sealing were upgraded to the same as the NMOG.
			Hyclean seal on pump size NMOG 422/432 upgraded, requiring different shafts.
<b>NMOG</b>		<b>1996</b>	The "L" ring on the Hyclean seal replaced by an 'O' ring on all sizes
2	0211	01/11/2002	GH pump range phased out and replaced by NMOG NEW MANUAL