

Security device

Vacuum pressure relief valve

Design

DEFINOX offers two models of pressure/vacuum valve:

- a compact valve with a 2" or 2"1/2 clamp connection or DIN 50 socket,
- a 4" valve with a clamp connection. This model is equipped with a manual forced opening device.

These valves are available in the following pressure/vacuum ranges:

- vacuum: 30 mbar,
- pressure: 0.05 to 2 bar, depending on the spring.

They are made of 316L stainless steel and equipped with a PTFE plug and silicone seal to avoid sticking. The discharge from these valves is not channelled.



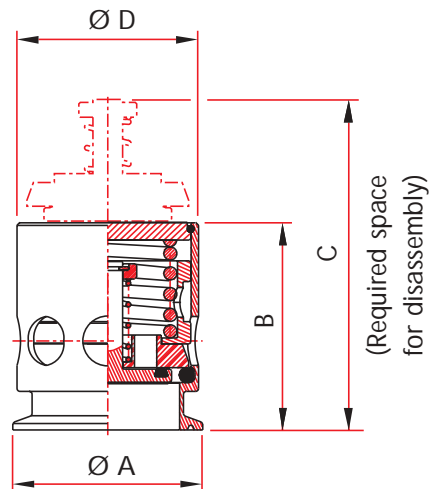
List of vacuum pressure relief valve springs

Pressure		Vacuum pressure relief valve	
in bar	in psi	2" & 2"1/2 clamp - DN 50 DIN	4" clamp
0,2	2,8		7007824
0,5	7		7601117
0,7	9,8	7007816	
1	14	7007817	7007808
1,2	16,8		
1,3	18,2		7007803
1,4	19,6	7007818	
1,7	23,8		7007794
1,8	25,2	7007819	
2	28		7007789
2,5	35	7007820	
2,75	38,5		7007829
3	42		
Vacuum			
0,03	0,42	7007729	7007814

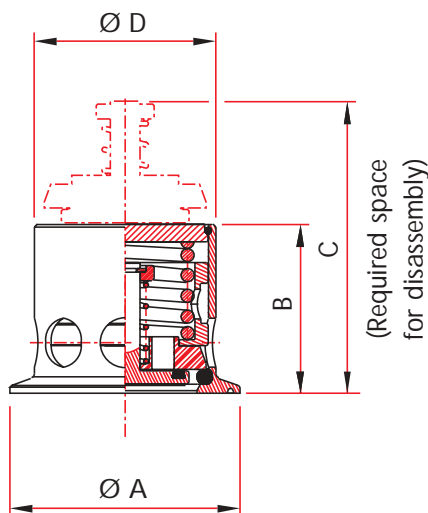
Security device Vacuum pressure relief valve

Dimensions

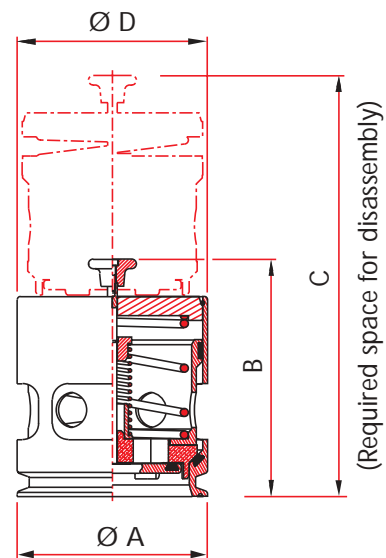
2" clamp valve



2" 1/2 clamp valve



4" clamp valve



DN		Ø A	B	C	Ø D	Weight in kg
DIN	US					
	2"	64	70	112	61	0,58
50		68	57	106	61	0,73
	2"1/2	77,5	57	99	61	0,53
	4"	119	151	270	119	4,07

Working conditions

FOR ALL DIAMETERS OF VACUUM PRESSURE RELIEF VALVE	
Maximum temperature: +80 °C	Minimum temperature: 0 °C