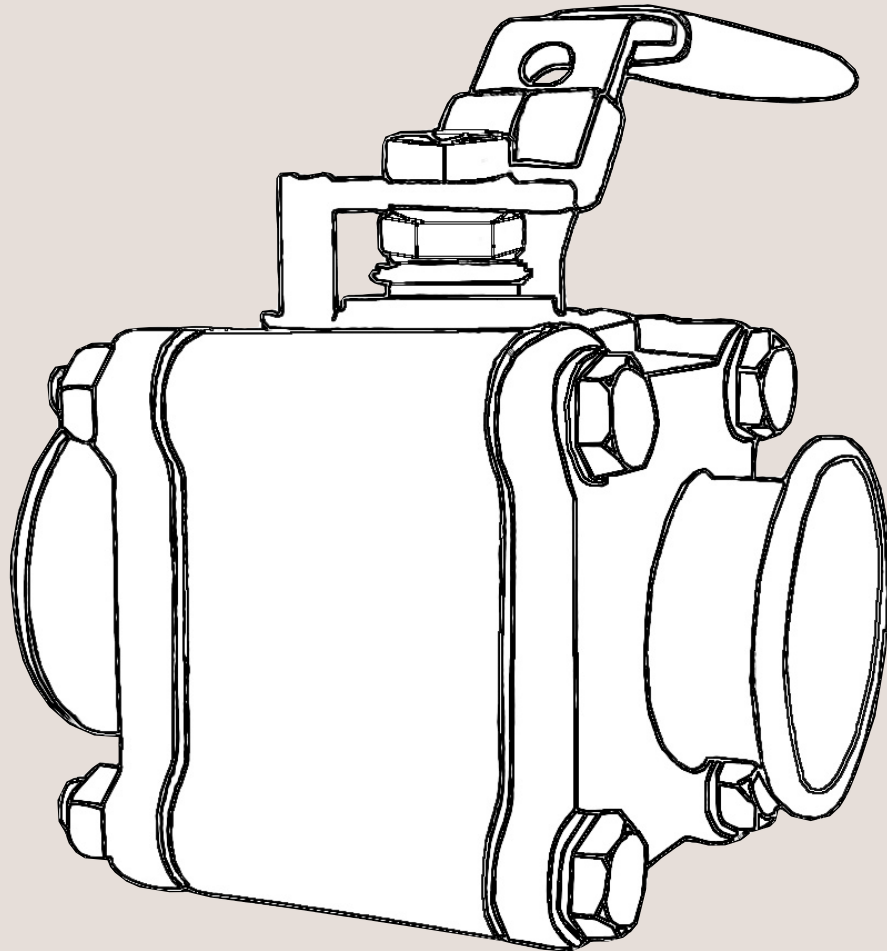




## Spare Parts

Ball Valves, 5308/5309 Series for 1/2" to 4"



ESE01784-EN3 2012-08

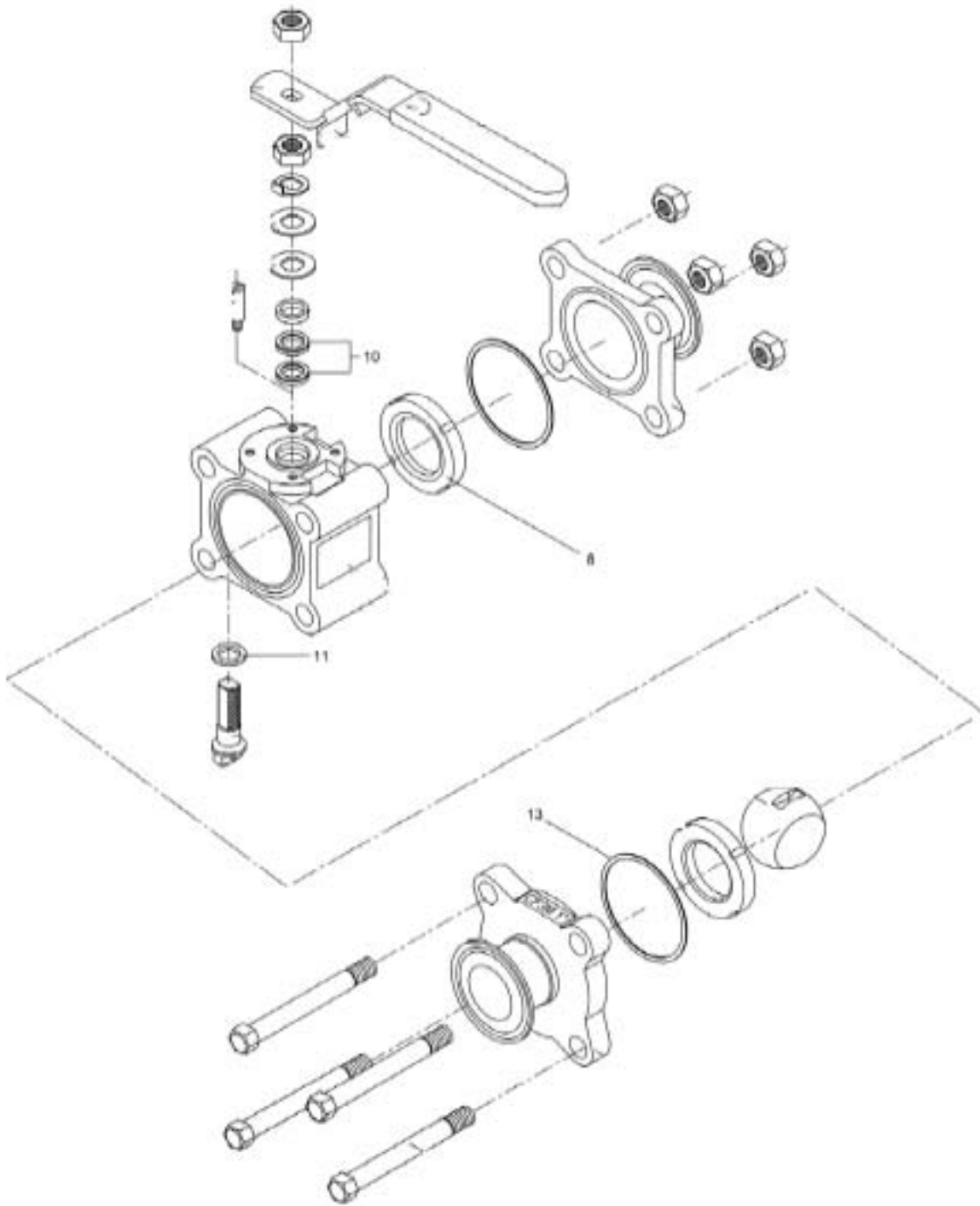
Original manual



---

*The information herein is correct at the time of issue but may be subject to change without prior notice*

- 1. Ball Valve, 5308/5309 Series for 1/2" to 2" ..... 4**
- 2. Ball Valve, 5308/5309 Series for 3" to 4" ..... 6**

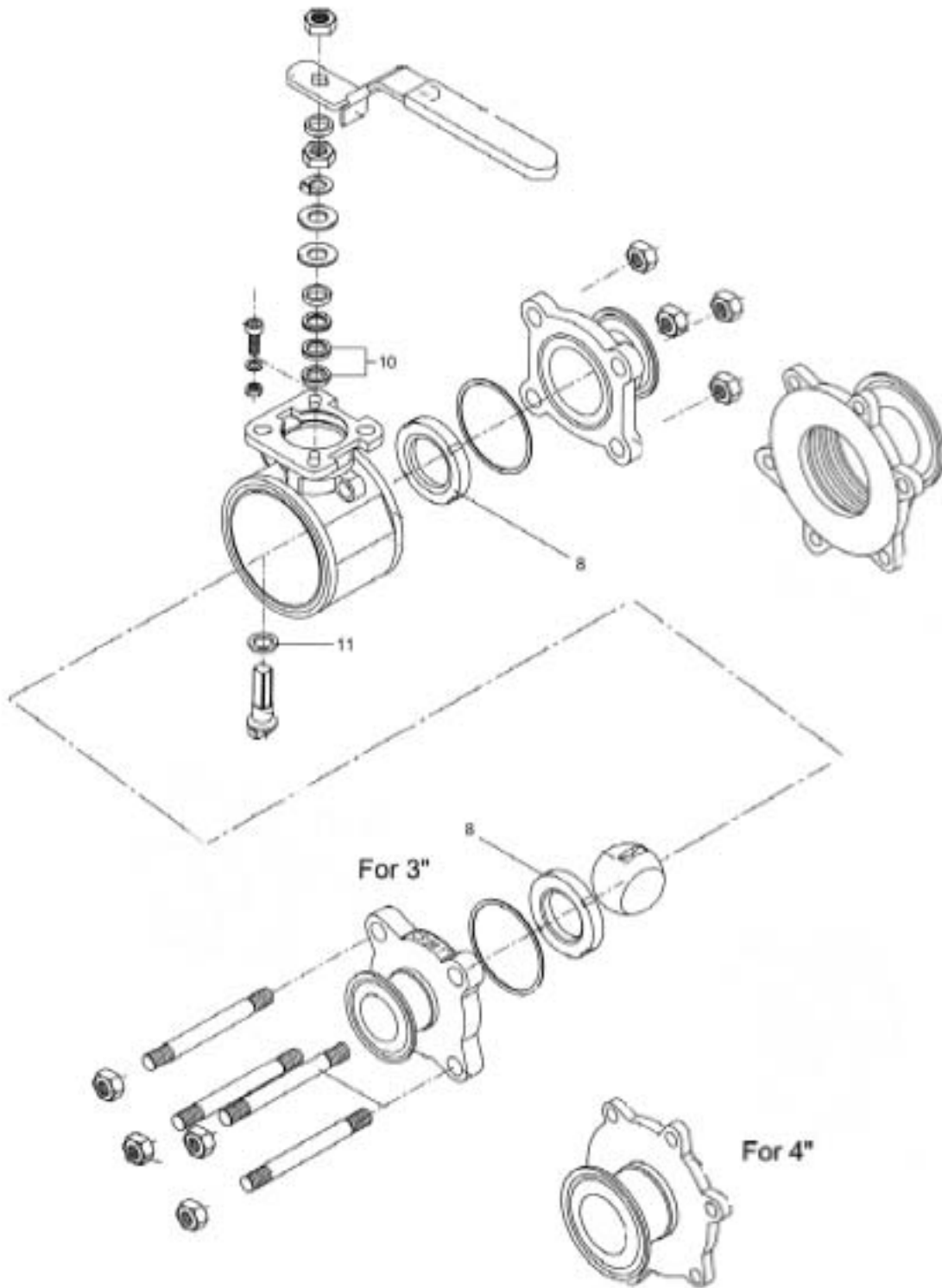


Ball Valve, 5308/5309 Series for 1/2" to 2"

Pos	Qty	Denomination	1/2"	3/4"	1"	1 1/2"	2"
8	<input type="checkbox"/>	2 Seat, PTFE .....					
10	<input type="checkbox"/>	2 Stem packing, PTFE .....					
11	<input type="checkbox"/>	1 Stem seal, PTFE .....					
13	<input type="checkbox"/>	2 Joint gasket, PTFE .....					

Not sold individually. Sold only in kit.

			1/2"	3/4"	1"	1 1/2"	2"
<b>Service Kits for 1/2" to 2"</b>							
<input type="checkbox"/>		Service kits, Standard .....	9613830052	9613830064	9613830048	9613830044	9613830056
<input type="checkbox"/>		Service kits, Standard Encapsulated .....	9613830053	9613830065	9613830049	9613830045	9613830057
<input type="checkbox"/>		Service kits, Reinforced .....	9613830050	9613830062	9613830046	9613830042	9613830054
<input type="checkbox"/>		Service kits, Reinforced Encapsulated .....	9613830051	9613830063	9613830047	9613830043	9613830055



Ball Valves, 5308/5309 Series for 3" and 4"

Pos	Qty	Denomination	3"	4"
8	<input type="checkbox"/>	2 Seat, PTFE .....		
10	<input type="checkbox"/>	1 V-ring packing, PTFE, set .....		
11	<input type="checkbox"/>	1 Stem seal, PTFE .....		
13	<input type="checkbox"/>	2 Body gasket, PFTE .....		

Not sold individually. Sold only in kit.

			3"	4"
<b>Service Kits for 3" and 4"</b>				
<input type="checkbox"/>		Service kits, Standard .....	9613830060	9613830068
<input type="checkbox"/>		Service kits, Standard Encapsulated .....	9613830061	9613830069
<input type="checkbox"/>		Service kits, Reinforced .....	9613830058	9613830066
<input type="checkbox"/>		Service kits, Reinforced Encapsulated .....	9613830059	9613830067

**How to contact Alfa Laval**

Contact details for all countries are continually updated on our website.

Please visit [www.alfalaval.com](http://www.alfalaval.com) to access the information directly.

© Alfa Laval Corporate AB

This document and its contents is owned by Alfa Laval Corporate AB and protected by laws governing intellectual property and thereto related rights. It is the responsibility of the user of this document to comply with all applicable intellectual property laws. Without limiting any rights related to this document, no part of this document may be copied, reproduced or transmitted in any form or by any means (electronic, mechanical, photocopying, recording, or otherwise), or for any purpose, without the expressed permission of Alfa Laval Corporate AB. Alfa Laval Corporate AB will enforce its rights related to this document to the fullest extent of the law, including the seeking of criminal prosecution.