

ALFA LAVAL PUMPS LTD

**SR RANGE
ROTARY LOBE PUMPS**

SPARE PARTS LIST

Alfa Laval Pumps Ltd.
Birch Road
Eastbourne
East Sussex
England
BN23 6PQ
Telephone: +44 1323 412555
Fax: +44 1323 414515
www.alfalaval.com

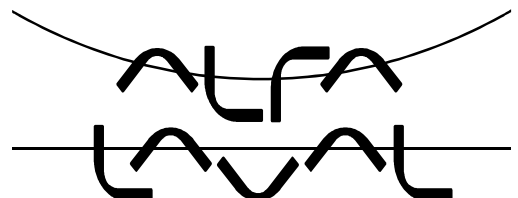


Table of contents

Page No.	Contents	Page No.	Contents
3	SR1 Pump	32	R90 Double Mech Seals (complete) - SR1
4	SR1 Pump (continued)	33	R90 Double Mech Seals (complete) - SR2
5	SR2 Pump	34	R90 Double Mech Seals (complete) - SR3
6	SR2 Pump (continued)	35	R90 Double Mech Seals (complete) - SR4
7	SR3 Pump	36	R90 Double Mech Seals (complete) - SR5
8	SR3 Pumps (continued)	37	R90 Double Mech Seals (complete) - SR6
9	SR3 Pumps (continued)	38	R90 Double Mech Seals (part numbering)
10	SR1-3 Pump Exploded View Drawing	39	R90 Double Mech Seals (parts) - SR1-2
11	SR4 Pump	40	R90 Double Mech Seals (parts) - SR3-4
12	SR4 Pump (continued)	41	R90 Double Mech Seals (parts) - SR5-6
13	SR4 Pump (continued)	42	R90 Double Mech Seal Exploded View
14	SR5 Pump	43	Packed Gland Seals - SR1-2
15	SR5 Pump (continued)	44	Packed Gland Seals - SR3-4
16	SR5 Pump (continued)	45	Packed Gland Seals - SR5-6
17	SR4-5 Pump Exploded View Drawing	46	Packed Gland Exploded View
18	SR6 Pump	47	Pressure Relief Valve (complete)
19	SR6 Pump (continued)	48	Pressure Relief Valve (parts) - SR1-5
20	SR6 Pump (continued)	49	Pressure Relief Valve (parts) - SR6
21	SR6 Pump Exploded View Drawing	50	Pressure Relief Valve Exploded View
22	Rotorcases - Body Part Numbers	51	Jackets and Saddles
23	Rotorcases - Port Part Numbers	52	Misc
24	Rectangular to Round Adaptors	53	Revision History
25	R90 Single Mech Seals (complete) - SR1-2		
26	R90 Single Mech Seals (complete) - SR3-4		
27	R90 Single Mech Seals (complete) - SR5-6		
28	R90 Single Mech Seals (parts) - SR1-4		
29	R90 Single Mech Seals (parts) - SR5-6		
30	R90 Single Mech Seal Exploded View		
31	R90 Single Flush Mech Seal Exploded View		

Notes

This publication is strictly confidential and remains the property of Alfa Laval without whose written permission it must not be copied, reproduced or shown to third parties, and maybe subject to change without prior notice.

When identifying the spare parts required it is important to check the pump specification by referring to the pump serial number.



SR1 Pump						
Drq No.	Description		Qty	Part No.	Item No.	
1	Gearcase - short	Grease filled SR1/S	1	5220.060	9630031355	
		Oil filled		5220.071	9630032830	
2	Gearcase - long	Grease filled SR1/L	1	5220.084	9630025773	
		Oil filled		5220.085	9630025767	
2	Dowel		2	5170.025	9630030093	
3	Stud, rotorcase retention	Not shim retained	4	6350.093	9630031415	
		Shim retained		6350.135	9630052259	
4	Nut, rotorcase retention		4	5330.003	9630024057	
4A	Washer, rotorcase retention		4	6400.036	9630024231	
5	Cover, gearcase	Grease filled	1	5120.044	9630031379	
		Oil filled		5120.050	9630032768	
6	Screw, gearcase cover		6	5990.044	9630030096	
7	Lip seal, drive end	NBR	1	5310.047	9630030621	
		FPM		5310.078	9630032806	
8	Shim	Polymex	1 set	6150.150	9630034305	
		St.Stl		6150.151	9630034304	
8A	Shim retainer	See CH4834	2	6150.261	9630050684	
8B	Screw, shim retainer	See CH4834	4	6000.010	9630050533	
9	Rotorcase		1	see page 22-23	see page 22-23	
10	Stud, rotorcase/cover retention		4	6350.093	9630031415	
11	'O' Ring, cover - plain (if rotorcase cover has been upgraded to SR/3A as per CH4932)	NBR	1	1550.239	9630023375	
		FPM		1551.239	9630023456	
		EPDM		1555.239	9630023539	
		PTFE		1552.239	9630028747	
		NBR		5380.087	9630024201	
'O' Ring, cover - relief valve and 'O' Ring, cover - plain (if rotorcase cover has NOT been upgraded to SR/3A)	FPM	5380.163	9630024335			
	EPDM	5380.277	9630019858			
	PTFE	5380.164	9630024336			
		5130.311	9630046119			
12	Cover, rotorcase (upgrade to SR/3A as per CH4932)	Plain	1	5130.331	9630027764	
		Drilled for jacket Relief valve		see page 47	see page 47	
13	Dome nut, rotorcase cover		4	5340.029	9630024095	
14	Retainer, seal		2	5560.030	9630031375	
15	Screw, seal retainer		6	5990.044	9630030096	
16	Lip seal, gland end	NBR	2	5310.037	9630030622	
		FPM		5310.070	9630032796	
17	Rotor, Trilobe Stainless Steel	8 bar 70°C	2	5712.005D	9630031986	
		8 bar 130°C		SR1/005/SS	5712.005E	9630031367
		8 bar 200°C			5712.005F	9630031987
		15 bar 70°C			5712.005G	9630031989
		15 bar 130°C		SR1/005/SD	5712.005H	9630031990
		15 bar 200°C			5712.005J	9630031991
	Rotor, Trilobe, NBR covered	8 bar 70°C	SR1/005/LD	5712.005G	9630031989	
		8 bar 130°C		5712.005H	9630031990	
		8 bar 200°C		5712.005J	9630031991	
	Rotor, Trilobe, NBR covered		SR1/005	5722.005	9630031495	
	Rotor, Trilobe Stainless Steel	5 bar 70°C	SR1/008/LD	5712.008A	9630031992	
		5 bar 130°C		SR1/008/SS	5712.008B	9630031365
		5 bar 200°C			5712.008C	9630031993
		12 bar 70°C			5712.008D	9630031995
12 bar 130°C		SR1/008/SD		5712.008E	9630031996	
12 bar 200°C				5712.008F	9630031997	
Rotor, Trilobe, NBR covered	5 bar 70°C	SR1/008	5712.008D	9630031995		
	5 bar 130°C		5712.008E	9630031996		
	5 bar 200°C		5712.008F	9630031997		
Rotor, Trilobe, NBR covered		SR1/008	5722.008	9630031497		

SR1 Pump (continued)					
Drq No.	Description		Qty	Part No.	Item No.
18	'O' Ring, rotor sealing shaft end (St.Stl rotor) (may be fitted without changing rotors to upgrade pump to SR/3A specification as per CH4932)	NBR	2	5380.421	9630044558
		FPM		5380.420	9630044557
		EPDM		5380.446	9630046208
		PTFE		5380.447	9630046212
	'O' Ring, rotor sealing shaft end (NBR cov rotor)	NBR		5380.421	9630044558
		FPM		5380.420	9630044557
		EPDM		5380.446	9630046208
				5380.442	9630046204
20	'O' Ring, rotor sealing nut end (if rotor retention nuts have been upgraded to SR/3A as per CH4932)	FPM	2	5380.443	9630046205
		EPDM		5380.444	9630046206
		PTFE		5380.445	9630046207
22	Nut, rotor retention (upgrade to SR/3A as per CH4932)	SR1/005	2	5900.161	9630045826
		SR1/008		5900.162	9630045828
23	Key		1	5270.030	9630031498
24	Shaft, drive (St. Stl)	SR1/SS	1	6110.543	9630031202
	Shaft, drive (Duplex)	SR1/SD		6110.554	9630031204
		SR1/LD		6110.592	9630033399
25	Shaft, drive (St. Stl)	SR1/SS	1	6100.543	9630031200
	Shaft, drive (Duplex)	SR1/SD		6100.554	9630031203
		SR1/LD		6100.592	9630033401
26	Bearing, rear		2	5080.011	9630029026
27	Spacer, shaft abutment		1	5670.061.01	9630032664
30	Nut, bearing		2	5340.040	9630029135
31	Bearing, front		2	5080.011	9630029026
32	Spacer, bearing	SR1/S	2	5670.054	9630031369
		SR1/L		5670.100	9630033403
36	Timing gear		2	5210.036	9630031258
38	Torque locking element		2	5615.013	9630025151
39	Clamp plate		2	5110.039	9630031371
40	Screw, clamp plate		6	5990.044	9630030096
45	Drain plug, oil filled		2	5460.004	9630042491
46	Sight glass, oil filled		1	5480.001	9630032778
47	Filler plug, oil filled (1/4" BSP)		1	5470.015	9630048465
50	Gland guard	SR1/S	2	5243.016	9630043031
		SR1/L		5243.023	9630028427
51	Screw, gland guard		2	5990.045	9630030332
53	Washer, gland guard		2	6400.046	9630030121

SR2 Pumps						
Drq No.	Description		Qty	Part No.	Item No.	
1	Gearcase - short	Grease filled Oil filled	SR2/S	1	5220.061 5220.072	9630031384 9630032828
	Gearcase - long	Grease filled Oil filled	SR2/L		5220.062 5220.073	9630031381 9630032766
2	Dowel			2	5170.025	9630030093
3	Stud, rotorcase retention	Not shim retained		4	6350.094	9630024086
		Shim retained			6350.136	9630052261
4	Nut, rotorcase retention			4	5330.000	9630024051
4A	Washer, rotorcase retention			4	6400.037	9630024233
5	Cover, gearcase	Grease filled		1	5120.045	9630031459
		Oil filled			5120.051	9630032770
6	Screw, gearcase cover			6	5990.044	9630030096
7	Lip seal, drive end		NBR	1	5310.101	9630040403
			FPM		5310.079	9630032807
8	Shim		Polymex	1 set	6150.152	9630034199
			St.Stl		6150.153	9630034201
8A	Shim retainer	See CH4834		2	6150.312	9630089541
8B	Screw, shim retainer	See CH4834		4	6000.010	9630050533
9	Rotorcase			1	see page 22-23	see page 22-23
10	Stud, rotorcase/cover retention			4	6350.094	9630024086
11	'O' Ring, cover - plain (if rotorcase cover has been upgraded to SR/3A as per CH4932)		NBR	1	1550.249	9630023379
			FPM		1551.249	9630023462
			EPDM		1555.249	9630023540
			PTFE		1552.249	9630040636
			NBR		1550.251	9630030114
'O' Ring, cover - relief valve and 'O' Ring, cover - plain (if rotorcase cover has NOT been upgraded to SR/3A)		FPM	1551.251	9630026029		
		EPDM	1555.251	9630027285		
		PTFE	1552.251	9630024882		
12	Cover, rotorcase (upgrade to SR/3A as per CH4932)	Plain		1	5130.312	9630046120
		Drilled for jacket Relief valve			5130.332	9630027767
13	Dome nut, rotorcase cover			4	5340.047	9630029651
14	Retainer, seal			2	5560.031	9630031405
15	Screw, seal retainer			6	5990.044	9630030096
16	Lip seal, gland end		NBR	2	5310.038	9630030623
			FPM		5310.071	9630032797
17	Rotor, Trilobe Stainless Steel (upgrade to SR/3A as per CH4932)	10 bar 70°C		2	5740.013J	9630050360
		10 bar 130°C	SR2/013/SS		5740.013K	9630049247
		10 bar 200°C			5740.013L	9630050496
		15 bar 70°C			5740.013Q	9630050494
		15 bar 130°C	SR2/013/SD		5740.013R	9630052045
		15 bar 200°C			5740.013S	9630048621
	Rotor, Bilobe Stainless Steel (upgrade to SR/3A as per CH4932)	10 bar 70°C		2	5740.013M	9630046723
		10 bar 130°C	SR2/013/LS		5740.013N	9630040081
		10 bar 200°C			5740.013P	9630047747
		10 bar 70°C	SR2/013/SS		5741.013M	9630090571
Rotor, Trilobe, NBR covered	10 bar 130°C	SR2/013/LS		5741.013N	9630090572	
	10 bar 200°C			5741.013P	9630090573	
				2	5722.013	9630031481

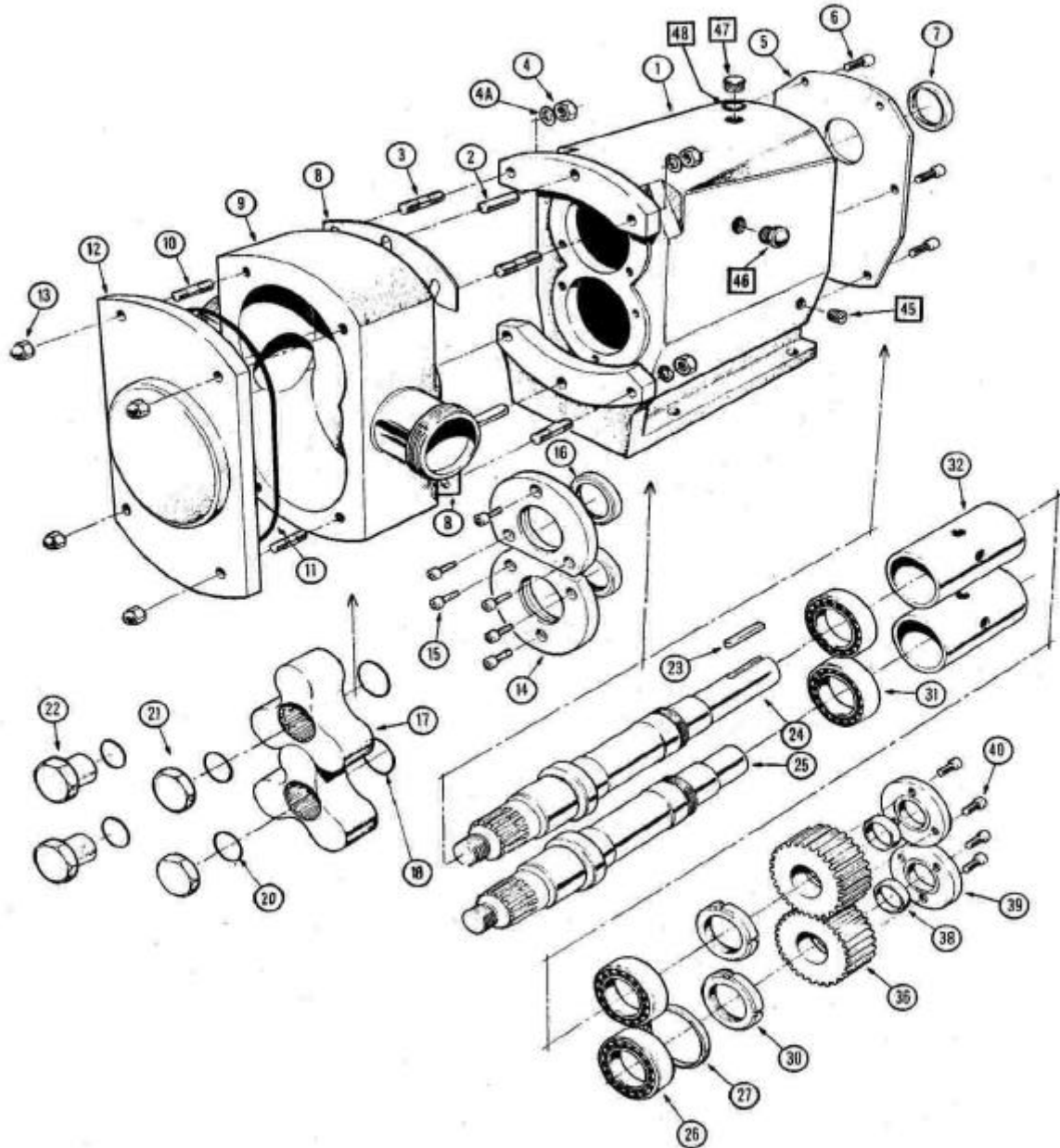
SR2 Pumps (continued)				
Drg No.	Description	Qty	Part No.	Item No.
17	Rotor, Trilobe Stainless Steel (upgrade to SR/3A as per CH4932)	2	7 bar 70°C	9630050511
			7 bar 130°C	9630046930
			7 bar 200°C	9630046321
		SR2/018/SS		
		12 bar 70°C	9630051750	
		12 bar 130°C	9630047657	
	12 bar 200°C	9630055490		
	SR2/018/SD			
	Rotor, Bilobe Stainless Steel (upgrade to SR/3A as per CH4932)	2	7 bar 70°C	9630047243
			7 bar 130°C	9630043480
7 bar 200°C			9630047751	
SR2/018/LS				
Rotor, Trilobe, NBR covered	2	7 bar 70°C	9630090577	
		7 bar 130°C	9630090578	
		7 bar 200°C	9630090579	
SR2/018/SS				
SR2/018/LS				
18	'O' Ring, rotor sealing shaft end (St.Stl rotor) (upgrade to SR/3A as per CH4932)	2	5741.018M	9630031483
			5741.018N	9630046452
			5741.018P	9630046453
			5722.018	9630046455
			NBR	9630046454
20	'O' Ring, rotor sealing nut end (upgrade to SR/3A as per CH4932)	2	FPM	9630031506
			EPDM	9630046186
			PTFE	9630046187
			NBR	9630046188
			FPM	9630045830
22	Nut, rotor retention (upgrade to SR/3A as per CH4932)	2	SR2/013	9630045832
			SR2/018	
23	Key	1	5270.007	9630023916
24	Shaft, drive (St.Stl)	1	SR2/SS	9630031395
			SR2/LS	9630031389
25	Shaft, drive (Duplex)	1	SR2/SD	9630031397
			SR2/SS	9630031393
			SR2/LS	9630031391
			SR2/SD	9630031396
26	Bearing, rear	2	6100.544	9630029028
27	Spacer, shaft abutment	1	5080.012	9630032678
30	Nut, bearing	2	5670.062.01	9630029136
31	Bearing, front	2	5340.041	9630029028
32	Spacer, bearing	2	SR2/S	9630031411
			SR2/L	9630031409
36	Timing gear	2	5670.055	9630031260
38	Torque locking element	2	5210.037	9630030115
39	Clamp plate	2	5615.015	9630031407
40	Screw, clamp plate	6	5110.040	9630024595
45	Drain plug, oil filled	2	5990.007	9630042491
46	Sight glass, oil filled	1	5460.004	9630032778
47	Filler plug, oil filled (1/4" BSP)	1	5480.001	9630048465
50	Gland guard	2	5470.015	9630043034
			SR2/S	9630034497
51	Screw, gland guard	2	SR2/L	9630030332
			5990.045	9630030121
53	Washer, gland guard	2	6400.046	

SR3 Pumps						
Drq No.	Description		Qty	Part No.	Item No.	
1	Gearcase - short	Grease filled Oil filled	SR3/S	1	5220.063 5220.074	9630023517 9630032826
	Gearcase - long	Grease filled Oil filled	SR3/L		5220.064 5220.075	9630031209 9630032822
2	Dowel			2	5170.010	9630023461
3	Stud, rotorcase retention	Not shim retained		4	6350.095	9630027490
		Shim retained			6350.105	9630027485
4	Nut, rotorcase retention			4	5330.000	9630024051
4A	Washer, rotorcase retention			4	6400.037	9630024233
5	Cover, gearcase	Grease filled		1	5120.046	9630029080
		Oil filled			5120.052	9630032772
6	Screw, gearcase cover			6	5990.044	9630030096
7	Lip seal, drive end		NBR	1	5310.004	9630023983
			FPM		5310.080	9630032808
8	Shim		Polymex	1 set	6150.154	9630034130
			St.Stl		6150.155	9630034030
8A	Shim retainer	See CH4834		2	6150.313	9630089542
8B	Screw, shim retainer	See CH4834		4	6000.010	9630050533
9	Rotorcase			1	see page 22-23	see page 22-23
10	Stud, rotorcase/cover retention	Std		8	6350.095	9630027490
		For rectangular inlet		4	6350.052	9630022111
11	'O' Ring, cover - plain (if rotorcase cover has been upgraded to SR/3A as per CH4932)		NBR	1	1550.258	9630046234
			FPM		1551.258	9630046235
			EPDM		1555.258	9630046236
			PTFE		1552.258	9630040637
			NBR		1550.260	9630030271
'O' Ring, cover - relief valve and 'O' Ring, cover - plain (if rotorcase cover has NOT been upgraded to SR/3A)		FPM	1551.260	9630026048		
		EPDM	1555.260	9630026951		
		PTFE	1552.260	9630031555		
12	Cover, rotorcase (upgrade to SR/3A as per CH4932)	Plain		1	5130.313	9630046122
		For rectangular inlet			5130.343	9630048101
		Drilled for jacket			5130.333	9630027766
		Relief valve			see page 47	see page 47
13	Dome nut, rotorcase cover	Std		8	5340.047	9630029651
		For rectangular inlet		4	5340.022	9630024088
14	Retainer, seal			2	5560.032	9630025431
15	Screw, seal retainer			6	5990.007	9630024595
16	Lip seal, gland end		NBR	2	5310.039	9630030625
			FPM		5310.072	9630032798
17	Rotor, Trilobe Stainless Steel (upgrade to SR/3A as per CH4932)	10 bar 70°C		2	5740.027J	9630055868
		10 bar 130°C	SR3/027/SS		5740.027K	9630055869
		10 bar 200°C			5740.027L	9630055870
		20 bar 70°C			5740.027Q	9630056704
		20 bar 130°C	SR3/027/SD		5740.027R	9630056705
		20 bar 200°C			5740.027S	9630056706
	10 bar 70°C		SR3/027/LS	5740.027M	9630046726	
	10 bar 130°C			5740.027N	9630032535	
	10 bar 200°C			5740.027P	9630046365	
Rotor, Bilobe Stainless Steel (upgrade to SR/3A as per CH4932)	10 bar 70°C	SR3/027/SS	5741.027M	9630090584		
	10 bar 130°C	SR3/027/LS	5741.027N	9630090585		
	10 bar 200°C		5741.027P	9630090586		
Rotor, Trilobe, NBR covered		SR3/027	5722.027	9630021284		

SR3 Pumps (continued)					
Drg No.	Description		Qty	Part No.	Item No.
17	Rotor, Trilobe Stainless Steel (upgrade to SR/3A as per CH4932)	7 bar 70°C	SR3/038/SS	5740.038J	9630055872
		7 bar 130°C		5740.038K	9630055873
		7 bar 200°C		5740.038L	9630055874
	Rotor, Trilobe Stainless Steel (upgrade to SR/3A as per CH4932)	15 bar 70°C	SR3/038/SD	5740.038Q	9630055940
		15 bar 130°C		5740.038R	9630055941
		15 bar 200°C		5740.038S	9630055942
	Rotor, Bilobe Stainless Steel (upgrade to SR/3A as per CH4932)	7 bar 70°C	SR3/038/LS	5740.038M	9630027757
		7 bar 130°C		5740.038N	9630039955
		7 bar 200°C		5740.038P	9630048052
	Rotor, Trilobe, NBR covered		SR3/038	5741.038M	9630090540
			5741.038N	9630090539	
			5741.038P	9630090542	
18	'O' Ring, rotor sealing shaft end (St.Stl rotor) (if rotors have been upgraded to SR/3A as per CH4932)	NBR	2	5722.038	9630026256
		FPM		1550.026	9630038950
		EPDM		1551.026	9630038951
		PTFE		1555.026	9630038952
	'O' Ring, rotor sealing shaft end (St.Stl rotor) (if rotors have NOT been upgraded to SR/3A as per CH4932)	NBR	2	1558.026	9630046456
		FPM		5380.261	9630029980
		EPDM		5380.271	9630026280
		PTFE		5380.355	9630037533
	'O' Ring, rotor sealing shaft end (NBR cov rotor)	NBR	2	5380.279	9630027945
		FPM		5380.261	9630029980
EPDM		5380.271		9630026280	
PTFE		5380.355		9630037533	
20	'O' Ring, rotor sealing nut end (if rotor retention nuts have been upgraded to SR/3A as per CH4932)	NBR	2	1550.024	9630031566
		FPM		1551.024	9630046189
		EPDM		1555.024	9630046190
		PTFE		1558.024	9630046191
	'O' Ring, rotor sealing nut end (if rotor retention nuts have NOT been upgraded to SR/3A as per CH4932)	NBR	2	5380.261	9630029980
FPM	5380.271	9630026280			
EPDM	5380.355	9630037533			
PTFE	5380.279	9630027945			
22	Nut, rotor retention (upgrade to SR/3A as per CH4932)	SR3/027 SR3/038	2	5900.165 5900.166	9630046130 9630046138
23	Key		1	5270.031	9630031499
24	Shaft, drive (St.Stl)	SR3/SS	1	6110.546	9630027461
		SR3/LS		6110.593	9630033130
	Shaft, drive (Duplex)	SR3/SD		6110.556	9630029951
25	Shaft, auxillary (St.Stl)	SR3/SS	1	6100.546	9630029401
		SR3/LS		6100.593	9630033127
	Shaft, auxillary (Duplex)	SR3/SD		6100.556	9630029952
26	Bearing, rear		2	5080.013	9630029030
27	Spacer, shaft abutment		1	5670.063.01	9630032683
30	Nut, bearing		2	5340.042	9630029137
31	Bearing, front		2	5080.013	9630029030
32	Spacer, bearing	SR3/S	2	5670.057	9630026453
		SR3/L		5670.058	9630029695

SR3 Pumps (continued)					
Drg No.	Description		Qty	Part No.	Item No.
36	Timing gear	St.Stl shaft	2	5210.032	9630028272
		Duplex shaft		5210.038	9630027688
38	Torque locking element	St.Stl shaft	2	5615.016	9630030273
		Duplex shaft	4	5615.016	9630030273
39	Clamp plate		2	5110.041	9630029175
40	Screw, clamp plate		12	5990.005	9630024591
45	Drain plug, oil filled		2	1660.004	9630023546
46	Sight glass, oil filled		1	5480.001	9630032778
47	Filler plug, oil filled (1/4" BSP)		1	5470.015	9630048465
50	Gland guard	SR3/S	2	5243.018	9630043037
		SR3/L		5243.025	9630032303
51	Screw, gland guard		2	5990.045	9630030332
52	Washer, gland guard		2	6400.046	9630030121

SR1-3 Pump - Exploded View Drawing



SR4 Pump					
Drg No.	Description		Qty	Part No.	Item No.
1	Gearcase - short	Grease filled SR4/S	1	5220.065	9630029633
		Oil filled		5220.076	9630032820
2	Gearcase - long	Grease filled SR4/L	2	5220.066	9630029216
		Oil filled		5220.077	9630032812
2	Dowel		2	5170.010	9630023461
3	Stud, rotorcase retention	Not shim retained	4	6350.098	9630030574
		Shim retained		6350.138	9630052265
4	Nut, rotorcase retention		4	5330.001	9630024053
4A	Washer, rotorcase retention		4	6400.038	9630024236
5	Cover, gearcase	Grease filled	1	5120.047	9630028283
		Oil filled		5120.047	9630028283
6	Screw, gearcase cover		6	5990.030	9630024629
7	Lip seal, drive end	NBR	1	5310.048	9630030624
		FPM		5310.081	9630032809
8	Shim	Polymex	1 set	6150.156	9630033702
		St.Stl		6150.157	9630033704
8A	Shim retainer	See CH4834	2	6150.314	9630089543
8B	Screw, shim retainer	See CH4834	4	6000.010	9630050533
9	Rotorcase		1	see page 22-23	see page 22-23
10	Stud, rotorcase/cover retention		8	6350.104	9630019863
11	'O' Ring, cover - plain (if rotorcase cover has been upgraded to SR/3A as per CH4932)	NBR	1	1550.265	9630046177
		FPM		1551.265	9630037519
		EPDM		1555.265	9630046178
		PTFE		1552.265	9630026547
	'O' Ring, cover - relief valve and 'O' Ring, cover - plain (if rotorcase cover has NOT been upgraded to SR/3A)	NBR	1550.267	9630029958	
		FPM	1551.267	9630026117	
12	Cover, rotorcase (upgrade to SR/3A as per CH4932)	Plain	1	5130.314	9630046124
		Drilled for jacket Relief valve		5130.334	9630030268
13	Dome nut, rotorcase cover		8	5340.047	9630029651
14	Retainer, seal	SR4/SS	2	5560.033	9630025645
		SR4/LS and LD		5560.034	9630028443
15	Screw, seal retainer Screw, seal retainer, long		4	5990.030	9630024629
			2	5990.017	9630024611
16	Lip seal, gland end	SR4/SS NBR	2	5310.040	9630030626
		FPM		5310.073	9630032799
		SR4/LS and LD NBR		5310.041	9630030627
17	Rotor, Trilobe Stainless Steel (upgrade to SR/3A as per CH4932)	10 bar 70°C SR4/055/SS	2	5740.055D	9630046158
		10 bar 130°C SR4/055/LS		5740.055E	9630044012
		10 bar 200°C SR4/055/LS		5740.055F	9630046289
		20 bar 70°C SR4/055/LD		5740.055K	9630034398
		20 bar 130°C SR4/055/LD		5740.055L	9630046964
		20 bar 200°C SR4/055/LD		5740.055M	9630046996
	Rotor, Bilobe Stainless Steel (upgrade to SR/3A as per CH4932)	10 bar 70°C SR4/055/SS	5741.055D	9630090601	
		10 bar 130°C SR4/055/LS	5741.055E	9630090603	
		10 bar 200°C SR4/055/LS	5741.055F	9630090604	
		20 bar 70°C SR4/055/LD	5741.055K	9630090605	
Rotor, Trilobe, NBR covered	20 bar 130°C SR4/055/LD	5741.055L	9630090606		
	20 bar 200°C SR4/055/LD	5741.055M	9630090607		
		SR4/055	2	5722.055	9630027382

SR4 Pump (continued)					
Drg No.	Description		Qty	Part No.	Item No.
17	Rotor, Trilobe Stainless Steel (upgrade to SR/3A as per CH4932)	7 bar 70°C	2	5740.079D	9630046159
		7 bar 130°C		5740.079E	9630039235
		7 bar 200°C		5740.079F	9630028324
		15 bar 70°C		5740.079K	9630018802
		15 bar 130°C		5740.079L	9630048055
		15 bar 200°C		5740.079M	9630048056
	Rotor, Bilobe Stainless Steel (upgrade to SR/3A as per CH4932)	7 bar 70°C	SR4/079/SS	5741.079D	9630090608
		7 bar 130°C	SR4/079/LS	5741.079E	9630090609
		7 bar 200°C		5741.079F	9630090610
		15 bar 70°C		5741.079K	9630090611
	15 bar 130°C	SR4/079/LD	5741.079L	9630090612	
	15 bar 200°C		5741.079M	9630090613	
	Rotor, Trilobe, NBR covered	SR4/079		5722.079	9630027172
18	'O' Ring, rotor sealing shaft end (St.Stl rotor) (if rotors have been upgraded to SR/3A as per CH4932)	NBR	2	1550.030	9630046196
		FPM		1551.030	9630038931
		EPDM		1555.030	9630046197
		PTFE		1558.030	9630046198
	'O' Ring, rotor sealing shaft end (St.Stl rotor) (if rotors have NOT been upgraded to SR/3A as per CH4932)	NBR	2	5380.262	9630029979
		FPM		5380.272	9630027953
		EPDM		5380.356	9630029383
		PTFE		5380.280	9630031600
	'O' Ring, rotor sealing shaft end (NBR cov rotor)	NBR	2	5380.262	9630029979
		FPM		5380.272	9630027953
EPDM		5380.356		9630029383	
PTFE		5380.280		9630031600	
20	'O' Ring, rotor sealing nut end (if rotor retention nuts have been upgraded to SR/3A as per CH4932)	NBR	2	1550.029	9630046192
		FPM		1551.029	9630046193
		EPDM		1555.029	9630046194
		PTFE		1558.029	9630046195
	'O' Ring, rotor sealing nut end (if rotor retention nuts have NOT been upgraded to SR/3A as per CH4932)	NBR	5380.262	9630029979	
	FPM	5380.272	9630027953		
	EPDM	5380.356	9630029383		
	PTFE	5380.280	9630031600		
22	Nut, rotor retention (upgrade to SR/3A as per CH4932)	SR4/055 SR4/079	2	5900.167 5900.168	9630046132 9630046140
23	Key		1	5270.011	9630023932
24	Shaft, drive (St.Stl)	SR4/SS	1	6110.548	9630031038
		SR4/LS		6110.549	9630031042
	Shaft, drive (Duplex)	SR4/LD		6110.557	9630031045
25	Shaft, auxiliary (St.Stl)	SR4/SS	1	6100.548	9630031040
		SR4/LS		6100.549	9630031044
	Shaft, auxiliary (Duplex)	SR4/LD		6100.557	9630031046
26	Bearing, rear	SR4/S	2	5080.014	9630029032
		SR4/L		4	5080.014
27	Spacer, shaft abutment	SR4/S	1	5670.064.01	9630033381
		SR4/L		5670.065.01	9630035207
28	Spacer, bearing drive end	SR4/L	2	5670.050	9630027142
29	Spacer, bearing gland end	SR4/L	2	5670.049	9630031175
30	Nut, bearing rear		2	5340.043	9630029138
31	Bearing, front	SR4/S	2	5080.014	9630029032
		SR4/L		4	5080.015
32	Spacer, bearing	SR4/S	2	5670.059	9630027406
34	Nut, bearing front	SR4/L	2	5340.035	9630024100
35	Lip seal, upper chamber	NBR	1	5310.045	9630030629
		FPM		5310.067	9630032654

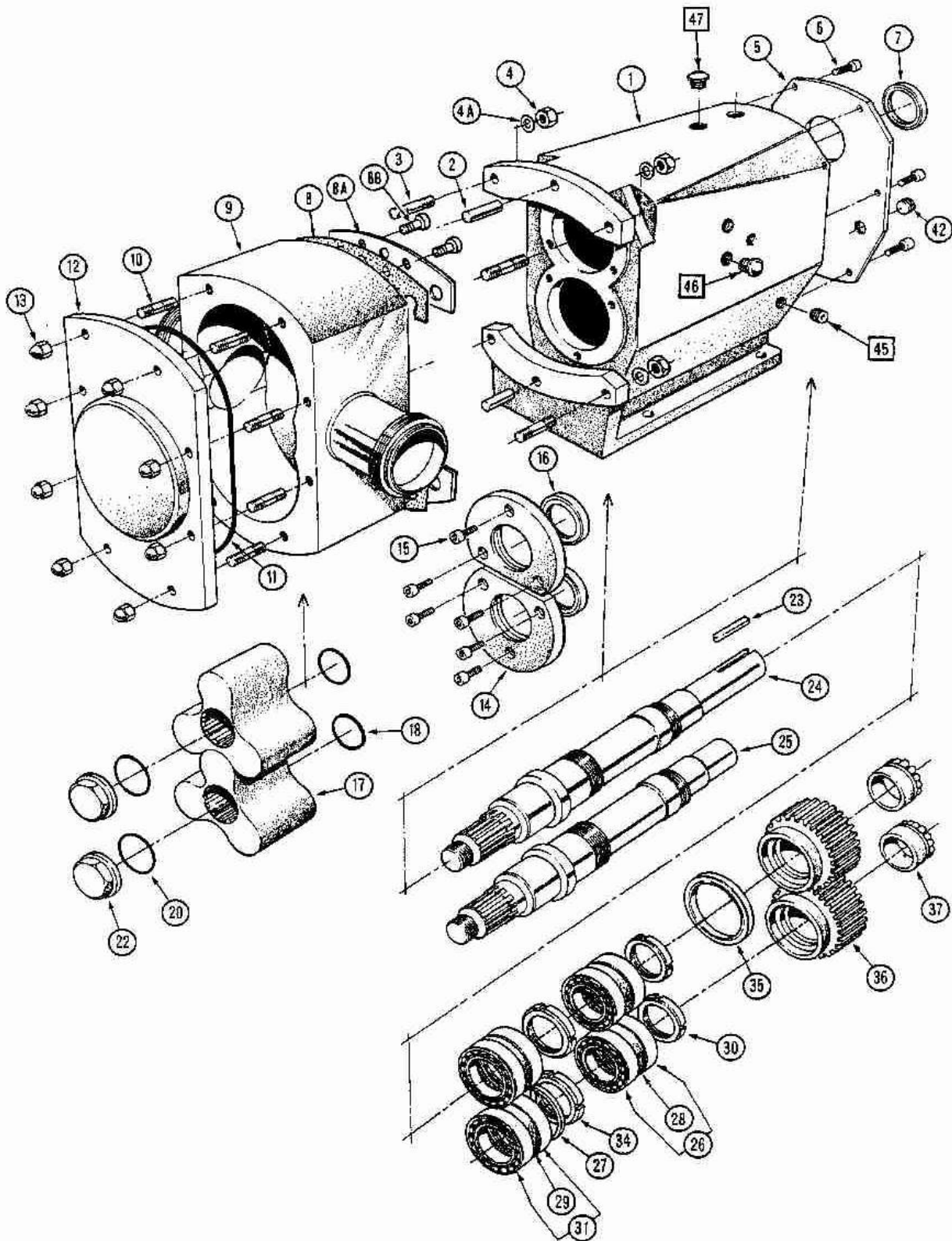
SR4 Pump (continued)					
Drg No.	Description	Qty	Part No.	Item No.	
36	Timing gear	2	5210.039	9630019630	
37	Torque locking assembly	2	5615.000	9630024451	
45	Drain plug, gearcase, oil filled	2	1660.008	9630023548	
45a	Drain plug, gearcase cover	2	1660.004	9630023546	
46	Sight glass, oil filled	2	5480.001	9630032778	
47	Filler plug, oil filled	2	31491.0052.1	9630018599	
50	Gland guard	2	SR4/S	5243.019	9630043040
			SR4/L	5243.026	9630026461
51	Screw, gland guard	2	5990.045	9630030332	
52	Washer, gland guard	2	6400.046	9630030121	

SR5 Pumps					
Drg No.	Description		Qty	Part No.	Item No.
1	Gearcase - short	Grease filled SR5/S	1	5220.067	9630021205
		Oil filled		5220.078	9630032814
2	Gearcase - long	Grease filled SR5/L	2	5220.068	9630021271
		Oil filled		5220.079	9630032647
2	Dowel		2	5170.010	9630023461
3	Stud, rotorcase retention	Not shim retained	4	6350.098	9630030574
		Shim retained		6350.138	9630052265
4	Nut, rotorcase retention		4	5330.001	9630024053
4A	Washer, rotorcase retention		4	6400.038	9630024236
5	Cover, gearcase	Grease filled	1	5120.054	9630032774
		Oil filled		5120.054	9630032774
6	Screw, gearcase cover		6	5990.030	9630024629
7	Lip seal, drive end	NBR	1	5310.012	9630023996
		FPM		5310.082	9630032810
8	Shim	Polymex	1 set	6150.158	9630033860
		St.Stl		6150.159	9630033411
8A	Shim retainer	See CH4834	2	6150.315	9630089544
8B	Screw, shim retainer	See CH4834	4	6000.010	9630050533
9	Rotorcase		1	see page 22-23	see page 22-23
10	Stud, rotorcase/cover retention		8	6350.104	9630019863
11	'O' Ring, cover - plain (if rotorcase cover has been upgraded to SR/3A as per CH4932)	NBR	1	1550.273	9630046179
		FPM		1551.273	9630046180
		EPDM		1555.273	9630046181
		PTFE		1552.273	9630022526
	'O' Ring, cover - relief valve and 'O' Ring, cover - plain (if rotorcase cover has NOT been upgraded to SR/3A)	NBR	1550.274	9630029652	
		FPM	1551.274	9630028410	
12	Cover, rotorcase (upgrade to SR/3A as per CH4932)	Plain	1	5130.315	9630046126
		Drilled for jacket Relief valve		5130.335	9630027765
13	Dome nut, rotorcase cover		8	5340.047	9630029651
14	Retainer, seal	SR5/SS	2	5560.035	9630031164
		SR5/LS and LD		5560.036	9630026099
15	Screw, seal retainer Screw, seal retainer, long		4	5990.030	9630024629
			2	5990.017	9630024611
16	Lip seal, gland end	SR5/SS	2	5310.042	9630030628
		NBR		5310.075	9630032801
		FPM		5310.043	9630030630
17	Rotor, Trilobe Stainless Steel (upgrade to SR/3A as per CH4932)	10 bar 70°C	2	5740.116D	9630046161
		10 bar 130°C		5740.116E	9630047513
		10 bar 200°C		5740.116F	9630048057
		20 bar 70°C		5740.116K	9630046611
		20 bar 130°C		5740.116L	9630048058
		20 bar 200°C		5740.116M	9630048059
	Rotor, Bilobe Stainless Steel (upgrade to SR/3A as per CH4932)	10 bar 70°C	2	5741.116D	9630090615
		10 bar 130°C		5741.116E	9630090616
		10 bar 200°C		5741.116F	9630090617
		20 bar 70°C		5741.116K	9630090618
20 bar 130°C	SR5/116/LD	5741.116L	9630090619		
	20 bar 200°C	5741.116M	9630090620		
Rotor, Trilobe, NBR covered	SR5/116	2	5722.116	9630021349	

SR5 Pump (continued)					
Drg No.	Description		Qty	Part No.	Item No.
17	Rotor, Trilobe Stainless Steel	7 bar 70°C	2	5740.168D	9630046162
		7 bar 130°C		5740.168E	9630035491
		7 bar 200°C		5740.168F	9630048060
		15 bar 70°C		5740.168K	9630046607
		15 bar 130°C		5740.168L	9630048061
	Rotor, Bilobe Stainless Steel	15 bar 200°C	SR5/168/LD	5740.168M	9630048062
		7 bar 70°C	SR5/168/SS	5741.168D	9630090621
		7 bar 130°C		5741.168E	9630090622
		7 bar 200°C		5741.168F	9630090623
		15 bar 70°C	SR5/168/LD	5741.168K	9630090624
15 bar 130°C	5741.168L	9630090625			
15 bar 200°C		5741.168M	9630090626		
	Rotor, Trilobe, NBR covered	SR5/168		5722.168	9630022562
18	'O' Ring, rotor sealing shaft end (St.Stl rotor) (if rotors have been upgraded to SR/3A as per CH4932)	NBR	2	1550.135	9630037151
		FPM		1551.135	9630037153
		EPDM		1555.135	9630037150
		PTFE		1558.135	9630037154
	'O' Ring, rotor sealing shaft end (St.Stl rotor) (if rotors have NOT been upgraded to SR/3A as per CH4932)	NBR	2	5380.263	9630023523
		FPM		5380.273	9630027378
		EPDM		5380.306	9630032653
		PTFE		5380.281	9630031601
	'O' Ring, rotor sealing shaft end (NBR cov rotor)	NBR	2	5380.263	9630023523
		FPM		5380.273	9630027378
EPDM		5380.306		9630032653	
PTFE		5380.281		9630031601	
20	'O' Ring, rotor sealing nut end (if rotor retention nuts have been upgraded to SR/3A as per CH4932)	NBR	2	1550.133	9630037146
		FPM		1551.133	9630037148
		EPDM		1555.133	9630037145
		PTFE		1558.133	9630037149
	'O' Ring, rotor sealing nut end (if rotor retention nuts have NOT been upgraded to SR/3A as per CH4932)	NBR	5380.263	9630023523	
FPM	5380.273	9630027378			
EPDM	5380.306	9630032653			
PTFE	5380.281	9630031601			
22	Nut, rotor retention (upgrade to SR/3A as per CH4932)	SR5/116	2	5900.169	9630046134
		SR5/168		5900.170	9630046142
23	Key		1	5270.013	9630023940
24	Shaft, drive (St.Stl)	SR5/SS	1	6110.550	9630031113
		SR5/LS		6110.551	9630031107
	Shaft, drive (Duplex)	SR5/LD		6110.558	9630031111
25	Shaft, auxiliary (St.Stl)	SR5/SS	1	6100.550	9630031115
		SR5/LS		6100.551	9630031109
	Shaft, auxiliary (Duplex)	SR5/LD		6100.558	9630031110
26	Bearing, rear	SR5/S	2	5080.008	9630023422
		SR5/L		4	5080.015
27	Spacer, shaft abutment	SR5/S	1	5670.066.01	9630035208
		SR5/L		5670.067.01	9630035209
28	Spacer, bearing drive end	SR5/L	2	5670.049	9630031175
29	Spacer, bearing gland end	SR5/L	2	5670.051	9630031133
30	Nut, bearing rear		2	5340.035	9630024100
31	Bearing, front	SR5/S	2	5080.008	9630023422
		SR5/L		4	5080.017
32	Spacer, bearing	SR5/S	2	5670.060	9630029120
34	Nut, bearing front	SR5/L	2	5340.045	9630029139
35	Lip seal, upper chamber	NBR	1	5310.001	9630023977
		FPM		5310.068	9630032804

SR5 Pump (continued)					
Drg No.	Description	Qty	Part No.	Item No.	
36	Timing gear	2	5210.034	9630031162	
37	Torque locking assembly	2	5615.005	9630024455	
45	Drain plug, gearcase, oil filled	2	1660.008	9630023548	
45a	Drain plug, gearcase cover	2	1660.004	9630023546	
46	Sight glass, oil filled	2	5480.001	9630032778	
47	Filler plug, oil filled	2	31491.0052.1	9630018599	
50	Gland guard	2	SR5/S	5243.020	9630043043
			SR5/L	5243.027	9630034156
51	Screw, gland guard	2	5990.045	9630030332	
52	Washer, gland guard	2	6400.046	9630030121	

SR4-5 Pump - Exploded View Drawing

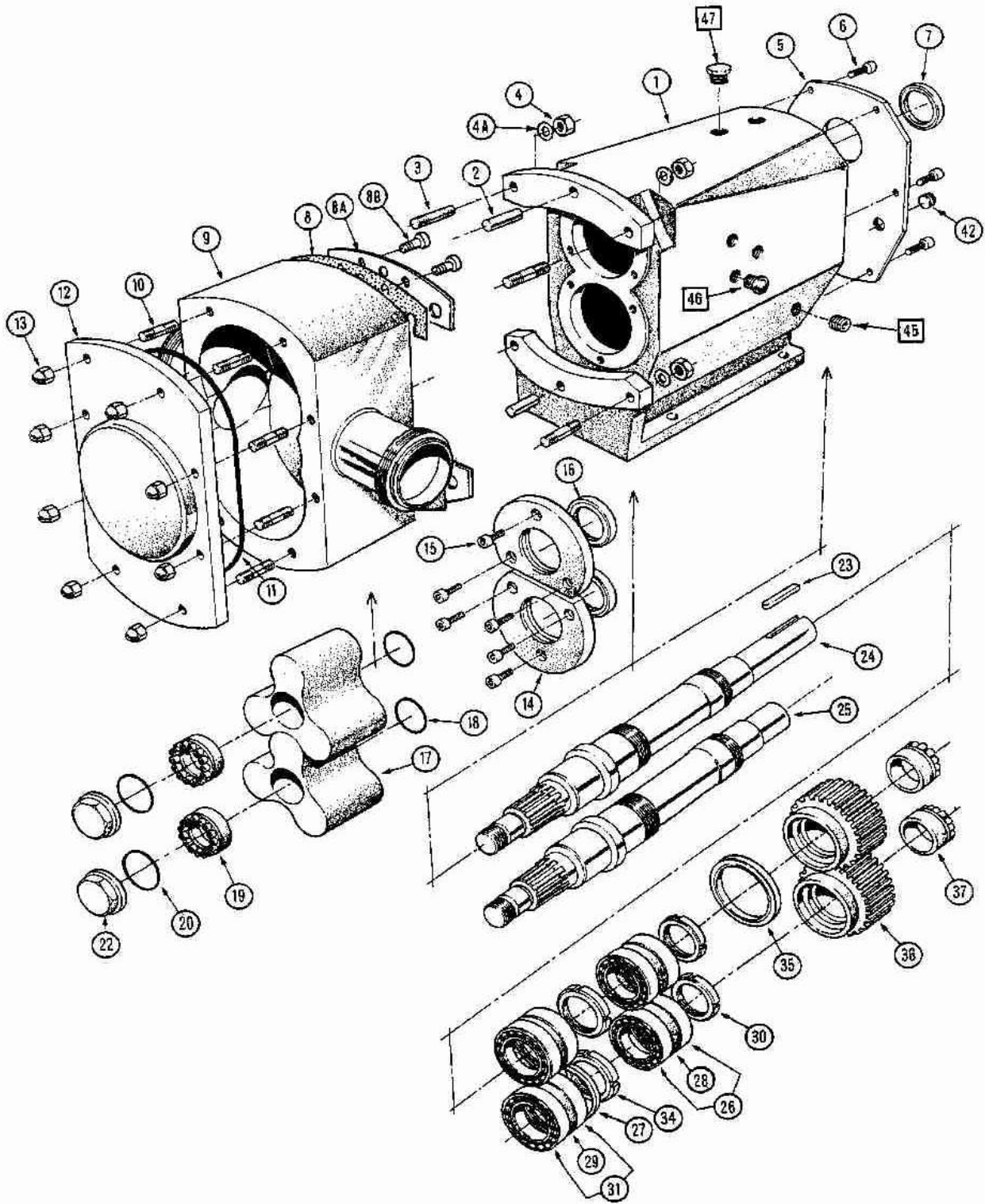


SR6 Pump					
Drq No.	Description		Qty	Part No.	Item No.
1	Gearcase - short	Grease filled SR6/S	1	5220.069	9630031122
		Oil filled		5220.080	9630032816
2	Gearcase - long	Grease filled SR6/L	1	5220.070	9630031123
		Oil filled		5220.081	9630032818
2	Dowel		2	5170.011	9630023467
3	Stud, rotorcase retention	Not shim retained	4	6350.097	9630026105
		Shim retained		6350.139	9630052267
4	Nut, rotorcase retention		4	5330.002	9630024055
4A	Washer, rotorcase retention		4	6400.041	9630024238
5	Cover, gearcase	Grease filled	1	5120.055	9630032775
		Oil filled		5120.055	9630032775
6	Screw, gearcase cover		6	5990.030	9630024629
7	Lip seal, drive end	NBR	1	5310.039	9630030625
		FPM		5310.072	9630032798
8	Shim	Polymex	1 set	6150.160	9630033391
		St.Stl		6150.161	9630033392
8A	Shim retainer	See CH4834	2	6150.266	9630051782
8B	Screw, shim retainer	See CH4834	4	6000.010	9630050533
9	Rotorcase		1	see page 22-23	see page 22-23
10	Stud, rotorcase/cover retention		8	6350.098	9630030574
11	'O' Ring, cover - plain (if rotorcase cover has been upgraded to SR/3A as per CH4932)	NBR	1	1550.277	9630046182
		FPM		1551.277	9630046183
		EPDM		1555.277	9630046185
		PTFE		1552.277	9630046184
	'O' Ring, cover - relief valve and 'O' Ring, cover - plain (if rotorcase cover has NOT been upgraded to SR/3A)	NBR	5380.210	9630030494	
		FPM	5380.276	9630027458	
	EPDM	5380.278	9630026948		
	PTFE	5380.266	9630031559		
12	Cover, rotorcase (upgrade to SR/3A as per CH4932)	Plain	1	5130.316	9630046128
		For rectangular inlet		5130.346	9630052945
		Drilled for jacket		5130.336	9630027763
		Relief valve		see page 47	see page 47
13	Dome nut, rotorcase cover		8	5340.022	9630024088
14	Retainer, seal	SR6/SS	2	5560.036	9630026099
		SR6/LS and LD		5560.037	9630026103
15	Screw, seal retainer		4	5990.030	9630024629
		Screw, seal retainer, long		5990.017	9630024611
16	Lip seal, gland end	SR6/SS	2	5310.043	9630030630
		NBR		5310.076	9630032802
		SR6/LS and LD	5310.044	9630030631	
		FPM	5310.077	9630032803	
17	Rotor, Trilobe Stainless Steel (upgrade to SR/3A as per CH4932)	10 bar 70°C	2	5740.246D	9630046163
		10 bar 130°C		5740.246E	9630049343
		10 bar 200°C		5740.246F	9630028720
		20 bar 70°C		5740.246K	9630047532
		20 bar 130°C		5740.246L	9630049934
		20 bar 200°C		5740.246M	9630045758
	Rotor, Bilobe Stainless Steel (upgrade to SR/3A as per CH4932)	10 bar 70°C	SR6/246/SSS	5741.246D	9630090747
		10 bar 130°C	R6/246/LS	5741.246E	9630090748
		10 bar 200°C		5741.246F	9630090749
		20 bar 70°C		5741.246K	9630090750
	20 bar 130°C	SR6/246/LD	5741.246L	9630090751	
	20 bar 200°C		5741.246M	9630090752	

SR6 Pumps (continued)					
Drg No.	Description		Qty	Part No.	Item No.
17	Rotor, Trilobe Stainless Steel	7 bar 70°C	2	5740.353D	9630046164
		7 bar 130°C		5740.353E	9630021847
		7 bar 200°C		5740.353F	9630049090
		15 bar 70°C		5740.353K	9630048560
		15 bar 130°C		5740.353L	9630020871
	Rotor, Bilobe Stainless Steel	15 bar 200°C	5740.353M	9630057067	
		7 bar 70°C	5741.353D	9630090632	
		7 bar 130°C	5741.353E	9630090633	
		7 bar 200°C	5741.353F	9630090634	
		15 bar 70°C	5741.353K	9630090635	
18	Rotor, Trilobe, NBR covered	15 bar 130°C	2	5741.353L	9630090636
		15 bar 200°C		5741.353M	9630090637
		SR6/353		5722.353	9630029892
		NBR		1550.143	9630046199
		FPM		1551.143	9630046200
	'O' Ring, rotor sealing shaft end (St.Stl rotor) (if rotors have been upgraded to SR/3A as per CH4932)	EPDM	1555.143	9630046201	
		PTFE	1558.143	9630046202	
		NBR	5380.025	9630024124	
		FPM	5380.026	9630024125	
		EPDM	5380.079	9630024196	
'O' Ring, rotor sealing shaft end (NBR cov rotor)	PTFE	5380.286	9630031606		
	NBR	5380.025	9630024124		
	FPM	5380.026	9630024125		
	EPDM	5380.079	9630024196		
	22	Torque locking assembly	2	5615.014	9630029039
20	'O' Ring, rotor sealing nut end (if rotor retention nuts have been upgraded to SR/3A as per CH4932)	NBR	2	1550.143	9630046199
		FPM		1551.143	9630046200
		EPDM		1555.143	9630046201
		PTFE		1558.143	9630046202
		NBR		5380.264	9630023522
'O' Ring, rotor sealing nut end (if rotor retention nuts have NOT been upgraded to SR/3A as per CH4932)	FPM	5380.274	9630027470		
	EPDM	5380.357	9630029382		
	PTFE	5380.282	9630031602		
	22	Nut, rotor retention (upgrade to SR/3A as per CH4932)	2	5900.171	9630046136
	23	Key	1	5270.013	9630023940
24	Shaft, drive (St.Stl)	SR6/SS	1	6110.552	9630030807
		SR6/LS		6110.553	9630030811
25	Shaft, auxiliary (St.Stl)	SR6/LD	1	6110.559	9630030814
		SR6/SS		6100.552	9630030809
26	Bearing, rear	SR6/LS	4	6100.553	9630030813
		SR6/L		6100.559	9630030815
27	Spacer, shaft abutment	SR6/S	1	5080.008	9630023422
		SR6/L		5080.017	9630029036
28	Spacer, bearing drive end	SR6/S	2	5670.067.01	9630035209
		SR6/L		5670.068.01	9630034661
29	Spacer, bearing gland end	SR6/S	2	5670.052	9630031137
		SR6/L		5670.051	9630031133
30	Nut, bearing rear	SR6/S	2	5670.051	9630031133
		SR6/L		5670.053	9630031135
31	Bearing, front	SR6/S	4	5340.035	9630024100
		SR6/L		5340.045	9630029139
34	Nut, bearing front	SR6/S	2	5080.017	9630029036
		SR6/L		5080.019	9630029038
				5340.045	9630029139
				5340.046	9630029140

SR6 Pumps (continued)					
Drg No.	Description		Qty	Part No.	Item No.
35	Lip seal, upper chamber	NBR	1	5310.046	9630030620
		FPM		5310.069	9630032805
36	Timing gear		2	5210.035	9630030718
37	Torque locking assembly		2	5615.005	9630024455
45	Drain plug, gearcase, oil filled		2	1660.008	9630023548
45a	Drain plug, gearcase cover		2	1660.004	9630023546
46	Sight glass, oil filled		2	5480.001	9630032778
47	Filler plug, oil filled		2	31491.0052.1	9630018599
50	Gland guard	SR6/S	2	5243.021	9630043046
		SR6/L		5243.028	9630027638
51	Screw, gland guard		2	5990.045	9630030332
52	Washer, gland guard		2	6400.046	9630030121

SR6 Pump - Exploded View Drawing



Rotorcases - Body Part Numbers

Due to the high number of combinations of rotorcase body and port standard the below tables show how to construct the complete rotorcase part number.

Example:

*Rotorcase machined for R90 mechanical seal with
1" (25mm) BSP male connections for SR1/005
pump.*

Part number 9037.026S = 9 + 037 + 026 + S

where 9 = constant

037 = rotorcase body code

026 = rotorcase port code

S = constant (SR)

R90 = R90 and Packed Gland Seal

HS = drilled for Heating Saddle

RECT = Rectangular Inlet

Port bore information is for internal use only

Rotorcase Body		Port Bore		R90	R90 HS	R90 RECT	R90 RECT HS
		Size (mm)	Code				
SR1/005	STD	13.5	A	013	049	-	-
	ENL	22.2	B	037	061	181	241
SR1/008	STD	22.2	B	014	050	-	-
	ENL	26.0	C	038	062	191	242
SR2/013	STD	22.2	B	015	051	-	-
	ENL	26.0	C	039	063	182	243
SR2/018	STD	26.0	C	016	052	-	-
	ENL	34.9	D/E	040	064	192	244
SR3/027	STD	26.0	C	017	053	-	-
	ENL	34.9	D/E	041	065	183	245
SR3/038	STD	38.0	F	016	054	-	-
	ENL	47.6	G/H	042	066	193	246
SR4/055	STD	34.9	E	019	055	-	-
	ENL	47.6	G/H	043	067	184	247
SR4/079	STD	47.6	H	020	056	-	-
	ENL	63.0	K	044	068	194	248
SR5/116	STD	47.6	H	021	057	-	-
	ENL	63.0	K	045	069	185	249
SR5/168	STD	70.0	L	022	058	269	-
	ENL	78.0	O	046	070	195	250
SR6/246	STD	70.0	L	023	059	-	-
	ENL	78.0	N/O	047	071	186	251
SR6/353	STD	97.6	P	024	060	265	-
	ENL	120.0	Q	048	072	196	252

Rotorcases - Port Part Numbers											
Rotorcase Port	Port Bore			BSP	BSPT	NPT	IDF	RJT	ILC	3A ACME	RDG
	Size (mm)	Bore	Code								
005	25	13.5	A	025	057	049	041	033	113	065	105
005/008/013	25	22.2	B	026	058	050	042	034	114	066	106
008/013/018/027	40	26.0	C	027	059	051	043	035	115	067	107
018/027	40	34.9	D	252	696	695	318	342	700	697	699
018/027/055	50	34.9	E	028	060	052	044	036	116	068	108
038	50	38.0	F	029	061	053	045	037	117	069	109
038/055	50	47.6	G	231	283	707	233	232	710	708	383
038/055/079/116	65	47.6	H	030	062	054	046	038	118	070	110
079/116	65	60.3	I	644	647	646	645	623	654	648	653
079/116	65	63.0	J	-	-	-	376	377	-	-	-
079/116	80	63.0	K	135	143	141	139	137	157	145	155
168/246	80	70.0	L	031	063	055	047	039	119	071	111
168	80	73.0	M	664	667	666	665	624	673	668	681
246	80	78.0	N	-	-	-	600	-	-	-	-
168/246	100	78.0	O	136	144	142	140	138	158	146	156
353	100	97.6	P	032	064	056	048	040	120	072	112
353	150	120.0	Q	280	279	597	-	-	-	-	-
Rotorcase Port	Port Bore			SMS	SMS FS	DIN 11851	Tri Clamp BS4825	I LINE	SRJT	Thread Bevel Seat	DS
	Size (mm)	Bore	Code								
005	25	13.5	A	073	097	089	081	121	564	242	286
005/008/013	25	22.2	B	074	098	090	082	122	565	243	287
008/013/018/027	40	26.0	C	075	099	091	083	123	566	244	288
018/027	40	34.9	D	253	698	276	274	701	567	420	289
018/027/055	50	34.9	E	076	100	092	084	124	568	245	290
038	50	38.0	F	077	101	093	085	125	569	246	291
038/055	50	47.6	G	234	709	235	271	711	570	421	292
038/055/079/116	65	47.6	H	078	102	094	086	126	508	247	293
079/116	65	60.3	I	649	652	651	650	655	662	657	659
079/116	65	63.0	J	450	-	428	323	-	-	456	384
079/116	80	63.0	K	147	153	151	149	159	509	250	294
168/246	80	70.0	L	079	103	095	087	127	571	248	295
168	80	73.0	M	669	672	671	670	674	738	676	678
246	80	78.0	N	419	-	432	599	-	-	-	385
168/246	100	78.0	O	148	154	152	150	160	573	251	296
353	100	97.6	P	080	104	096	088	128	572	249	297
353	150	120.0	Q	-	-	230	300	-	222	-	-
Rotorcase Port	Port Bore			BS10 E	BS10 F	ASA 150RF	ASA 300RF	BS 4504 PN16	JIS B2212/ 10F	ASA 150FF	SMS Sodime
	Size (mm)	Bore	Code								
005	25	13.5	A	001	168	017	197	009	179	211	396
005/008/013	25	22.2	B	002	169	018	198	010	180	212	397
008/013/018/027	40	26.0	C	003	170	019	199	011	181	213	398
018/027	40	34.9	D	694	702	360	704	416	703	705	399
018/027/055	50	34.9	E	004	171	020	200	012	182	214	400
038	50	38.0	F	005	172	021	201	013	183	215	401
038/055	50	47.6	G	706	712	272	714	327	713	715	402
038/055/079/116	65	47.6	H	006	173	022	202	014	184	216	403
079/116	65	60.3	I	683	686	685	688	684	687	689	661
079/116	65	63.0	J	-	-	-	-	-	-	-	-
079/116	80	63.0	K	129	176	133	203	131	186	217	406
168/246	80	70.0	L	007	174	023	204	015	185	218	404
168	80	73.0	M	735	-	737	-	736	-	-	680
246	80	78.0	N	-	-	-	-	-	-	-	-
168/246	100	78.0	O	130	177	134	205	132	188	219	407
353	100	97.6	P	008	175	024	206	016	187	220	405
353	150	120.0	Q	161	178	163	207	162	189	221	-

Rectangular to Round Adaptors

The table below shows how to construct the part number for rectangular to round adaptors.

Example:

Rectangular to Round Adaptor with 4" (100mm) SMS connection for SR4/079 pump.

Part number 5001.359.080 = 5001.359 + 080

where 5001.359 = rectangular adaptor code

080 = adaptor port code (see page 22-23)

Rotorcase	Port Bore			Rectangular Adaptor code
	Size (mm)	Bore	Code	
SR1/005	40	26.0	C	5001.435
SR1/008	50	38.0	F	5001.236
SR2/013	50	38.0	F	5001.275
SR2/018	80	70.0	L	5001.237
SR3/027	80	70.0	L	5001.281
SR3/038	80	70.0	L	5001.238
SR4/055	100	97.6	P	5001.316
SR4/079	100	97.6	P	5001.359
SR5/116	100	97.6	P	5001.367
SR5/168	150	120.0	Q	5001.240
SR6/246	150	120.0	Q	5001.395
SR6/353	150	120.0	Q	5001.241

Rotorcase	Fixing Stud (4 per adaptor)		Nut, Fixing Stud (4 per adaptor)	
	Part No.	Item No.	Part No.	Item No.
SR1	6350.019	9630023949	5330.007	9630024061
SR2	6350.018	9630035187	5330.007	9630024061
SR3	6350.093	9630031415	5330.003	9630024057
SR4	6350.093	9630031415	5330.003	9630024057
SR5	6350.104	9630019863	5330.000	9630024051
SR6	5990.038	9630027137	-	-

Rotorcase	'O' Ring, FPM (1 per adaptor)	
	Part No.	Item No.
SR1/005	1551.033	9630075998
SR1/008	1551.034	9630063230
SR2/013	1551.035	9630087703
SR2/018	1551.143	9630046200
SR3/027	1551.151	9630077949
SR3/038	1551.152	9630038937
SR4/055	5380.403	9630043060
SR4/079	5380.161	9630024291
SR5/116	5380.272	9630027953
SR5/168	1551.249	9630023462
SR6/246	1551.259	9630040020
SR6/353		

R90 Single Mechanical Seals (Complete) - SR1-SR2 Pump Models

2 seals per pump. It is recommended to replace both sets of seals when wear dictates seal replacement

Rotary Seal / Stationary Seal Ring	'O' Rings	SR1		SR2		
		Part No.	Item No.	Part No.	Item No.	
Stainless Steel / Carbon	NBR	7400.101N	9630032046	7400.102N	9630033227	
	EPDM	7400.101E	9630026348	7400.102E	9630033228	
	FPM	7400.101V	9630032577	7400.102V	9630032841	
	PTFE	7400.101P	9630033226	7400.102P	9630033229	
Stainless Steel / Inserted Carbon	NBR	7400.141N	9630032044	7400.142N	9630033248	
	EPDM	7400.141E	9630033246	7400.142E	9630033250	
	FPM	7400.141V	9630033245	7400.142V	9630033249	
	PTFE	7400.141P	9630033247	7400.142P	9630033251	
Tungsten Carbide / Inserted Carbon	NBR	7400.161N	9630032048	7400.162N	9630033268	
	EPDM	7400.161E	9630033274	7400.162E	9630033277	
	FPM	7400.161V	9630033273	7400.162V	9630033276	
	PTFE	7400.161P	9630033275	7400.162P	9630033278	
Tungsten Carbide / Tungsten Carbide	NBR	7400.171N	9630032049	7400.172N	9630032473	
	EPDM	7400.171E	9630033296	7400.172E	9630033299	
	FPM	7400.171V	9630033295	7400.172V	9630033298	
	PTFE	7400.171P	9630033297	7400.172P	9630033300	
Silicon Carbide / Inserted Carbon	NBR	7400.191N	9630090695	7400.192N	9630090697	
	EPDM	7400.191E	9630090694	7400.192E	9630090696	
	FPM	7400.191V	9630069887	7400.192V	9630024870	
	PTFE	7400.191P	9630071429	7400.192P	9630090698	
Silicon Carbide / Silicon Carbide	NBR	7400.201N	9630032051	7400.202N	9630022584	
	EPDM	7400.201E	9630056727	7400.202E	9630060647	
	FPM	7400.201V	9630035318	7400.202V	9630060084	
	PTFE	7400.201P	9630090693	7400.202P	9630030257	
Description	Qty	SR1		SR2		
		Part No.	Item No.	Part No.	Item No.	
Anti-Rotation Pin	6	5180.017	9630031424	5180.017	9630031424	
Spacer (over 10 bar only)	2	-	-	5670.070	9630028683	
Spacer 'O' Ring	2	NBR	-	-	5380.052	9630024180
		EPDM	-	-	5380.417	9630043406
		FPM	-	-	5380.053	9630024181
		PTFE	-	-	5380.283	9630031603

Flushed Mechanical Seals:

Description	Drawing Item No.	Qty	SR1/L		SR2/L	
			Part No.	Item No.	Part No.	Item No.
Spacer 'O' Ring (FPM)	7	2	5380.319	9630034859	5380.053	9630024181
Spacer	8	2	5670.109	9630033407	5670.070	9630028683
Lip Seal (FPM)	11	2	5310.123	9630061801	5310.124	9630061802
Housing, BSPT	10	2	5265.224AA	9630028370	5265.305A	9630032706
Housing, NPT			5265.224BA	9630045526	5265.305B	9630045913
Gasket	9	1	5198.201	9630062179	-	-
		2	-	-	5198.100	9630031523
Stud	-	4	6350.112	9630033405	6350.102	9630027474
Washer	-	4	6400.046	9630030121	6400.036	9630024231
Nut, Stud	-	4	5330.007	9630024061	5330.003	9630024057

R90 Single Mechanical Seals (Complete) - SR3-SR4 Pump Models

2 seals per pump. It is recommended to replace both sets of seals when wear dictates seal replacement

Rotary Seal / Stationary Seal Ring	'O' Rings	SR3		SR4		
		Part No.	Item No.	Part No.	Item No.	
Stainless Steel / Carbon	NBR	7400.103N	9630033230	7400.104N	9630033114	
	EPDM	7400.103E	9630033231	7400.104E	9630033233	
	FPM	7400.103V	9630032908	7400.104V	9630032968	
	PTFE	7400.103P	9630033232	7400.104P	9630033234	
Stainless Steel / Inserted Carbon	NBR	7400.143N	9630033252	7400.144N	9630033253	
	EPDM	7400.143E	9630033257	7400.144E	9630033260	
	FPM	7400.143V	9630033256	7400.144V	9630033259	
	PTFE	7400.143P	9630033258	7400.144P	9630033261	
Tungsten Carbide / Inserted Carbon	NBR	7400.163N	9630033269	7400.164N	9630033270	
	EPDM	7400.163E	9630033280	7400.164E	9630033283	
	FPM	7400.163V	9630033279	7400.164V	9630033282	
	PTFE	7400.163P	9630033281	7400.164P	9630033284	
Tungsten Carbide / Tungsten Carbide	NBR	7400.173N	9630033291	7400.174N	9630033292	
	EPDM	7400.173E	9630033302	7400.174E	9630033305	
	FPM	7400.173V	9630033301	7400.174V	9630033304	
	PTFE	7400.173P	9630033303	7400.174P	9630033306	
Silicon Carbide / Inserted Carbon	NBR	7400.193N	9630090699	7400.194N	9630042382	
	EPDM	7400.193E	9630073216	7400.194E	9630087140	
	FPM	7400.193V	9630090700	7400.194V	9630031835	
	PTFE	7400.193P	9630090701	7400.194P	9630057619	
Silicon Carbide / Silicon Carbide	NBR	7400.203N	9630043322	7400.204N	9630090702	
	EPDM	7400.203E	9630050713	7400.204E	9630061483	
	FPM	7400.203V	9630035405	7400.204V	9630045054	
	PTFE	7400.203P	9630073421	7400.204P	9630039376	
Description	Qty	SR3		SR4		
		Part No.	Item No.	Part No.	Item No.	
Anti-Rotation Pin	6	5180.017	9630031424	5180.016	9630031422	
Spacer (over 10 bar only)	2	5670.108	9630033143	5670.074	9630028655	
Spacer 'O' Ring	2	NBR	5380.021	9630024120	5380.030	9630024129
		EPDM	5380.415	9630043403	5380.410	9630043109
		FPM	5380.019	9630024118	5380.275	9630026743
		PTFE	5380.284	9630031604	5380.285	9630031605

Flushed Mechanical Seals:

Description	Drawing Item No.	Qty	SR3/L		SR4/S and SR4/L	
			Part No.	Item No.	Part No.	Item No.
Spacer 'O' Ring (FPM)	7	2	5380.019	9630024118	5380.275	9630027643
Spacer, short gearbox	8	2	-	-	5670.073	9630028679
Spacer, long gearbox			5670.108	9630033143	5670.074	9630028655
Lip Seal (FPM)	11	2	5310.125	9630061803	5310.126	9630061804
Housing, BSPT	10	2	5265.306A	9630039927	5265.307A	9630032692
Housing, NPT			5265.306B	9630046010	5265.307B	9630045824
Gasket	9	2	5198.101	9630031471	5198.102	9630031351
Stud		4	6350.102	9630027474	-	-
Washer		4	6400.036	9630024231	-	-
Nut, Stud		4	5330.003	9630024057	-	-
Screw		4	-	-	5990.078	9630060520

R90 Single Mechanical Seals (Complete) - SR5-SR6 Pump Models

2 seals per pump. It is recommended to replace both sets of seals when wear dictates seal replacement

Rotary Seal / Stationary Seal Ring	'O' Rings	SR5		SR6		
		Part No.	Item No.	Part No.	Item No.	
Stainless Steel / Carbon	NBR	7400.105N	9630033117	7400.106N	9630033237	
	EPDM	7400.105E	9630033235	7400.106E	9630033239	
	FPM	7400.105V	9630033118	7400.106V	9630033238	
	PTFE	7400.105P	9630033236	7400.106P	9630033240	
Stainless Steel / Inserted Carbon	NBR	7400.145N	9630033254	7400.146N	9630033255	
	EPDM	7400.145E	9630033263	7400.146E	9630033266	
	FPM	7400.145V	9630033262	7400.146V	9630033265	
	PTFE	7400.145P	9630033264	7400.146P	9630033267	
Tungsten Carbide / Inserted Carbon	NBR	7400.165N	9630033271	7400.166N	9630033272	
	EPDM	7400.165E	9630033286	7400.166E	9630033289	
	FPM	7400.165V	9630033285	7400.166V	9630033288	
	PTFE	7400.165P	9630033287	7400.166P	9630033290	
Tungsten Carbide / Tungsten Carbide	NBR	7400.175N	9630033293	7400.176N	9630033294	
	EPDM	7400.175E	9630033308	7400.176E	9630033311	
	FPM	7400.175V	9630033307	7400.176V	9630033310	
	PTFE	7400.175P	9630033309	7400.176P	9630033312	
Silicon Carbide / Inserted Carbon	NBR	7400.195N	9630087180	7400.196N	9630090707	
	EPDM	7400.195E	9630090703	7400.196E	9630032866	
	FPM	7400.195V	9630090704	7400.196V	9630028988	
	PTFE	7400.195P	9630085989	7400.196P	9630069377	
Silicon Carbide / Silicon Carbide	NBR	7400.205N	9630062756	7400.206N	9630090705	
	EPDM	7400.205E	9630057537	7400.206E	9630077819	
	FPM	7400.205V	9630045055	7400.206V	9630032232	
	PTFE	7400.205P	9630045555	7400.206P	9630090706	
Description	Qty	SR5		SR6		
		Part No.	Item No.	Part No.	Item No.	
Anti-Rotation Pin	6	5180.016	9630031422	5180.015	9630029653	
Spacer (over 10 bar only)	2	5670.076	9630028628	5670.078	9630028608	
Spacer 'O' Ring	2	NBR	5380.076	9630024193	5380.136	9630024267
		EPDM	5380.198	9630025794	5380.134	9630024265
		FPM	5380.077	9630024194	5380.158	9630024289
		PTFE	5380.192	9630024367	5380.165	9630024337

Flushed Mechanical Seals:

Description	Drawing Item No.	Qty	SR5/S and SR5/L		SR6/S and SR6/L	
			Part No.	Item No.	Part No.	Item No.
Spacer 'O' Ring (FPM)	7	2	5380.077	9630024194	5380.158	9630024289
Spacer, short gearbox	8	2	5670.075	9630028659	5670.077	9630028624
Spacer, long gearbox			5670.076	9630028628	5670.078	9630028608
Lip Seal (FPM)	11	2	5310.127	9630061805	5310.128	9630061806
Housing, BSPT	10	2	5265.308A	9630022756	5265.309A	9630032590
Housing, NPT			5265.308B	9630045839	5265.309B	9630046167
Gasket	9	2	5198.103	9630031077	5198.104	9630030911
Stud		4	6350.104	9630019863	6350.105	9630027485
Washer		4	6400.037	9630024233	6400.037	9630024233
Nut, Stud		4	5330.000	9630024051	5330.000	9630024051

R90 Single Mechanical Seals (Parts) - SR1-4 Pump Models

Drg No.	Description	Material	Qty	SR1		SR2	
				Part No	Item No	Part No	Item No
1	Stationary Seal Ring 'O' Ring	NBR	2	5380.214	9630028449	5380.222	9630027299
		EPDM		5380.218	9630027782	5380.226	9630028377
		FPM		5380.216	9630028447	5380.224	9630028379
		PTFE		5380.220	9630019763	5380.228	9630028374
2	Stationary Seal Ring	Solid Carbon	2	R5630.066	9630026215	R5630.067	9630026164
		Inserted Carbon		R5630.060	9630025257	R5630.061	9630025258
		Tungsten Carbide		R5630.072	9630029728	R5630.073	9630026168
		Silicon Carbide		R5630.078	9630026003	R5630.079	9630044552
3/5/6 7/8	Rotary Seal Assembly	Stainless Steel	2	R7400.121	9630030218	R7400.122	9630030219
		Tungsten Carbide		R7400.131	9630026464	R7400.132	9630026570
		Silicon Carbide		R7400.181	9630027025	R7400.182	9630027024
4	Rotary Seal Ring 'O' Ring	NBR	2	5380.213	9630028460	5380.221	9630027301
		EPDM		5380.217	9630028446	5380.225	9630028378
		FPM		5380.215	9630028448	5380.223	9630028380
		PTFE		5380.219	9630028382	5380.227	9630028375

Note: Rotary Seal Assembly comprises of rotary seal ring, wave spring, set screw and washer

5	Wave Spring	2	R6300.031	9630026769	R6300.032	9630026770
7	Set Screw	6	6010.012	9630030298	6010.012	9630030298
8	Washer	2	R6400.061	9630045430	R6400.062	9630045431

Drg No.	Description	Material	Qty	SR3		SR4	
				Part No	Item No	Part No	Item No
1	Stationary Seal Ring 'O' Ring	NBR	2	5380.230	9630028368	5380.238	9630028260
		EPDM		5380.234	9630028321	5380.242	9630025642
		FPM		5380.232	9630028357	5380.240	9630027472
		PTFE		5380.236	9630028266	5380.244	9630026096
2	Stationary Seal Ring	Solid Carbon	2	R5630.068	9630026163	R5630.069	9630017815
		Inserted Carbon		R5630.062	9630026162	R5630.063	9630035092
		Tungsten Carbide		R5630.074	9630017810	R5630.075	9630026167
		Silicon Carbide		R5630.080	9630027021	R5630.081	9630027020
3/5/6 7/8	Rotary Seal Assembly	Stainless Steel	2	R7400.123	9630026877	R7400.124	9630026882
		Tungsten Carbide		R7400.133	9630026569	R7400.134	9630026585
		Silicon Carbide		R7400.183	9630027023	R7400.184	9630045909
4	Rotary Seal Ring 'O' Ring	NBR	2	5380.149	9630024280	5380.237	9630028263
		EPDM		5380.093	9630024206	5380.241	9630025646
		FPM		5380.101	9630024214	5380.239	9630021115
		PTFE		5380.123	9630024254	5380.243	9630026094

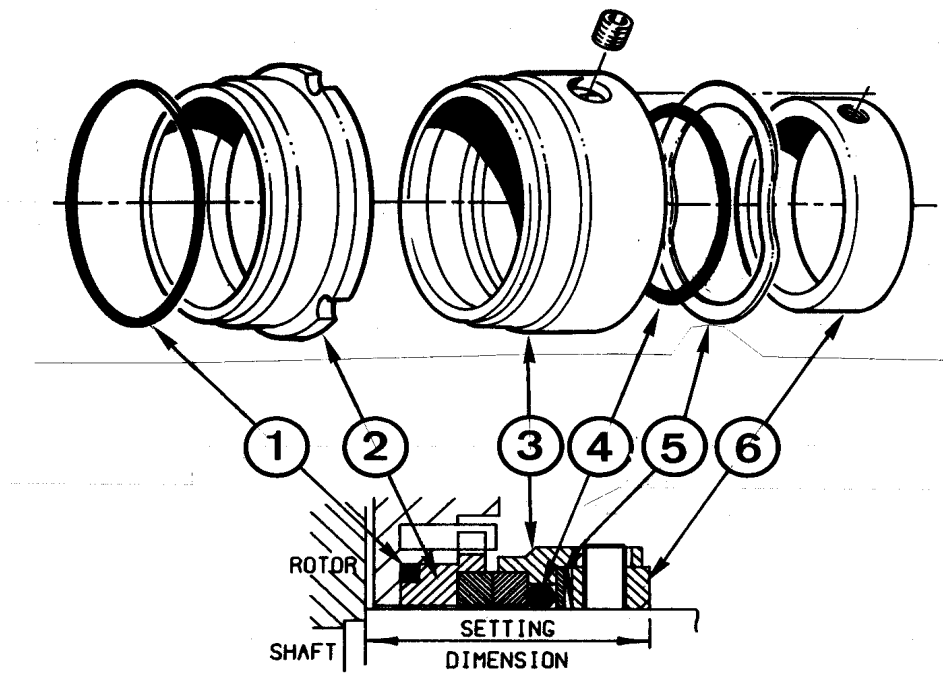
Note: Rotary Seal Assembly comprises of rotary seal ring, wave spring, set screw and washer

5	Wave Spring	2	R6300.033	9630022957	R6300.034	9630026228
7	Set Screw	6	6010.012	9630030298	6010.013	9630030299
8	Washer	2	R6400.063	9630045432	R6400.064	9630045433

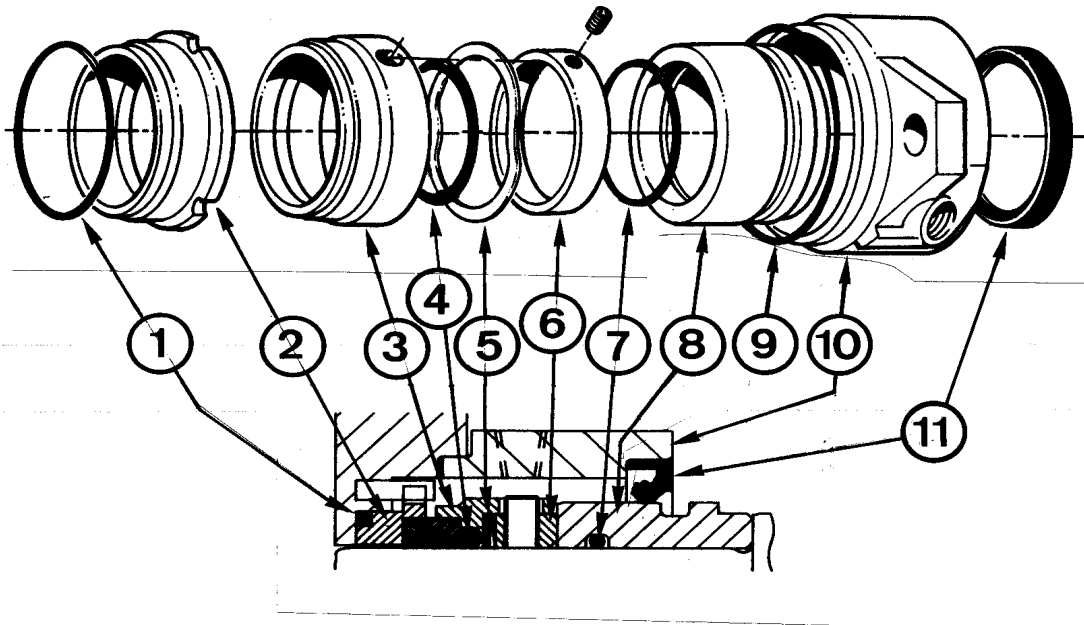
R90 Single Mechanical Seals (Parts) - SR5-6 Pump Models

Drg No.	Description	Material	Qty	SR5		SR6	
				Part No	Item No	Part No	Item No
1	Stationary Seal Ring 'O' Ring	NBR	2	5380.246	9630025417	5380.254	9630027486
		EPDM		5380.250	9630025437	5380.258	9630029893
		FPM		5380.248	9630025398	5380.256	9630029897
		PTFE		5380.252	9630025846	5380.260	9630029885
2	Stationary Seal Ring	Solid Carbon	2	R5630.070	9630026196	R5630.071	9630029729
		Inserted Carbon		R5630.064	9630026207	R5630.065	9630026165
		Tungsten Carbide		R5630.076	9630026219	R5630.077	9630026193
		Silicon Carbide		R5630.082	9630044328	R5630.083	9630027019
3/5/6 7/8	Rotary Seal Assembly	Stainless Steel	2	R7400.125	9630026172	R7400.126	9630026449
		Tungsten Carbide		R7400.135	9630026584	R7400.136	9630022294
		Silicon Carbide		R7400.185	9630027022	R7400.186	9630046520
4	Rotary Seal Ring 'O' Ring	NBR	2	5380.245	9630026648	5380.253	9630026625
		EPDM		5380.249	9630025314	5380.257	9630029896
		FPM		5380.247	9630025438	5380.255	9630026693
		PTFE		5380.251	9630026704	5380.259	9630029889
Note: Rotary Seal Assembly comprises of rotary seal ring, wave spring, set screw and washer							
5	Wave Spring		2	R6300.035	9630026208	-	-
5	Coil Spring		12	-	-	R6300.036	9630026227
7	Set Screw		6	6010.032	9630027891	6010.030	9630034730
8	Washer		2	R6400.065	9630045434	R6400.066	9630045435

R90 Single Mechanical Seal - Exploded View Drawing



R90 Single Flushed Mechanical Seal - Exploded View Drawing



R90 Double Mechanical Seals (Complete) - SR1 Pumps

2 seals per pump. It is recommended to replace both sets of seals when wear dictates seal replacement.

Inboard Seal Rotary Seal / Stationary Seal Ring	Outboard Seal Rotary Seal / Stationary Seal Ring	Inboard Seal 'O' Ring	Outboard Seal 'O' Ring	SR1/L	
				Part No.	Item No.
Stainless Steel / Carbon	Stainless Steel / Carbon	NBR	NBR	7400.101N/101N	9630043289
		EPDM	EPDM	7400.101E/101E	9630028617
		FPM	FPM	7400.101V/101V	
		PTFE	PTFE	7400.101P/101P	
		PTFE	NBR	7400.101P/101N	9630042850
		PTFE	EPDM	7400.101P/101E	
PTFE	FPM	7400.101P/101V			
Stainless Steel / Inserted Carbon	Stainless Steel / Inserted Carbon	NBR	NBR	7400.141N/141N	9630056927
		EPDM	EPDM	7400.141E/141E	
		FPM	FPM	7400.141V/141V	
		PTFE	PTFE	7400.141P/141P	
		PTFE	NBR	7400.141P/141N	
		PTFE	EPDM	7400.141P/141E	
Tungsten Carbide / Tungsten Carbide	Stainless Steel / Carbon	NBR	NBR	7400.171N/101N	9630034043
		EPDM	EPDM	7400.171E/101E	9630041636
		FPM	FPM	7400.171V/101V	
		PTFE	PTFE	7400.171P/101P	
		PTFE	NBR	7400.171P/101N	9630025112
		PTFE	EPDM	7400.171P/101E	
PTFE	FPM	7400.171P/101V			
Tungsten Carbide / Tungsten Carbide	Tungsten Carbide / Tungsten Carbide	NBR	NBR	7400.171N/171N	9630040458
		EPDM	EPDM	7400.171E/171E	9630044855
		FPM	FPM	7400.171V/171V	
		PTFE	PTFE	7400.171P/171P	
		PTFE	NBR	7400.171P/171N	
		PTFE	EPDM	7400.171P/171E	
Silicon Carbide / Silicon Carbide	Stainless Steel / Carbon	NBR	NBR	7400.201N/101N	
		EPDM	EPDM	7400.201E/101E	
		FPM	FPM	7400.201V/101V	
		PTFE	PTFE	7400.201P/101P	
		PTFE	NBR	7400.201P/101N	
		PTFE	EPDM	7400.201P/101E	
PTFE	FPM	7400.201P/101V			

Note: Above are listed the most common seal ring / 'O' ring combinations - for other combinations see p.38.

Description	Drg. No.	Qty	SR1/L	
			Part No.	Item No.
Housing, BSPT	13	2	5265.221AA	9630040244
Housing, NPT			5265.221BA	9630029155
Elbow, BSPT	13A	4	5192.050A	9630034032
Elbow, NPT			5192.050B	9630034033
Gasket	11	1	5198.201	9630062179
Stud	-	4	6350.112	9630033404
Nut, Stud	-	4	5330.007	9630024061

Note: Elbows only required on pumps with flanged connections.

R90 Double Mechanical Seals (Complete) - SR2 Pumps

2 seals per pump. It is recommended to replace both sets of seals when wear dictates seal replacement.

Inboard Seal	Outboard Seal	Inboard Seal 'O' Ring	Outboard Seal 'O' Ring	SR2/L	
Rotary Seal / Stationary Seal Ring	Rotary Seal / Stationary Seal Ring			Part No.	Item No.
Stainless Steel / Carbon	Stainless Steel / Carbon	NBR	NBR	7400.102N/102N	9630034680
		EPDM	EPDM	7400.102E/102E	9630044938
		FPM	FPM	7400.102V/102V	9630034198
		PTFE	PTFE	7400.102P/102P	9630058326
		PTFE	NBR	7400.102P/102N	9630045689
		PTFE	EPDM	7400.102P/102E	
		PTFE	FPM	7400.102P/102V	9630049526
Stainless Steel / Inserted Carbon	Stainless Steel / Inserted Carbon	NBR	NBR	7400.142N/142N	9630037819
		EPDM	EPDM	7400.142E/142E	9630099017
		FPM	FPM	7400.142V/142V	9630094530
		PTFE	PTFE	7400.142P/142P	9630035263
		PTFE	NBR	7400.142P/142N	
		PTFE	EPDM	7400.142P/142E	9630092088
		PTFE	FPM	7400.142P/142V	
Tungsten Carbide / Tungsten Carbide	Stainless Steel / Carbon	NBR	NBR	7400.172N/102N	9630040399
		EPDM	EPDM	7400.172E/102E	9630041786
		FPM	FPM	7400.172V/102V	9630034946
		PTFE	PTFE	7400.172P/102P	9630039321
		PTFE	NBR	7400.172P/102N	9630033456
		PTFE	EPDM	7400.172P/102E	
		PTFE	FPM	7400.172P/102V	9630025526
Tungsten Carbide / Tungsten Carbide	Tungsten Carbide / Tungsten Carbide	NBR	NBR	7400.172N/172N	9630056098
		EPDM	EPDM	7400.172E/172E	9630035369
		FPM	FPM	7400.172V/172V	9630035299
		PTFE	PTFE	7400.172P/172P	9630052091
		PTFE	NBR	7400.172P/172N	
		PTFE	EPDM	7400.172P/172E	
		PTFE	FPM	7400.172P/172V	
Silicon Carbide / Silicon Carbide	Stainless Steel / Carbon	NBR	NBR	7400.202N/102N	9630040268
		EPDM	EPDM	7400.202E/102E	
		FPM	FPM	7400.202V/102V	
		PTFE	PTFE	7400.202P/102P	
		PTFE	NBR	7400.202P/102N	
		PTFE	EPDM	7400.202P/102E	
		PTFE	FPM	7400.202P/102V	

Note: Above are listed the most common seal ring / 'O' ring combinations - for other combinations see p.38.

Description	Drg. No.	Qty	SR2/L	
			Part No.	Item No.
Housing, BSPT	13	2	5265.325A	9630040952
Housing, NPT			5265.325B	9630038226
Elbow, BSPT	13A	4	5192.050A	9630034032
Elbow, NPT			5192.050B	9630034033
Gasket	11	2	5198.100	9630031523
Stud	-	4	6350.103	9630027364
Nut, Stud	-	4	5330.003	9630024057

Note: Elbows only required on pumps with flanged connections.

R90 Double Mechanical Seals (Complete) - SR3 Pumps

2 seals per pump. It is recommended to replace both sets of seals when wear dictates seal replacement.

Inboard Seal Rotary Seal / Stationary Seal Ring	Outboard Seal Rotary Seal / Stationary Seal Ring	Inboard Seal 'O' Ring	Outboard Seal 'O' Ring	SR3/L	
				Part No.	Item No.
Stainless Steel / Carbon	Stainless Steel / Carbon	NBR	NBR	7400.103N/103N	9630032602
		EPDM	EPDM	7400.103E/103E	9630046017
		FPM	FPM	7400.103V/103V	9630032969
		PTFE	PTFE	7400.103P/103P	9630036747
		PTFE	NBR	7400.103P/103N	9630040110
		PTFE	EPDM	7400.103P/103E	
		PTFE	FPM	7400.103P/103V	9630043245
Stainless Steel / Inserted Carbon	Stainless Steel / Inserted Carbon	NBR	NBR	7400.143N/143N	9630039276
		EPDM	EPDM	7400.143E/143E	
		FPM	FPM	7400.143V/143V	9630043303
		PTFE	PTFE	7400.143P/143P	
		PTFE	NBR	7400.143P/143N	
		PTFE	EPDM	7400.143P/143E	
Tungsten Carbide / Tungsten Carbide	Stainless Steel / Carbon	NBR	NBR	7400.173N/103N	9630037420
		EPDM	EPDM	7400.173E/103E	9630028328
		FPM	FPM	7400.173V/103V	9630025967
		PTFE	PTFE	7400.173P/103P	9630051218
		PTFE	NBR	7400.173P/103N	
		PTFE	EPDM	7400.173P/103E	
Tungsten Carbide / Tungsten Carbide	Tungsten Carbide / Tungsten Carbide	NBR	NBR	7400.173N/173N	9630067827
		EPDM	EPDM	7400.173E/173E	9630049354
		FPM	FPM	7400.173V/173V	9630091612
		PTFE	PTFE	7400.173P/173P	
		PTFE	NBR	7400.173P/173N	
		PTFE	EPDM	7400.173P/173E	
Silicon Carbide / Silicon Carbide	Stainless Steel / Carbon	NBR	NBR	7400.203N/103N	9630061788
		EPDM	EPDM	7400.203E/103E	
		FPM	FPM	7400.203V/103V	
		PTFE	PTFE	7400.203P/103P	
		PTFE	NBR	7400.203P/103N	
		PTFE	EPDM	7400.203P/103E	
Silicon Carbide / Silicon Carbide	Stainless Steel / Carbon	NBR	NBR	7400.203P/103V	
		EPDM	EPDM		
		FPM	FPM		
		PTFE	PTFE		
		PTFE	NBR		
		PTFE	EPDM		

Note: Above are listed the most common seal ring / 'O' ring combinations - for other combinations see p.38.

Description	Drg. No.	Qty	SR3/L	
			Part No.	Item No.
Housing, BSPT	13	2	5265.326A	9630032543
Housing, NPT			5265.326B	9630046719
Elbow, BSPT	13A	4	5192.050A	9630034032
Elbow, NPT			5192.050B	9630034033
Gasket	11	2	5198.101	9630031471
Stud	-	4	6350.103	9630027364
Nut, Stud	-	4	5330.003	9630024057

Note: Elbows only required on pumps with flanged connections.

R90 Double Mechanical Seals (Complete) - SR4 Pumps

2 seals per pump. It is recommended to replace both sets of seals when wear dictates seal replacement.

Inboard Seal Rotary Seal / Stationary Seal Ring	Outboard Seal Rotary Seal / Stationary Seal Ring	Inboard Seal 'O' Ring	Outboard Seal 'O' Ring	SR4/L	
				Part No.	Item No.
Stainless Steel / Carbon	Stainless Steel / Carbon	NBR	NBR	7400.104N/104N	9630033040
		EPDM	EPDM	7400.104E/104E	9630029604
		FPM	FPM	7400.104V/104V	9630032970
		PTFE	PTFE	7400.104P/104P	9630034370
		PTFE	NBR	7400.104P/104N	
		PTFE	EPDM	7400.104P/104E	
		PTFE	FPM	7400.104P/104V	9630022782
Stainless Steel / Inserted Carbon	Stainless Steel / Inserted Carbon	NBR	NBR	7400.144N/144N	9630039738
		EPDM	EPDM	7400.144E/144E	
		FPM	FPM	7400.144V/144V	9630044147
		PTFE	PTFE	7400.144P/144P	9630057429
		PTFE	NBR	7400.144P/144N	
		PTFE	EPDM	7400.144P/144E	
		PTFE	FPM	7400.144P/144V	
Tungsten Carbide / Tungsten Carbide	Stainless Steel / Carbon	NBR	NBR	7400.174N/104N	9630037201
		EPDM	EPDM	7400.174E/104E	9630039271
		FPM	FPM	7400.174V/104V	9630020899
		PTFE	PTFE	7400.174P/104P	9630042973
		PTFE	NBR	7400.174P/104N	
		PTFE	EPDM	7400.174P/104E	
		PTFE	FPM	7400.174P/104V	9630022459
Tungsten Carbide / Tungsten Carbide	Tungsten Carbide / Tungsten Carbide	NBR	NBR	7400.174N/174N	9630066039
		EPDM	EPDM	7400.174E/174E	9630061973
		FPM	FPM	7400.174V/174V	9630050779
		PTFE	PTFE	7400.174P/174P	9630060209
		PTFE	NBR	7400.174P/174N	
		PTFE	EPDM	7400.174P/174E	
		PTFE	FPM	7400.174P/174V	
Silicon Carbide / Silicon Carbide	Stainless Steel / Carbon	NBR	NBR	7400.204N/104N	9630097660
		EPDM	EPDM	7400.204E/104E	9630085532
		FPM	FPM	7400.204V/104V	
		PTFE	PTFE	7400.204P/104P	
		PTFE	NBR	7400.204P/104N	
		PTFE	EPDM	7400.204P/104E	
		PTFE	FPM	7400.204P/104V	

Note: Above are listed the most common seal ring / 'O' ring combinations - for other combinations see p.38.

Description	Drg. No.	Qty	SR4/L	
			Part No.	Item No.
Housing, BSPT	13	2	5265.327A	9630023635
Housing, NPT			5265.327B	9630045904
Elbow, BSPT	13A	4	5192.050A	9630034032
Elbow, NPT			5192.050B	9630034033
Gasket	11	2	5198.102	9630031351
Stud	-	4	6350.111	9630025823
Nut, Stud	-	4	5330.000	9630024051

Note: Elbows only required on pumps with flanged connections.

R90 Double Mechanical Seals (Complete) - SR5 Pumps

2 seals per pump. It is recommended to replace both sets of seals when wear dictates seal replacement.

Inboard Seal	Outboard Seal	Inboard Seal 'O' Ring	Outboard Seal 'O' Ring	SR5/L	
Rotary Seal / Stationary Seal Ring	Rotary Seal / Stationary Seal Ring			Part No.	Item No.
Stainless Steel / Carbon	Stainless Steel / Carbon	NBR	NBR	7400.105N/105N	9630039093
		EPDM	EPDM	7400.105E/105E	9630046016
		FPM	FPM	7400.105V/105V	9630042534
		PTFE	PTFE	7400.105P/105P	9630056839
		PTFE	NBR	7400.105P/105N	
		PTFE	EPDM	7400.105P/105E	
		PTFE	FPM	7400.105P/105V	
Stainless Steel / Inserted Carbon	Stainless Steel / Inserted Carbon	NBR	NBR	7400.145N/145N	9630039757
		EPDM	EPDM	7400.145E/145E	9630054831
		FPM	FPM	7400.145V/145V	9630091324
		PTFE	PTFE	7400.145P/145P	
		PTFE	NBR	7400.145P/145N	
		PTFE	EPDM	7400.145P/145E	
		PTFE	FPM	7400.145P/145V	
Tungsten Carbide / Tungsten Carbide	Stainless Steel / Carbon	NBR	NBR	7400.175N/105N	9630039760
		EPDM	EPDM	7400.175E/105E	9630040624
		FPM	FPM	7400.175V/105V	9630020927
		PTFE	PTFE	7400.175P/105P	9630045112
		PTFE	NBR	7400.175P/105N	
		PTFE	EPDM	7400.175P/105E	
		PTFE	FPM	7400.175P/105V	9630045614
Tungsten Carbide / Tungsten Carbide	Tungsten Carbide / Tungsten Carbide	NBR	NBR	7400.175N/175N	9630061989
		EPDM	EPDM	7400.175E/175E	9630048424
		FPM	FPM	7400.175V/175V	9630065194
		PTFE	PTFE	7400.175P/175P	
		PTFE	NBR	7400.175P/175N	
		PTFE	EPDM	7400.175P/175E	
		PTFE	FPM	7400.175P/175V	
Silicon Carbide / Silicon Carbide	Stainless Steel / Carbon	NBR	NBR	7400.205N/105N	9630050392
		EPDM	EPDM	7400.205E/105E	
		FPM	FPM	7400.205V/105V	
		PTFE	PTFE	7400.205P/105P	
		PTFE	NBR	7400.205P/105N	
		PTFE	EPDM	7400.205P/105E	
		PTFE	FPM	7400.205P/105V	

Note: Above are listed the most common seal ring / 'O' ring combinations - for other combinations see p.38.

Description	Drg. No.	Qty	SR5/L	
			Part No.	Item No.
Housing, BSPT	13	2	5265.328A	9630040950
Housing, NPT			5265.328B	9630046650
Gasket	11	2	5198.103	9630031077
Stud	-	4	6350.107	9630028904
Nut, Stud	-	4	5330.000	9630024051

R90 Double Mechanical Seals (Complete) - SR6 Pumps

2 seals per pump. It is recommended to replace both sets of seals when wear dictates seal replacement.

Inboard Seal Rotary Seal / Stationary Seal Ring	Outboard Seal Rotary Seal / Stationary Seal Ring	Inboard Seal 'O' Ring	Outboard Seal 'O' Ring	SR6/L	
				Part No.	Item No.
Stainless Steel / Carbon	Stainless Steel / Carbon	NBR	NBR	7400.106N/106N	9630022646
		EPDM	EPDM	7400.106E/106E	9630039516
		FPM	FPM	7400.106V/106V	
		PTFE	PTFE	7400.106P/106P	
		PTFE	NBR	7400.P106P/106N	
		PTFE	EPDM	7400.P106P/106E	
		PTFE	FPM	7400.P106P/106V	
Stainless Steel / Inserted Carbon	Stainless Steel / Inserted Carbon	NBR	NBR	7400.146N/146N	9630026239
		EPDM	EPDM	7400.146E/146E	
		FPM	FPM	7400.146V/146V	
		PTFE	PTFE	7400.146P/146P	
		PTFE	NBR	7400.P146P/146N	
		PTFE	EPDM	7400.P146P/146E	
		PTFE	FPM	7400.P146P/146V	
Tungsten Carbide / Tungsten Carbide	Stainless Steel / Carbon	NBR	NBR	7400.P176N/106N	9630030293
		EPDM	EPDM	7400.P176E/106E	9630030215
		FPM	FPM	7400.P176V/106V	9630039743
		PTFE	PTFE	7400.P176P/106P	9630039742
		PTFE	NBR	7400.P176P/106N	9630041470
		PTFE	EPDM	7400.P176P/106E	
		PTFE	FPM	7400.P176P/106V	
Tungsten Carbide / Tungsten Carbide	Tungsten Carbide / Tungsten Carbide	NBR	NBR	7400.176N/176N	9630039523
		EPDM	EPDM	7400.176E/176E	9630061932
		FPM	FPM	7400.176V/176V	9630052953
		PTFE	PTFE	7400.176P/176P	9630100941
		PTFE	NBR	7400.P176P/176N	
		PTFE	EPDM	7400.P176P/176E	
		PTFE	FPM	7400.P176P/176V	
Silicon Carbide / Silicon Carbide	Stainless Steel / Carbon	NBR	NBR	7400.P206N/106N	9630064992
		EPDM	EPDM	7400.P206E/106E	
		FPM	FPM	7400.P206V/106V	
		PTFE	PTFE	7400.P206P/106P	
		PTFE	NBR	7400.P206P/106N	
		PTFE	EPDM	7400.P206P/106E	
		PTFE	FPM	7400.P206P/106V	

Note: Above are listed the most common seal ring / 'O' ring combinations - for other combinations see p.38.

Note: For SR6 seals where inboard and outboard seals are different, then there is an additional "P" in the part number to distinguish between SR6 seals and A7-0550 (AP550) and G7-0550 (GP550) seals

Description	Drg. No.	Qty	SR6/L	
			Part No.	Item No.
Housing, BSPT	13	2	5265.329A	9630028630
Housing, NPT			5265.329B	9630047130
Gasket	11	2	5198.104	9630030911
Screw	-	4	5990.004	9630024589

R90 Double Mechanical Seals (Parts) - SR1-2 Pumps							
Drg No.	Description	Material	Qty	SR1/L		SR2/L	
				Part No	Item No	Part No	Item No
1/12	Stationary Seal Ring 'O' Ring	NBR	4	5380.214	9630028449	5380.222	9630027299
		EPDM		5380.218	9630027782	5380.226	9630028377
		FPM		5380.216	9630028447	5380.224	9630028379
		PTFE		5380.220	9630019763	5380.228	9630028374
2/10	Stationary Seal Ring (inboard or outboard)	Solid Carbon	4	R5630.066	9630026215	R5630.067	9630026164
		Inserted Carbon		R5630.060	9630025257	R5630.061	9630025258
		Tungsten Carbide		R5630.072	9630029728	R5630.073	9630026168
		Silicon Carbide		R5630.078	9630026003	R5630.079	9630044552
3	Rotary Seal Assembly (inboard)	Stainless Steel	2	R7400.121	9630030218	R5610.080	9630025252
		Tungsten Carbide		R7400.131	9630026464	R5610.086	9630026209
		Silicon Carbide		R7400.181	9630027025	R5610.092	9630044551
4/8	Rotary Seal Ring 'O' Ring	NBR	4	5380.213	9630028460	5380.221	9630027301
		EPDM		5380.217	9630028446	5380.225	9630028378
		FPM		5380.215	9630028448	5380.223	9630028380
		PTFE		5380.219	9630028382	5380.227	9630028375
9	Rotary Seal Assembly (outboard)	Stainless Steel	2	R5610.079	9630025251	R7400.122	9630030219
		Tungsten Carbide		R5610.085	9630030106	R7400.132	9630026570
		Silicon Carbide		R5610.091	9630027018	R7400.182	9630027024
<p>Note: SR1 pump - Rotary Seal Assembly (inboard) comprises of rotary seal ring (3), wave spring (5), washer (5A), drive ring (6) and set screw (14). Rotary Seal Assembly (outboard) comprises of rotary seal ring (9), wave spring (7) and washer (7A).</p> <p>SR2 pump - Rotary Seal Assembly (inboard) comprises of rotary seal ring (3), wave spring (5), washer (5A) and drive ring (6). Rotary Seal Assembly (outboard) comprises of rotary seal ring (9), wave spring (7), washer (7A) and set screw (14).</p>							
5/7	Wave Spring		4	R6300.031	9630026769	R6300.032	9630026770
5a/7a	Washer		4	R6400.061	9630045430	R6400.062	9630045431
6	Drive Ring		2	R5620.041	9630064227	R5620.042	9630064228
14	Set Screw		6	6010.013	9630030299	6010.013	9630030299

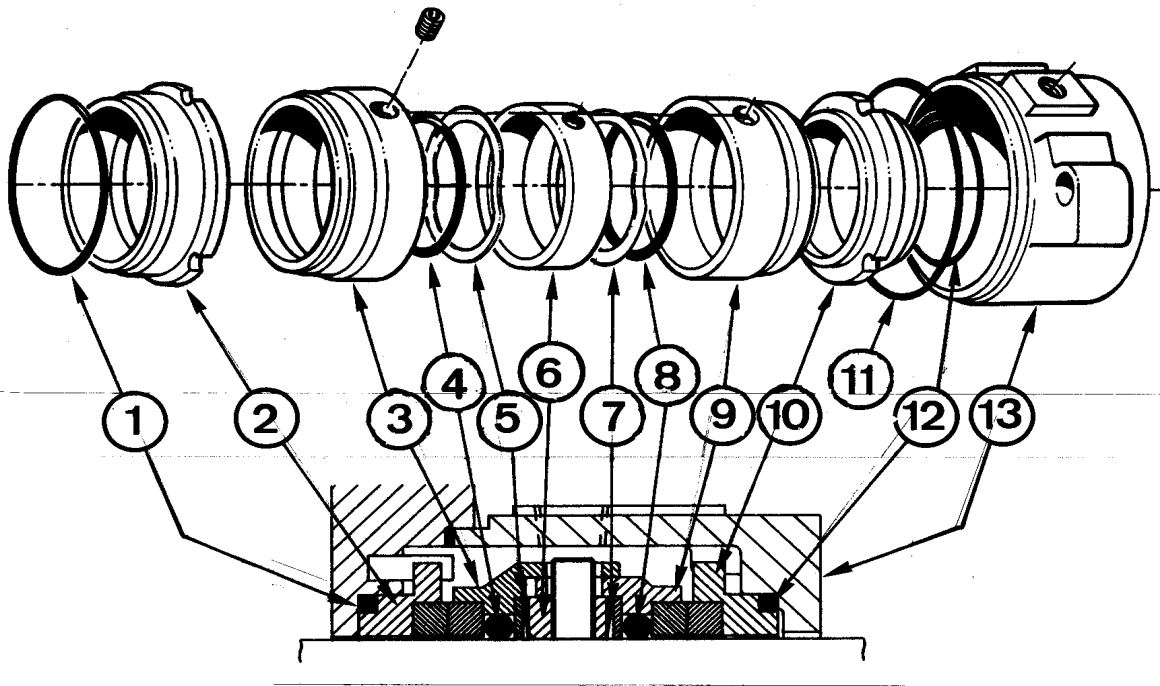
R90 Double Mechanical Seals (Parts) - SR3-4 Pumps

Drg No.	Description	Material	Qty	SR3/L		SR4/L	
				Part No	Item No	Part No	Item No
1/12	Stationary Seal Ring 'O' Ring	NBR	4	5380.230	9630028368	5380.238	9630028260
		EPDM		5380.234	9630028321	5380.242	9630025642
		FPM		5380.232	9630028357	5380.240	9630027472
		PTFE		5380.236	9630028266	5380.244	9630026096
2/10	Stationary Seal Ring (inboard or outboard)	Solid Carbon	4	R5630.068	9630026163	R5630.069	9630017815
		Inserted Carbon		R5630.062	9630026162	R5630.063	9630035092
		Tungsten Carbide		R5630.074	9630017810	R5630.075	9630026167
		Silicon Carbide		R5630.080	9630027021	R5630.081	9630027020
3	Rotary Seal Assembly (inboard)	Stainless Steel	2	R5610.081	9630026160	R5610.082	9630025253
		Tungsten Carbide		R5610.087	9630025255	R5610.088	9630026217
		Silicon Carbide		R5610.093	9630027017	R5610.094	9630027016
4/8	Rotary Seal Ring 'O' Ring	NBR	4	5380.149	9630024280	5380.237	9630028263
		EPDM		5380.093	9630024206	5380.241	9630025646
		FPM		5380.101	9630024214	5380.239	9630021115
		PTFE		5380.123	9630024254	5380.243	9630026094
9	Rotary Seal Assembly (outboard)	Stainless Steel	2	R7400.123	9630026877	R7400.124	9630026882
		Tungsten Carbide		R7400.133	9630026569	R7400.134	9630026585
		Silicon Carbide		R7400.183	9630027023	R7400.184	9630045909
Note: Rotary Seal Assembly (inboard) comprises of rotary seal ring (3), wave spring (5), washer (5A) and drive ring (6). Rotary Seal Assembly (outboard) comprises of rotary seal ring (9), wave spring (7), washer (7A) and set screw (14).							
5/7	Wave Spring		4	R6300.033	9630022957	R6300.034	9630026228
5a/7a	Washer		4	R6400.063	9630045432	R6400.064	9630045433
6	Drive Ring		2	R5620.043	9630064229	R5620.044	9630064230
14	Set Screw		6	6010.013	9630030299	6010.015	9630028475

R90 Double Mechanical Seals (Parts) - SR5-6 Pumps

Drg No.	Description	Material	Qty	SR5/L		SR6/L	
				Part No	Item No	Part No	Item No
1/12	Stationary Seal Ring 'O' Ring	NBR	4	5380.246	9630025417	5380.254	9630027486
		EPDM		5380.250	9630025437	5380.258	9630029893
		FPM		5380.248	9630025398	5380.256	9630029897
		PTFE		5380.252	9630025846	5380.260	9630029885
2/10	Stationary Seal Ring (inboard or outboard)	Solid Carbon	4	R5630.070	9630026196	R5630.071	9630029729
		Inserted Carbon		R5630.064	9630026207	R5630.065	9630026165
		Tungsten Carbide		R5630.076	9630026219	R5630.077	9630026193
		Silicon Carbide		R5630.082	9630044328	R5630.083	9630027019
3	Rotary Seal Assembly (inboard)	Stainless Steel	2	R5610.083	9630026210	R5610.084	9630025254
		Tungsten Carbide		R5610.089	9630025256	R5610.090	9630026166
		Silicon Carbide		R5610.095	9630026651	R5610.096	9630026650
4/8	Rotary Seal Ring 'O' Ring	NBR	4	5380.245	9630026648	5380.253	9630026625
		EPDM		5380.249	9630025314	5380.257	9630029896
		FPM		5380.247	9630025438	5380.255	9630026693
		PTFE		5380.251	9630026704	5380.259	9630029889
9	Rotary Seal Assembly (outboard)	Stainless Steel	2	R7400.125	9630026172	R7400.126	9630026449
		Tungsten Carbide		R7400.135	9630026584	R7400.136	9630022294
		Silicon Carbide		R7400.185	9630027022	R7400.186	9630046520
Note: Rotary Seal Assembly (inboard) comprises of rotary seal ring (3), wave spring (5), washer (5A) and drive ring (6). Rotary Seal Assembly (outboard) comprises of rotary seal ring (9), wave spring (7), washer (7A) and set screw (14).							
5/7	Wave Spring		4	R6300.035	9630026208	-	-
5/7	Coil Spring		24	-	-	R6300.036	9630026227
5a7a	Washer		4	R6400.065	9630045434	R6400.066	9630045435
6	Drive Ring		2	R5620.045	9630064231	R5620.046	9630058823
14	Set Screw		6	6010.014	9630030300	6010.018	9630026071

R90 Double Mechanical Seal - Exploded View Drawing



Packed Gland Seals - Pump Models SR1-2

If a lantern ring is fitted, this replaces 1 packing ring in each seal.

Drg No.	Description	Qty	SR1/S		SR1/L		
			Part No	Item No	Part No	Item No	
1	Shaft Sleeve 'O' Ring	2	NBR	-	-	5380.316	9630034652
			EPDM	-	-	5380.416	9630043405
			FPM	-	-	5380.319	9630034859
			PTFE	-	-	5380.320	9630034860
2	Shaft Sleeve	2	St. Stl.	-	-	6200.220	9630030335
			Hardened	-	-	6200.168	9630034852
3	Spacer	2	-	-	5670.080	9630034857	
4	Gland Packing	8	Polyamide	-	-	5240.061	9630034863
			PTFE	-	-	5240.071	9630034864
5	Lantern Ring (if fitted)	2	-	-	5650.024	9630034869	
6	Gasket	1	-	-	5198.201	9630062179	
7	Housing	2	Unflushed	-	-	5235.014	9630034843
			Flush BSPT	-	-	5235.014AA	9630101726
			Flush NPT	-	-	5335.014BA	9630101727
8	Gland Follower	2	-	-	5230.070	9630033379	
9	Slinger	2	-	-	5665.029	9630034858	
10	Screw	6	-	-	6010.011	9630024658	
	Nut	4	-	-	5330.036	9630058700	
	Stud	4	-	-	6350.115	9630034862	

Drg No.	Description	Qty	SR2/S		SR2/L		
			Part No	Item No	Part No	Item No	
1	Shaft Sleeve 'O' Ring	2	NBR	5380.052	9630024180	5380.052	9630024180
			EPDM	5380.417	9630043406	5380.417	9630043406
			FPM	5380.053	9630024181	5380.053	9630024181
			PTFE	5380.283	9630031603	5380.283	9630031603
2	Shaft Sleeve	2	St. Stl.	6200.157	9630031580	6200.204	9630032656
			Hardened	-	-	6200.169	9630031521
3	Spacer	2	5670.087	9630031578	5670.081	9630031533	
4	Gland Packing	6	Polyamide	5240.062	9630025189	-	-
			PTFE	5240.072	9630021041	-	-
			Polyamide	-	-	5240.062	9630025189
		10	PTFE	-	-	5240.072	9630021041
5	Lantern Ring (if fitted)	2	-	-	5650.019	9630031639	
6	Gasket	2	5198.100	9630031523	5198.100	9630031523	
7	Housing	2	Unflushed	5235.015	9630031574	5235.016	9630031527
			Flush BSPT	-	-	5235.016A	9630031529
			Flush NPT	-	-	5335.016B	9630032351
8	Gland Follower	2	5230.061	9630031568	5230.053	9630031525	
9	Slinger	2	-	-	5665.023	9630031784	
10	Screw	6	6010.019	9630026007	6010.019	9630026007	
	Nut	4	5330.035	9630058699	5330.035	9630058699	
	Stud	4	6350.101	9630028956	6350.103	9630027364	

Packed Gland Seals - Pump Models SR3-4

If a lantern ring is fitted, this replaces 1 packing ring in each seal.

Drg No.	Description	Qty	SR3/S		SR3/L		
			Part No	Item No	Part No	Item No	
1	Shaft Sleeve 'O' Ring	2	NBR	5380.021	9630024120	5380.021	9630024120
			EPDM	5380.415	9630043403	5380.415	9630043403
			FPM	5380.019	9630024118	5380.019	9630024118
			PTFE	5380.284	9630031604	5380.284	9630031604
2	Shaft Sleeve	2	St. Stl.	6200.158	9630031582	6200.212	9630033149
			Hardened	-	-	6200.213	9630033145
3	Spacer	2		5670.082	9630031469	5670.082	9630031469
4	Gland Packing	6	Polyamide	5240.063	9630025390	-	-
			PTFE	5240.073	9630026753	-	-
		10	Polyamide	-	-	5240.063	9630025390
			PTFE	-	-	5240.073	9630026753
5	Lantern Ring (if fitted)	2		-	-	5650.020	9630031640
6	Gasket	2		5198.101	9630021471	5198.101	9630021471
7	Housing	2	Unflushed	5235.017	9630031576	5235.018	9630031463
			Flush BSPT	-	-	5235.018A	9630031465
			Flush NPT	-	-	5335.018B	9630032353
8	Gland Follower	2		5230.062	9630031570	5230.054	9630031467
9	Slinger	2		-	-	5665.024	9630031797
10	Screw	6		6010.019	9630026007	6010.019	9630026007
				5330.035	9630058699	5330.035	9630058699
	Nut	4		6350.102	9630027474	6350.144	9630058750
	Stud	4					

Drg No.	Description	Qty	SR4/S		SR4/L		
			Part No	Item No	Part No	Item No	
1	Shaft Sleeve 'O' Ring	2	NBR	5380.030	9630024129	5380.030	9630024129
			EPDM	5380.410	9630043109	5380.410	9630043109
			FPM	5380.275	9630026743	5380.275	9630026743
			PTFE	5380.285	9630031605	5380.285	9630031605
2	Shaft Sleeve	2	St. Stl.	6200.159	9630033149	6200.239	9630041933
			Hardened	-	-	6200.171	9630031339
3	Spacer	2		5670.083	9630031353	5670.083	9630031353
4	Gland Packing	6	Polyamide	5240.064	9630025439	-	-
			PTFE	5240.074	9630021042	-	-
		10	Polyamide	-	-	5240.064	9630025439
			PTFE	-	-	5240.074	9630021042
5	Lantern Ring (if fitted)	2		-	-	5650.021	9630031641
6	Gasket	2		5198.102	9630031351	5198.102	9630031351
				5235.019	9630031341	5235.020	9630031343
				-	-	5235.020A	9630031345
8	Housing	2		-	-	5335.020B	9630023254
				5230.063	9630031572	-	-
				-	-	5230.080	9630051586
8a	Split Gland Follower	4		-	-	5230.087	9630051619
8b	Split Gland Follower Plate	4		-	-	5990.061	9630040714
8c	Screw, Split Gland Follower	4		-	-	5665.025	9630031798
9	Slinger	2		-	-	6010.019	9630026007
10	Screw	2		6010.019	9630026007	6010.019	9630026007
				5330.033	9630025350	5330.033	9630025350
	Nut	4		6350.105	9630027485	6350.125	9630042574
	Stud	4					

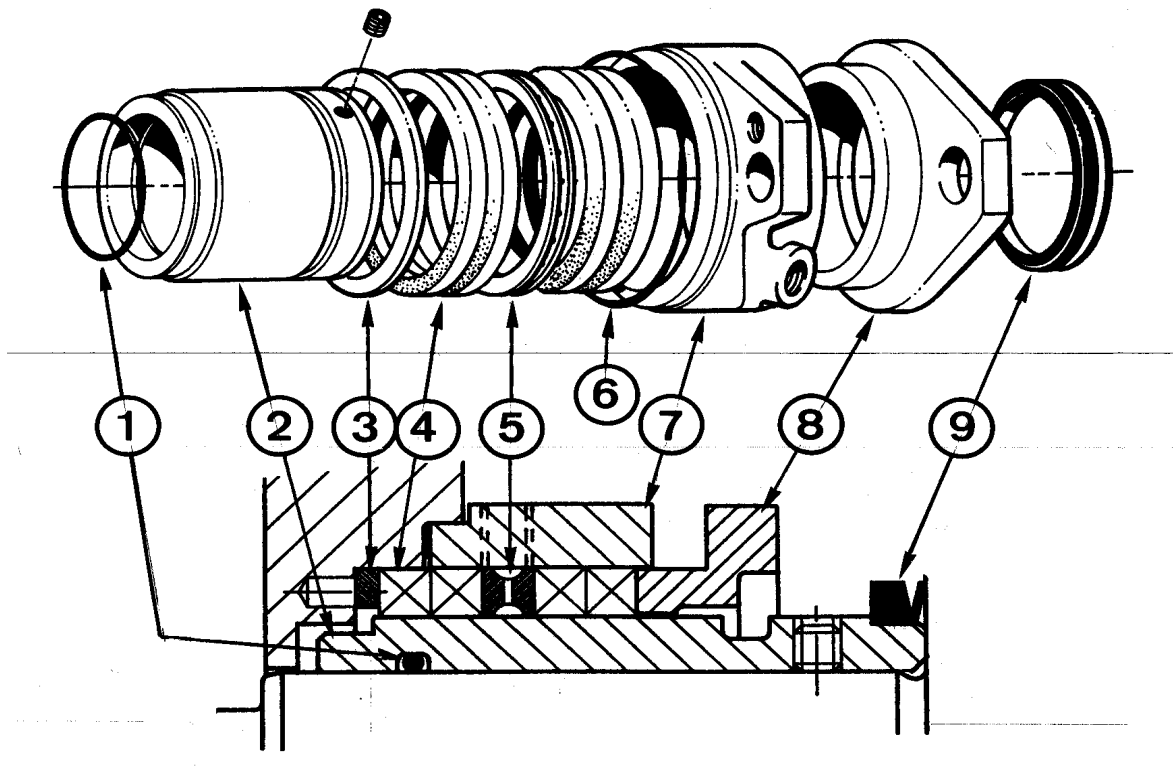
Packed Gland Seals - Pump Models SR5-6

If a lantern ring is fitted, this replaces 1 packing ring in each seal.

Drg No.	Description	Qty	SR5/S		SR5/L		
			Part No	Item No	Part No	Item No	
1	Shaft Sleeve 'O' Ring	2	NBR	5380.076	9630024193	5380.076	9630024193
			EPDM	5380.198	9630025794	5380.198	9630025794
			FPM	5380.077	9630024194	5380.077	9630024194
			PTFE	5380.192	9630024367	5380.192	9630024367
2	Shaft Sleeve	2	St. Stl.	6200.160	9630031079	-	-
			Hardened	-	-	6200.172	9630031081
3	Spacer	2	5670.084	9630031087	5670.084	9630031087	
4	Gland Packing	6	Polyamide	5240.065	9630025915	-	-
			PTFE	5240.075	9630026564	-	-
		10	-	-	5240.065	9630025915	
			-	-	5240.075	9630026564	
5	Lantern Ring (if fitted)	2	-	-	5650.022	9630031642	
6	Gasket	2	5198.103	9630031077	5198.103	9630031077	
7	Housing	2	Unflushed	5235.021	9630031059	5235.022	9630031061
			Flush BSPT	-	-	5235.022A	9630031063
			Flush NPT	-	-	5335.022B	9630032355
8	Gland Follower	2	5230.064	9630031055	-	-	
8a	Split Gland Follower	4	-	-	5230.078	9630051180	
8b	Split Gland Follower Plate	4	-	-	5230.088	9630052140	
8c	Screw, Split Gland Follower	4	-	-	5990.061	9630040714	
9	Slinger	2	5665.026	9630031799	5665.027	9630031800	
10	Screw	6	6010.014	9630030300	6010.014	9630030300	
			Nut	5330.033	9630025350	5330.033	9630025350
	Stud	4	6350.104	9630019863	6350.107	9630028904	

Drg No.	Description	Qty	SR6/S		SR6/L		
			Part No	Item No	Part No	Item No	
1	Shaft Sleeve 'O' Ring	2	NBR	5380.136	9630024267	5380.136	9630024267
			EPDM	5380.134	9630024265	5380.134	9630024265
			FPM	5380.158	9630024289	5380.158	9630024289
			PTFE	5380.165	9630024337	5380.165	9630024337
2	Shaft Sleeve	2	St. Stl.	6200.161	9630030934	-	-
			Hardened	-	-	6200.173	9630030928
3	Spacer	2	5670.085	9630030926	5670.085	9630030926	
4	Gland Packing	6	Polyamide	5240.066	9630021037	-	-
			PTFE	5240.076	9630026406	-	-
		10	-	-	5240.066	9630021037	
			-	-	5240.076	9630026406	
5	Lantern Ring (if fitted)	2	-	-	5650.023	9630031643	
6	Gasket	2	5198.104	9630030911	5198.104	9630030911	
7	Housing	2	Unflushed	5235.023	9630030920	5235.024	9630030918
			Flush BSPT	-	-	5235.024A	9630030936
			Flush NPT	-	-	5335.024B	9630032356
8	Gland Follower	2	5230.065	9630030922	-	-	
8a	Split Gland Follower	4	-	-	5230.082	9630052130	
8b	Split Gland Follower Plate	4	-	-	5230.089	9630052134	
8c	Screw, Split Gland Follower	4	-	-	5990.074	9630051541	
9	Slinger	2	5665.028	9630031801	5665.028	9630031801	
10	Screw	6	6010.014	9630030300	6010.014	9630030300	
			Nut	5330.033	9630025350	5330.033	9630025350
	Stud	4	6350.105	9630027485	6350.108	9630028906	

Packed Gland Seal - Exploded View Drawing



Pressure Relief Valve (Complete) - SR Pump Models

Complete assembly includes rotorcase cover.
For elastomers required: N = NBR, E = EPDM, V = FPM and P = PTFE.

Valve type	SR1		SR2		SR3	
	Part No.	Item No.	Part No.	Item No.	Part No.	Item No.
Std pressure < 12 bar (SR1) < 10 bar (2-3)	4083.001N	9630032548	4083.002N	9630032550	4083.003N	9630032551
	4083.001E	9630047160	4083.002E	9630027296	4083.003E	9630043291
	4083.001V	9630032549	4083.002V	9630033115	4083.003V	9630033119
	4083.001P	9630034307	4083.002P	9630034216	4083.003P	9630034567
High pressure > 12 bar (SR1) > 10 bar (2-3)	4083.001N/HP	9630045539	4083.002N/HP	9630024964	4083.003N/HP	9630048177
	4083.001E/HP	9630047618	4083.002E/HP	9630024957	4083.003E/HP	9630045905
	4083.001V/HP	9630037687	4083.002V/HP	9630045997	4083.003V/HP	9630045609
	4083.001P/HP	9630047617	4083.002P/HP	9630024959	4083.003P/HP	9630048178
Std pressure < 12 bar (SR1) < 10 bar (2-3) with lever lift	4083.101N	9630044546	4083.102N	9630045082	4083.103N	9630046971
	4083.101E	9630091243	4083.102E	9630046972	4083.103E	9630046973
	4083.101V	9630091244	4083.102V	9630059453	4083.103V	9630026838
	4083.101P	9630091245	4083.102P	9630091250	4083.103P	9630091255
High pressure > 12 bar (SR1) > 10 bar (2-3) with lever lift	4083.101N/HP	9630091246	4083.102N/HP	9630091251	4083.103N/HP	9630091256
	4083.101E/HP	9630091247	4083.102E/HP	9630091252	4083.103E/HP	9630091257
	4083.101V/HP	9630091248	4083.102V/HP	9630091253	4083.103V/HP	9630091258
	4083.101P/HP	9630091249	4083.102P/HP	9630091254	4083.103P/HP	9630091259

Valve type	SR4		SR5	
	Part No.	Item No.	Part No.	Item No.
Std pressure < 10 bar	4083.004N	9630032552	4083.005N	9630032553
	4083.004E	9630039307	4083.005E	9630045541
	4083.004V	9630033120	4083.005V	9630033128
	4083.004P	9630034189	4083.005P	9630045590
High pressure > 10 bar	4083.004N/HP	9630033094	4083.005N/HP	9630047693
	4083.004E/HP	9630031450	4083.005E/HP	9630047692
	4083.004V/HP	9630037120	4083.005V/HP	9630029103
	4083.004P/HP	9630030615	4083.005P/HP	9630045543
Std pressure < 10 bar with lever lift	4083.104N	9630091260	4083.105N	9630091265
	4083.104E	9630046974	4083.105E	9630091266
	4083.104V	9630075494	4083.105V	9630047273
	4083.104P	9630042755	4083.105P	9630042284
High pressure > 10 bar with lever lift	4083.104N/HP	9630091261	4083.105N/HP	9630091267
	4083.104E/HP	9630091262	4083.105E/HP	9630091268
	4083.104V/HP	9630091263	4083.105V/HP	9630091269
	4083.104P/HP	9630091264	4083.105P/HP	9630091270

Valve type	SR6 standard		SR6 with lever lift	
	Part No.	Item No.	Part No.	Item No.
< 7 bar	4083.006N	9630032554	4083.106N	9630091272
	4083.006E	9630057151	4083.106E	9630055893
	4083.006V	9630033133	4083.106V	9630054329
	4083.006P	9630042269	4083.106P	9630042271
< 10 bar	4083.006N/ME	9630045542	4083.106N/ME	9630091273
	4083.006E/ME	9630025005	4083.106E/ME	9630091274
	4083.006V/ME	9630046886	4083.106V/ME	9630091275
	4083.006P/ME	9630022269	4083.106P/ME	9630091276
< 15 bar	4083.006N/HP	9630038272	4083.106N/HP	9630091277
	4083.006E/HP	9630058067	4083.106E/HP	9630091278
	4083.006V/HP	9630045807	4083.106V/HP	9630091279
	4083.006P/HP	9630048700	4083.106P/HP	9630091280
< 18 bar	4083.006N/HP1	9630049002	4083.106N/HP1	9630091281
	4083.006E/HP1	9630062101	4083.106E/HP1	9630091282
	4083.006V/HP1	9630036122	4083.106V/HP1	9630091283
	4083.006P/HP1	9630091271	4083.106P/HP1	9630091284

Pressure Relief Valve (Parts) - SR1-5 Pump Models

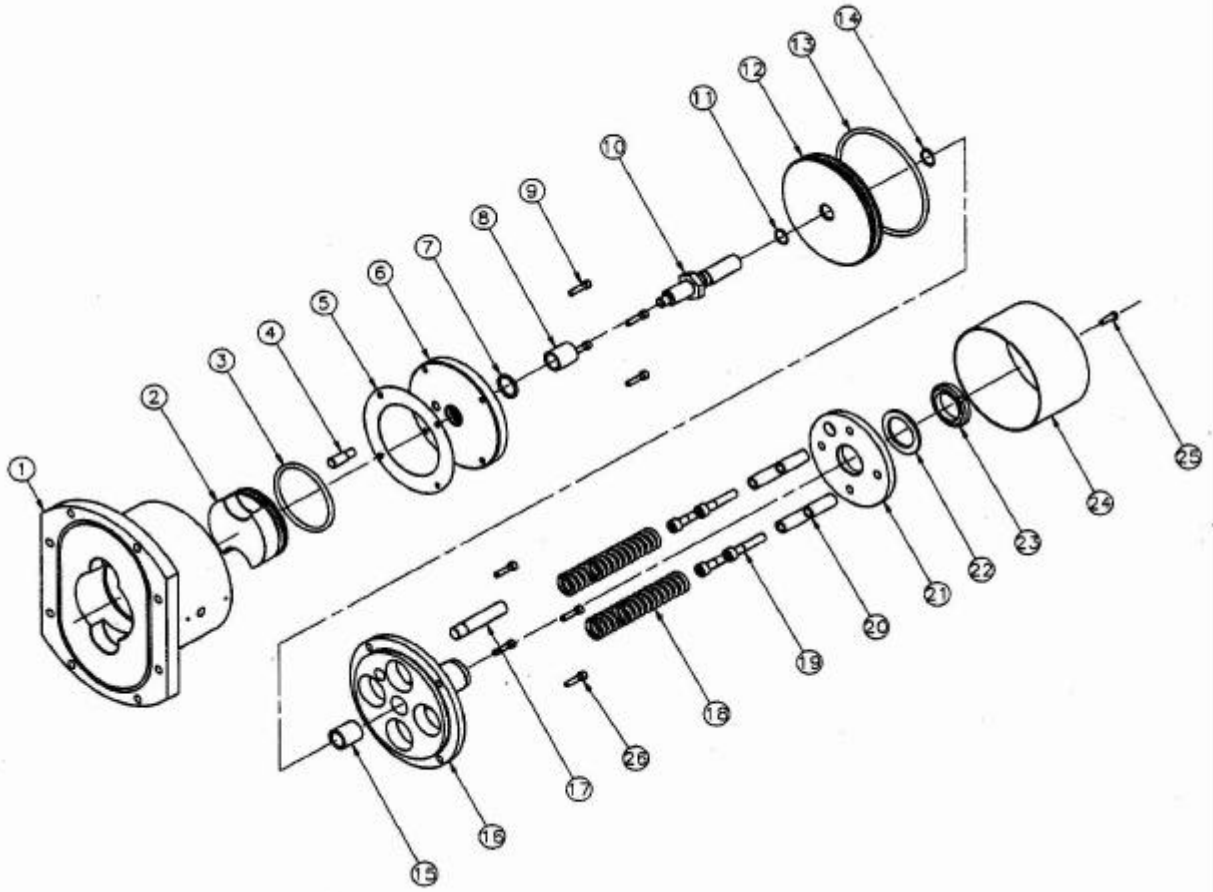
Drg No.	Description	Qty	SR1-3		SR4-5		
			Part No	Item No	Part No	Item No	
1	Rotorcase cover	1	SR1	5131.093	9630026292	-	-
			SR2	5131.094	9630026902	-	-
			SR3	5131.095	9630026356	-	-
			SR4	-	-	5131.096	9630028799
			SR5	-	-	5131.097	9630028797
2	Hydraulic Piston	1	SR1	6130.035	9630047336	-	-
			SR2	6130.036	9630047338	-	-
			SR3	6130.037	9630047340	-	-
			SR4	-	-	6130.038	9630047649
			SR5	-	-	6130.039	9630047651
3	'O' Ring, Hydraulic Piston	1	NBR	5380.030	9630024129	5380.028	9630024127
			EPDM	5380.410	9630043109	5380.411	9630043110
			FPM	5380.275	9630027643	5380.035	9630024131
			PTFE	5380.285	9630031605	5380.303	9630032248
4	Valve Pin		1	5170.027	9630026075	5170.028	9630031806
5	Shim set	St. Stl.	1	6150.323	9630101745	6150.324	9630101746
6	Backstop disc		1	5135.009	9630027707	5135.010	9630031804
7	'O' Ring (NBR), Backstop disc		1	5380.269	9630027508	5380.291	9630031831
8/15	Bush		2	5060.015	9630047342	5060.016	9630047647
9	Screw, Backstop disc		4	5990.011	9630024601	5990.012	9630024603
10	Valve shaft	Standard for lever lift	1	6130.025	9630027738	6130.028	9630031808
				6130.034	9630042536	6130.033	9630042279
11	'O' Ring (NBR), Pneumatic piston		1	5380.267	9630027500	5380.289	9630031829
12	Pneumatic Piston		1	6130.027	9630026981	6130.031	9630031814
13	'O' Ring (NBR), Pneumatic piston		1	5380.268	9630027160	5380.290	9630031830
14	Circlip		1	5090.007	9630027978	5090.008	9630031833
16	Valve Guide	Standard For lever lift	1	5245.002	9630025565	5245.005	9630031816
				5245.014	9630042540	5245.012	9630042273
17	Valve Guide Pin		1	5245.004	9630027546	5245.007	9630031824
18	Spring, compression	< 10 bar > 10 bar	4	6290.017	9630029781	6290.021	9630033372
				6290.023	9630034501	6290.024	9630034502
19	Screw, spring guide		4	5990.046	9630027692	5990.024	9630024621
20	Valve spring guide		4	5245.003	9630027785	5245.006	9630031818
21	Valve spring adjuster		1	5015.009	9630027770	5015.010	9630031820
22	Washer		1	-	-	6400.048	9630035232
23	Nut		1	5340.048	9630027975	5340.049	9630031834
24	Valve housing	Standard For lever lift	1	5267.023	9630027977	5267.024	9630031822
				5267.026	9630042538	5267.025	9630042277
25	Screw, valve housing	Standard For lever lift	1	5985.001	9630027694	5985.001	9630027694
				6000.009	9630045083	6000.001	9630024638
26	Screw, spring adjuster		4	5990.046	9630027692	5990.050	9630032120
-	Thrust washer		1	6400.055	9630042424	6400.055	9630042424
-	Nut	Lever lift only	1	5330.033	9630025350	5330.033	9630025350
-	Thrust washer adaptor		1	6400.054	9630042423	6400.054	9630042423
-	Lever sub-assembly		1	4083.023	9630045081	4083.022	9630042457

Pressure Relief Valve (Parts) - SR6 Pump Models					
Drg No.	Description	Qty	SR6		
			Part No	Item No	
1	Rotorcase cover	1	5131.098		
2	Hydraulic Piston	1	6130.030		
3	'O' Ring, Hydraulic Piston	1	NBR	5380.288	9630028374
			EPDM	5380.412	9630043111
			FPM	5380.301	9630032246
			PTFE	5380.302	9630032247
4	Valve Pin	1	5170.028	9630031806	
5	Shim set	1	-	-	
6	Backstop disc	1	5135.010	9630031804	
7	'O' Ring (NBR), Backstop disc	1	5380.291	9630031831	
8/15	Bush	2	5060.011	9630031823	
9	Screw, Backstop disc	4	5990.012	9630024603	
10	Valve shaft	1	Standard	6130.028	9630031808
			For lever lift	6130.033	9630042279
11	'O' Ring (NBR), Pneumatic piston	1	5380.289	9630031829	
12	Pneumatic Piston	1	6130.032	9630034718	
13	'O' Ring (NBR), Pneumatic piston	1	5380.290	9630031830	
14	Circlip	1	5090.008	9630031833	
16	Valve Guide	1	Standard	5245.009	9630034714
			For lever lift	5245.013	9630042275
17	Valve Guide Pin	1	5245.007	9630031824	
18	Spring, disc	144	< 7 bar	6280.002	9630034726
			< 10 bar		
			< 15 bar		
			< 18 bar		
19	Nut, spring guide	4	5330.029	9630034725	
20	Valve spring guide	4	5245.010	9630034716	
21	Valve spring adjuster	1	5015.011	9630034712	
22	Washer	12	6400.047	9630034727	
23	Nut	1	5340.054	9630053244	
24	Valve housing	1	Standard	5267.024	9630031822
			For lever lift	5267.025	9630042277
25	Screw, valve housing	1	Standard	5985.001	9630027694
			For lever lift	6000.001	9630024638
25a	Washer, valve housing screw	1	6400.046	9630030121	
26	Screw, spring adjuster	8	5990.050	9630032120	
	Thrust washer	1	6400.055	9630042424	
	Nut	1	5330.033	9630025350	
	Thrust washer adaptor	1	6400.054	9630042423	
	Lever sub-assembly	1	4083.022	9630042457	

Note: For SR6 Items 1 and 2 are only available as spare parts as part of complete assembly.

SR6 Relief Valve Spring Arrangements				
	< 7 bar	< 10 bar	< 15 bar	< 18 bar
Springs arranged:	() () () ()	(()) (()) (()) (())	((()) ((()) ((()) ((())	((()) ((()) ((()) ((())
1 stack =	() 2 springs 18 stacks/set	(()) 4 springs 12 stacks/set	((()) 6 springs 9 stacks/set	((()) 6 springs 10 stacks/set
Qty sets each valve:	4	4	4	4
Total qty springs:	144	192	216	240

Pressure Relief Valve - Exploded View Drawing



Rotorcase Cover Jackets - SR Pump Models				
Pump Model	Description	Qty	Part No.	Item No.
SR1	Rotorcase cover drilled for jacket	1	5130.331	9630027764
	Jacket	1	5268.025	9630031941
	Screw	4	5990.012	9630024603
SR2	Rotorcase cover drilled for jacket	1	5130.332	9630027767
	Jacket	1	5268.026	9630031943
	Screw	4	5990.012	9630024603
SR3	Rotorcase cover drilled for jacket	1	5130.333	9630027766
	Jacket	1	5268.027	9630031945
	Screw	4	5990.012	9630024603
SR4	Rotorcase cover drilled for jacket	1	5130.334	9630030268
	Jacket	1	5268.028	9630031947
	Screw	4	5990.050	9630032120
SR5	Rotorcase cover drilled for jacket	1	5130.335	9630027765
	Jacket	1	5268.029	9630031949
	Screw	4	5990.050	9630032120
SR6	Rotorcase cover drilled for jacket	1	5130.336	9630027763
	Jacket	1	5268.030	9630031951
	Screw	4	5990.048	9630031826

Rotorcase Saddles - SR and NMOG Pump Models				
Pump Model	Description	Qty	Part No.	Item No.
SR1	Rotorcase drilled for saddle	1	See Pages 22-23	
	Saddle	2	5268.031	9630032345
	Screw	4	5990.043	9630018807
SR2	Rotorcase drilled for saddle	1	See Pages 22-23	
	Saddle	2	5268.032	9630032347
	Screw	4	5990.012	9630024603
SR3	Rotorcase drilled for saddle	1	See Pages 22-23	
	Saddle	2	5268.033	9630031953
	Screw	4	5990.009	9630024598
SR4	Rotorcase drilled for saddle	1	See Pages 22-23	
	Saddle	2	5268.034	9630031955
	Screw	4	5990.048	9630031826
SR5	Rotorcase drilled for saddle	1	See Pages 22-23	
	Saddle	2	5268.035	9630031957
	Screw	4	5990.010	9630024599
SR6	Rotorcase drilled for saddle	1	See Pages 22-23	
	Saddle	2	5268.036	9630031959
	Screw	4	5990.010	9630024599

Miscellaneous Items				
Description	Qty	SR1-6		
		Part No.	Item No.	
Plug, Seal Housing	4	1/8" BSPT	5470.000	9630024415
		1/8" NPT	5470.006	9630024422
		1/4" BSPT	5470.001	9630024417
		1/4" NPT	5470.004	9630024419
<p><u>The following housings have 1/8" connections</u> R90 Flush and Double sizes SR1-2 Packed Gland sizes SR1-4</p> <p><u>The following housings have 1/4" connections</u> R90 Flush and Double sizes SR4-6 Packed Gland sizes SR5-6</p>				

Grease filled gearboxes in gearcases drilled for oil.

If Gearcase is drilled for Oil and supplied for Grease then the same fixings are required as for Oil, EXCEPT that Unvented Filler Plug 31495.0052.1 is used instead of 31491.0052.1 and 5480.001

Revision History - SR Pump Range				
Issue	Ref	Date	Description	
SR		1987	SR introduced to replace AP sizes 75 to 503.	
		1988	SR1/LD gearbox option introduced	
		1990	R90 mechanical seal replaces T87.	
		1990	The R90 is able to replace the T87 as a complete assembly.	
		1990	Stainless Steel Bilobe Rotors introduced on sizes SR2-SR6	
	CH	1992	SR2 Drg no. 7 drive end lip seal NBR revised from part number 5310.009 item 9630023992 to part number 5310.101 item 9630040403.	
			Gland guards introduced	
	CH	1993	SR4 and SR5 drg item no. 10 rotorcase/cover retention stud revised from part number 6350.095 item 9630027490 to part number 6350.104 item 9630019863.	
	CH		SR4-6 drg item no. 15 seal retainer screw (long) revised from part number 5990.049 item 9630018227 to part number 5990.017 item 9630024611.	
			R90 Single Flush and Double seal housing style revised.	
	CH	1993	SR4 (long gearbox) packed gland stud revised from item 6350.106 to item 6350.125	
	CH4576	16/10/1993	Jacket and Saddle gaskets deleted.	
	CH4834	30/06/1994	Shim retainers introduced SR1-SR6	
CH4831	06/10/1994	Split gland followers introduced for SR4, SR5, and SR6		
SR/3A			SR/3A introduced to replace SR pump range and made available in both horizontally ported and vertically ported versions.	
	CH4932	June 1995	SR/3A pump models feature the revised 'O' ring grooves in front covers, rotors, and rotor nuts of the NMOG pump models. The original SR rotors, rotor nuts and rotorcase covers are no longer available as spare parts. The equivalent SR/3A items are supplied as an upgrade and the appropriate 'O' rings must be supplied. The SR (non 3A) 'O' rings are still available for fitting to pumps that have not yet been upgraded. For further details see Pump Change Bulletin CH4932.	
	CH5093	21/02/1996	Packed gland arrangements revised to include "Binx" nuts. SR1 and NMOG 322/332 item 5330.036 instead of 5330.000 SR2-3 and NMOG 422/432-522/532 item 5330.035 instead of 5330.003 SR4-6 and NMOG 622/632-822/832 item 5330.033 instead of 5330.000.	
	CH5151	02/08/1996	SR4 R90 Flushed seal arrangement changed to include item 5990.078 screw instead of stud 6350.104 and nut 5330.000.	
	CH5190	24/09/1996	SR6 2xR90 seal arrangement changed to include item 5990.004 screw instead of stud 6350.104 and nut 5330.000.	
	CH5234	30/01/1997	SR1 seal housing gasket 5198.099 replaced by item 5198.201	
	CH5319	01/10/1997	R90 Flush lip seals revised to fully enclosed FPM with stainless steel spring.	
	CH5319	01/10/1997	SR5 Drg item no. 16 NBR lip seal (short gearbox) part number revised from 5310.042 to 5310.126.	
	CH5793	01/03/2001	Shim retainers standardised to one item per pump size that is suitable to fit both the SRU and for spares requirements on discontinued SR/3A and NMOG ranges.	
	CH5795	01/03/2001	Timing gears revised to hardened as standard.	
	CH5825 CH5826	01/03/2001	Bilobe rotors revised to have the master spline at 45 deg which allows both rotors in the pump to be identical instead of 'handed'.	
	2	0211	01/11/2002	NEW MANUAL
	2.01	CH10576	25/09/2002	SR5 and SR6 pump Drg. No. 5 gearcase cover for grease and oil filled gearbox revised.