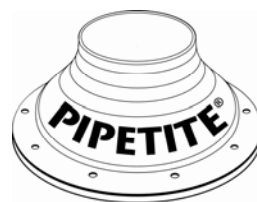


# PIPETITE® RE BOOT



## Matrix Process Solutions

ABN 28 097 144 897

ACN 097 144 897

### VICTORIA:

Unit 1/25 Kilpa Rd,

Moorabbin 3189

Ph: (03) 9553 0928

Fax: (03) 9553 0987

### SOUTH AUSTRALIA:

Unit 8/36 Birralee Rd,

Regency Park 5010

Ph: (08) 8244 1322

Fax: (08) 8244 1722

### QUEENSLAND:

Unit 7/33 Meakin Rd,

Meadowbrook 4131

Ph: (07) 3200 3433

Fax: (07) 3200 2477

## APPLICATION:

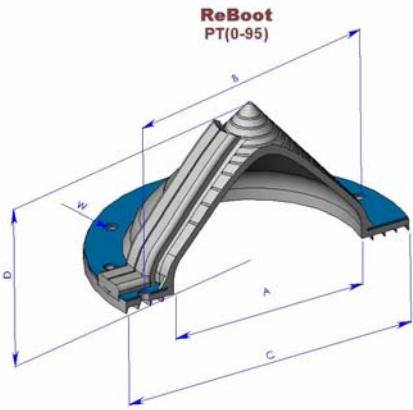
ReBoot is the latest in sealing technology for use on existing wall and ceiling penetrations. Pipetite ReBoot can seal an existing penetration while allowing significant movement of the pipe. Pre-drilled holes make installation simple, and three sizes are available

## WORKING PRINCIPLE:

Pipetite's base incorporates self-sealing lips that provide flexibility and eliminate the need to "pack" the product off the wall. Silicone is not required during installation. Pipetite can be adapted to fit most pipe or tube diameters and allows the pipe to move significantly without causing damage or breaking the seal between the wall and the pipe.

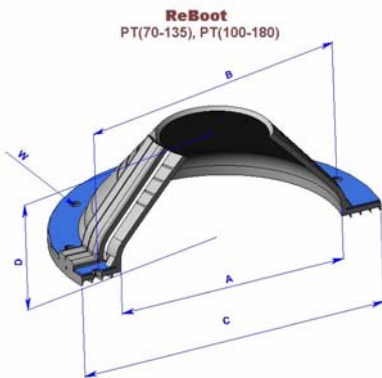
## STANDARD DESIGN:

- Available in three sizes to suit upto 180mm tube or pipe
- Hygienic white silicon & 316 stainless steel
- Total self-sealing - no sealant required
- Split design fits easily around existing pipe
- Seal is flexible to accommodate movement
- No cracking of silicon
- 260°C temperature rating.
- No clean-up after installation
- Materials compatible with cleaning solution
- Pre-drilled for quick and easy installation



**Dimensions**

Part #	Size	A	B	C	D
		mm	mm	mm	mm
317121	0-95	100	128	147	78



**Dimensions**

Part #	Size	A	B	C	D
		mm	mm	mm	mm
317122	70-135	140	168	187	64
317123	100-180	180	213	237	84

