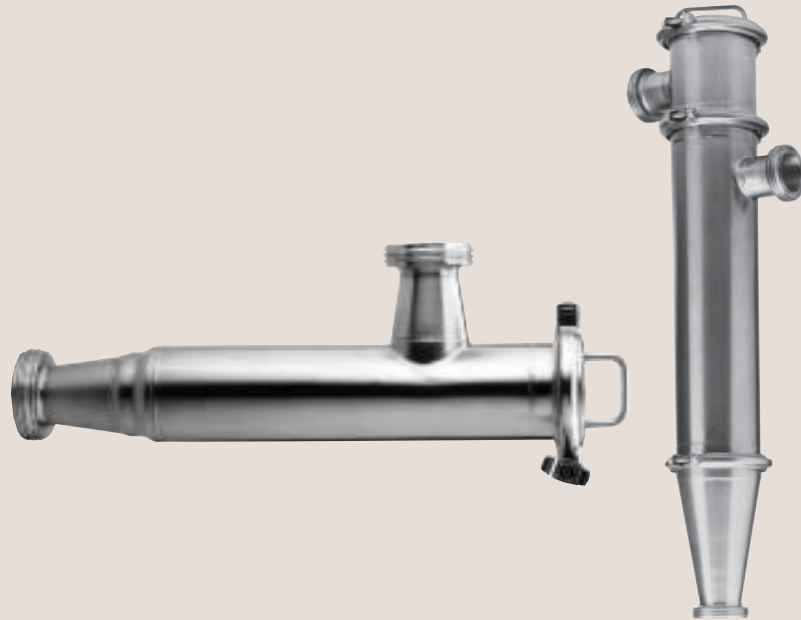




Spare Parts

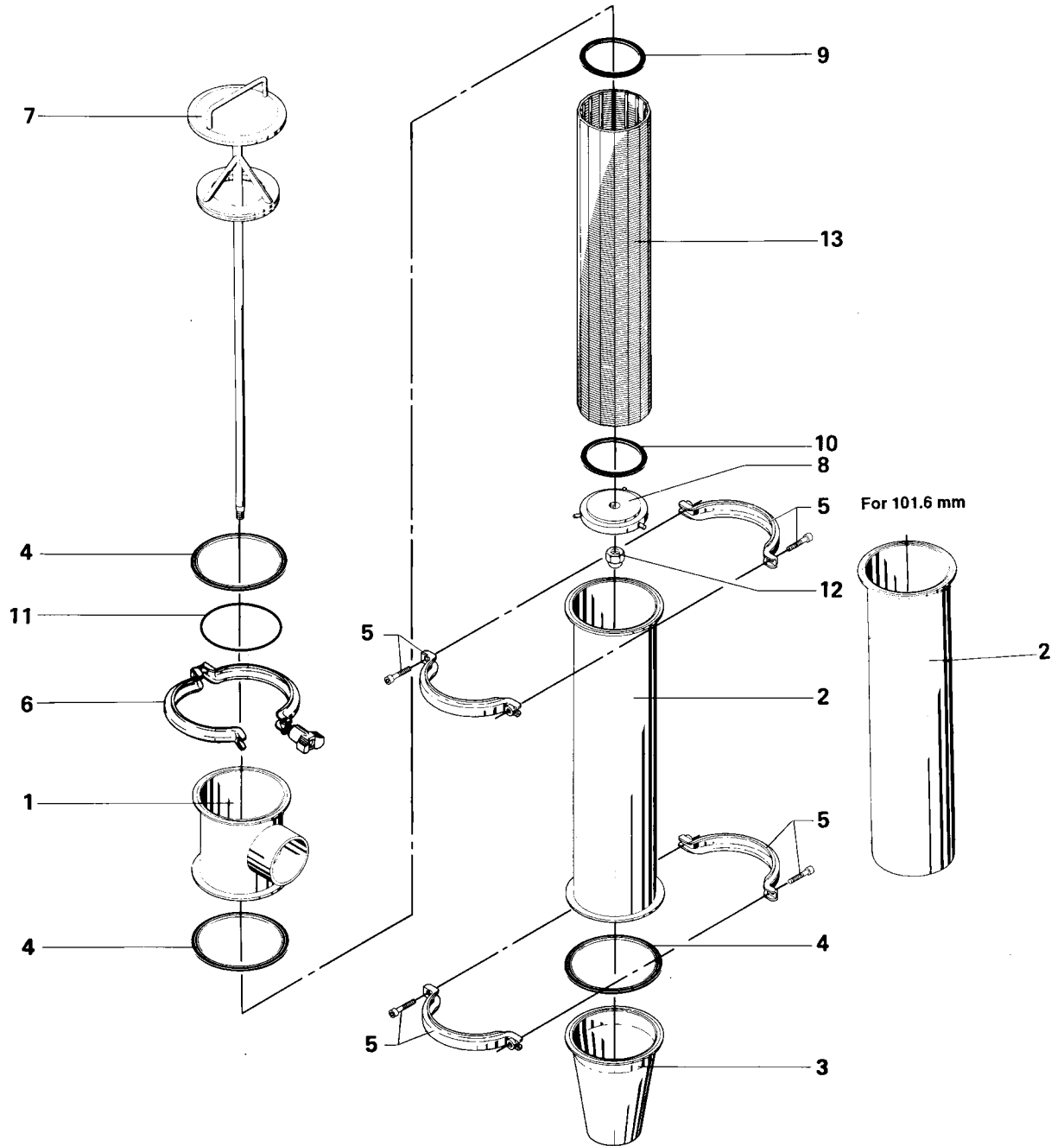
Strainers



SP70864-GB1 2002-11

Slot Strainer Type LKSF-BL

2



Slot Strainer Type LKSF-BL

Pos.	Qty.	Denomination	25 mm	38 mm	51 mm	63.5 mm	76 mm	101.6 mm
1	1	Upper part	9611-71-309-4	9611-71-309-3	9611-71-309-2	9611-71-309-1	9611-71-309-0	9612-0370-01
2	1	Strainer casing	9611-71-303-0	9611-71-303-0	9611-71-303-0	9611-71-303-0	9611-71-303-0	9612-0368-01
3	1	Lower part	9611-71-315-0	9611-71-314-0	9611-71-313-0	9611-71-312-0	9611-71-311-0	
4Δ	3	Seal ring EPDM	9611-99-1363	9611-99-1363	9611-99-1363	9611-99-1363	9611-99-1363	
	2	Seal ring EPDM						9611-99-1363
	3	Seal ring NBR	9611-99-0770	9611-99-0770	9611-99-0770	9611-99-0770	9611-99-0770	
	2	Seal ring NBR						9611-99-0770
	3	Seal ring FPM	9611-99-1895	9611-99-1895	9611-99-1895	9611-99-1895	9611-99-1895	
	2	Seal ring FPM						9611-99-1895
5	2	Clamp ring and screws	9611-31-1055	9611-31-1055	9611-31-1055	9611-31-1055	9611-31-1055	
	1	Clamp ring and screws						9611-31-1055
6	1	Clamp ring	9611-99-1512	9611-99-1512	9611-99-1512	9611-99-1512	9611-99-1512	9611-99-1512
7	1	Bolt complete with cover	9611-71-330-0	9611-71-330-0	9611-71-330-0	9611-71-330-0	9611-71-330-0	9612-0372-01
8	1	Bottom	9611-71-328-0	9611-71-328-0	9611-71-328-0	9611-71-328-0	9611-71-328-0	9611-71-328-0
9Δ	1	Gasket EPDM	9611-71-329-0	9611-71-329-0	9611-71-329-0	9611-71-329-0	9611-71-329-0	9611-71-329-0
	1	Gasket NBR	9611-71-329-2	9611-71-329-2	9611-71-329-2	9611-71-329-2	9611-71-329-2	9611-71-329-2
	1	Gasket FPM	9611-71-329-4	9611-71-329-4	9611-71-329-4	9611-71-329-4	9611-71-329-4	9611-71-329-4
10Δ	1	Gasket EPDM	9611-71-329-1	9611-71-329-1	9611-71-329-1	9611-71-329-1	9611-71-329-1	9611-71-329-1
	1	Gasket NBR	9611-71-329-3	9611-71-329-3	9611-71-329-3	9611-71-329-3	9611-71-329-3	9611-71-329-3
	1	Gasket FPM	9611-71-329-5	9611-71-329-5	9611-71-329-5	9611-71-329-5	9611-71-329-5	9611-71-329-5
11Δ	1	O-ring EPDM	9611-99-1135	9611-99-1135	9611-99-1135	9611-99-1135	9611-99-1135	9611-99-1135
	1	O-ring NBR	9611-99-0579	9611-99-0579	9611-99-0579	9611-99-0579	9611-99-0579	9611-99-0579
	1	O-ring FPM	9611-99-3156	9611-99-3156	9611-99-3156	9611-99-3156	9611-99-3156	9611-99-3156
12	1	Nut	9611-99-1696	9611-99-1696	9611-99-1696	9611-99-1696	9611-99-1696	9611-99-1696
Δ		Service kit EPDM .	9611-92-5014	9611-92-5014	9611-92-5014	9611-92-5014	9611-92-5014	9611-92-5015
		Service kit NBR	9611-92-5016	9611-92-5016	9611-92-5016	9611-92-5016	9611-92-5016	9611-92-5018
		Service kit FPM	9611-92-5017	9611-92-5017	9611-92-5017	9611-92-5017	9611-92-5017	9611-92-5019

Parts marked with Δ are included in the **Service kit**.

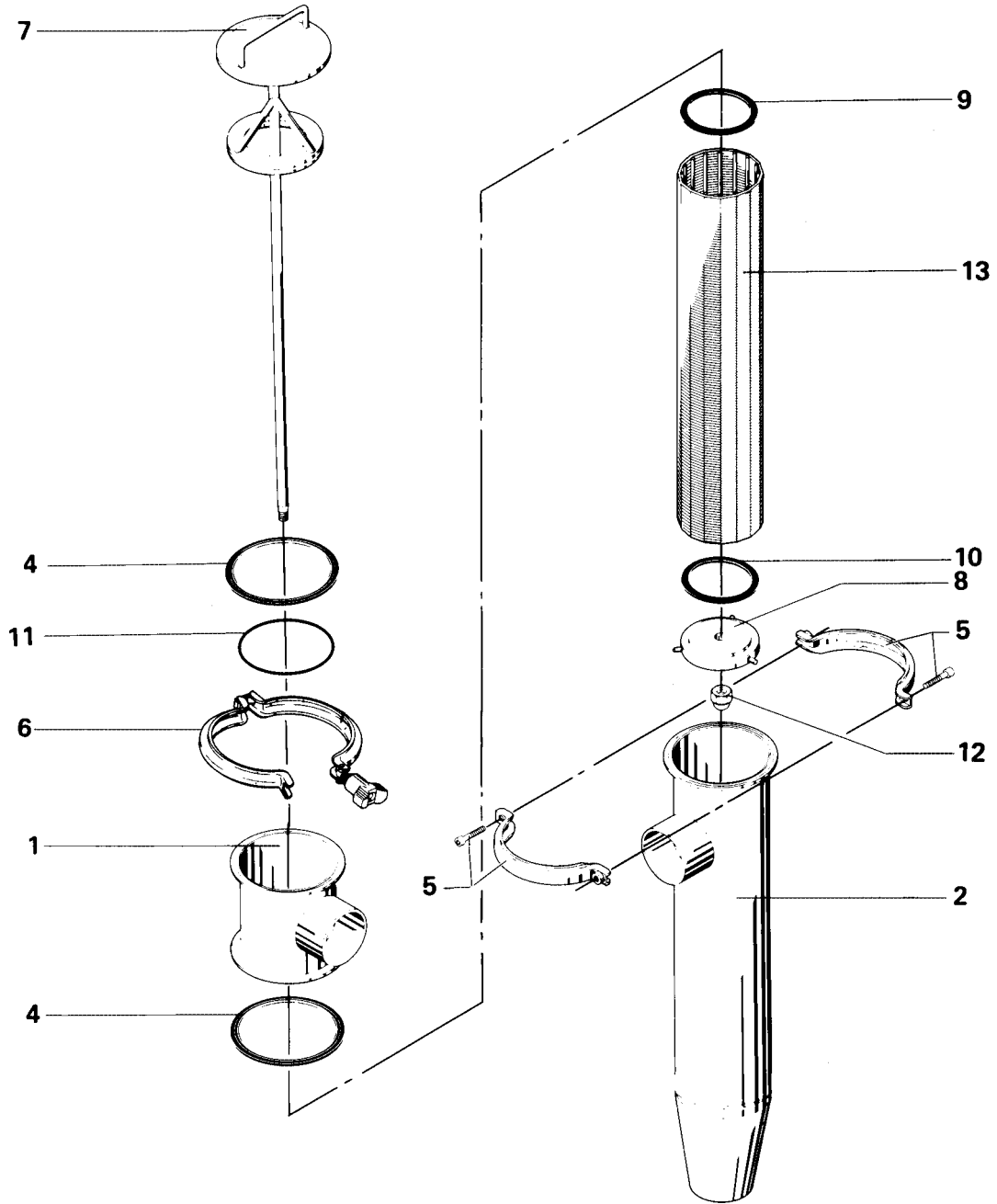
Pos. Qty. Denomination

13	1	Strainer element:	
		53 μ	9612-0376-04
		63 μ	9612-0376-05
		74 μ	9612-0376-06
		88 μ	9612-0376-07
		105 μ	9612-0376-08
		125 μ	9612-0376-09
		149 μ	9612-0376-10
		177 μ	9612-0376-11
		210 μ	9612-0376-12
		250 μ	9612-0376-13
		297 μ	9612-0376-14
		354 μ	9612-0376-15
		420 μ	9612-0376-16
		500 μ	9612-0376-17
		595 μ	9612-0376-18
		707 μ	9612-0376-19
		841 μ	9612-0376-20
		1000 μ	9612-0376-21
		1190 μ	9612-0376-22
		1410 μ	9612-0376-23
		1680 μ	9612-0376-24
		2000 μ	9612-0376-25
		2380 μ	9612-0376-26
		2830 μ	9612-0376-27
		3360 μ	9612-0376-28
		4000 μ	9612-0376-29

Recommended spare parts: **Service kit**

Slot Strainer Type LKSF-CL

4



Slot Strainer Type LKSF-CL

Pos.	Qty.	Denomination	25 mm	38 mm	51 mm	63.5 mm	76 mm	101.6 mm
1	1	Upper part	9611-71-309-4	9611-71-309-3	9611-71-309-2	9611-71-309-1	9611-71-309-0	9612-0370-01
2	1	Strainer casing	9611-71-304-4	9611-71-304-3	9611-71-304-2	9611-71-304-1	9611-71-304-0	9612-0369-01
4Δ	2	Seal ring EPDM	9611-99-1363	9611-99-1363	9611-99-1363	9611-99-1363	9611-99-1363	9611-99-1363
	2	Seal ring NBR	9611-99-0770	9611-99-0770	9611-99-0770	9611-99-0770	9611-99-0770	9611-99-0770
	2	Seal ring FPM	9611-99-1895	9611-99-1895	9611-99-1895	9611-99-1895	9611-99-1895	9611-99-1895
5	1	Clamp ring and screws	9611-31-105-5	9611-31-105-5	9611-31-105-5	9611-31-105-5	9611-31-105-5	9611-31-1055
6	1	Clamp ring	9611-99-1512	9611-99-1512	9611-99-1512	9611-99-1512	9611-99-1512	9611-99-1512
7	1	Bolt complete with cover	9611-71-330-0	9611-71-330-0	9611-71-330-0	9611-71-330-0	9611-71-330-0	9612-0372-01
8	1	Bottom	9611-71-328-0	9611-71-328-0	9611-71-328-0	9611-71-328-0	9611-71-328-0	9611-71-328-0
9Δ	1	Gasket EPDM	9611-71-329-0	9611-71-329-0	9611-71-329-0	9611-71-329-0	9611-71-329-0	9611-71-329-0
	1	Gasket NBR	9611-71-329-2	9611-71-329-2	9611-71-329-2	9611-71-329-2	9611-71-329-2	9611-71-329-2
	1	Gasket FPM	9611-71-329-4	9611-71-329-4	9611-71-329-4	9611-71-329-4	9611-71-329-4	9611-71-329-4
10Δ	1	Gasket EPDM	9611-71-329-1	9611-71-329-1	9611-71-329-1	9611-71-329-1	9611-71-329-1	9611-71-329-1
	1	Gasket NBR	9611-71-329-3	9611-71-329-3	9611-71-329-3	9611-71-329-3	9611-71-329-3	9611-71-329-3
	1	Gasket FPM	9611-71-329-5	9611-71-329-5	9611-71-329-5	9611-71-329-5	9611-71-329-5	9611-71-329-5
11Δ	1	O-ring EPDM	9611-99-1135	9611-99-1135	9611-99-1135	9611-99-1135	9611-99-1135	9611-99-1135
	1	O-ring NBR	9611-99-0579	9611-99-0579	9611-99-0579	9611-99-0579	9611-99-0579	9611-99-0579
	1	O-ring FPM	9611-99-3156	9611-99-3156	9611-99-3156	9611-99-3156	9611-99-3156	9611-99-3156
12	1	Nut	9611-99-1696	9611-99-1696	9611-99-1696	9611-99-1696	9611-99-1696	9611-99-1696
Δ		Service kit	9611-92-5015	9611-92-5015	9611-92-5015	9611-92-5015	9611-92-5015	9611-92-5015
		Service kit NBR ...	9611-92-5018	9611-92-5018	9611-92-5018	9611-92-5018	9611-92-5018	9611-92-5018
		Service kit FPM ...	9611-92-5019	9611-92-5019	9611-92-5019	9611-92-5019	9611-92-5019	9611-92-5019

Parts marked with Δ are included in the **Service kit**.

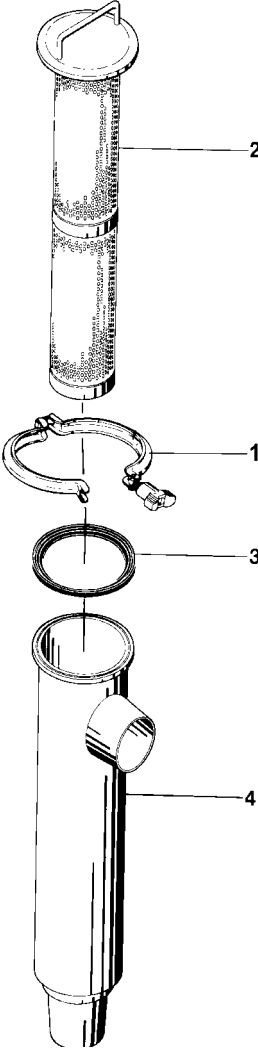
Pos. Qty. Denomination

13	1	Strainer element:						
		53 μ	9612-0376-04					
		63 μ	9612-0376-05					
		74 μ	9612-0376-06					
		88 μ	9612-0376-07					
		105 μ	9612-0376-08					
		125 μ	9612-0376-09					
		149 μ	9612-0376-10					
		177 μ	9612-0376-11					
		210 μ	9612-0376-12					
		250 μ	9612-0376-13					
		297 μ	9612-0376-14					
		354 μ	9612-0376-15					
		420 μ	9612-0376-16					
		500 μ	9612-0376-17					
		595 μ	9612-0376-18					
		707 μ	9612-0376-19					
		841 μ	9612-0376-20					
		1000 μ	9612-0376-21					
		1190 μ	9612-0376-22					
		1410 μ	9612-0376-23					
		1680 μ	9612-0376-24					
		2000 μ	9612-0376-25					
		2380 μ	9612-0376-26					
		2830 μ	9612-0376-27					
		3360 μ	9612-0376-28					
		4000 μ	9612-0376-29					

Recommended spare parts: **Service kit**

**Coarse Strainer
Type LKVF**

6



Coarse Strainer Type LKVF

Pos.	Qty.	Denomination	25 mm	38 mm	51 mm	63.5 mm	76 mm
1	1	Clampring	9611-99-1510	9611-99-1510	9611-99-1510	9611-99-1512	9611-99-1512
2	1	Strainer element * \varnothing 1.0..	9612-1906-01	9612-1906-01	9612-1906-01	9612-1914-01	9612-1914-01
	1	Strainer element * \varnothing 2.0..	9612-1906-03	9612-1906-03	9612-1906-03	9612-1914-03	9612-1914-03
	1	Strainer element * \varnothing 3.0..	9612-1906-05	9612-1906-05	9612-1906-05	9612-1914-05	9612-1914-05
3	1	Seal ring EPDM	9611-99-1361	9611-99-1361	9611-99-1361	9611-99-1363	9611-99-1363
	1	Seal ring NBR	9611-99-0768	9611-99-0768	9611-99-0768	9611-99-0770	9611-99-0770
	1	Seal ring PTFE	9611-99-1406	9611-99-1406	9611-99-1406	9611-99-1408	9611-99-1408
4	1	Strainer casing	9612-4218-01	9612-4218-02	9612-4218-03	9612-4218-04	9612-4218-05

How to contact Alfa Laval
Contact details for all countries are
continually updated on our website.
Please visit www.alfalaval.com to
access the information direct.