



# Keep an Eye on your Product

## LKFL In-line Sight Glass

PD 65339 GB3 2003-03

### Application

The LKFL is a sanitary and rigid designed in-line sight glass in acid-resistant steel. It is for use in the food, beverage, pharmaceutical and other industries where observation of a product in a pipeline is required. It is available with or without light.

### Standard design

LKFL consists of a tube onto which two screwed connections for the glasses are welded. The screwed connections are placed opposite each other, in this way positioning the glasses very close to the internal wall of the tube which facilitates cleaning. The rigid glasses are internally sealed with EPDM rubber seals and from the outside pressed against the seal by a nut via a spacer. The 1 1/2" and 2" sizes have the sockets welded to a body piece with bigger wall thickness.

The halogen light source is fitted on one of the sockets and fastened with the nut. It consists of two stainless steel tubes assembled with a clamp. In the same joint the socket and shade for the bulb are fixed. The outer tube ends with a cable socket.

### Materials

Product wetted parts:	Acid-resistant steel AISI 316L.
Other steel parts:	Stainless steel AISI 304.
Glass:	Borosilicate glass.
Seals:	EPDM rubber.
Finish:	Semi bright.

### Sizes

38 mm (1 1/2"), 51 mm (2"), 63.5 mm (2 1/2"), 76.1 mm (3") and 101.6 mm (4").

### Connections

Type LKFL sight glass is available with welding ends or with male parts according to optional standards, e.g. ISO, DS, SMS, DIN, BS, or with clamp liners.



LKFL, in-line sight glass with halogen light.

### Technical data

Max. product pressure:	2000 kPa (20 bar)
Min. product pressure:	Full vacuum.
Max. pressure shock:	3000 kPa (30 bar).
Temperature range:	-10°C to +140°C. (EPDM).
Max. thermal shock:	D t 120°C (140°C P 20°C).
Bulb, halogen:	24 V DC, 24 Watt, G4.
Bulb socket standard:	G4, max. 35 V DC.
Cable:	Max. OD 10.5 mm.
Reflector:	OD 50 mm.

## Dimensions (mm)

Size	1½"	2"	2½"	3"	4"
A <sub>1</sub>	103	152	152	205	205
B	50	66	64	73	91
C	179	194	191	199	244
ID	20	34	34	44	60
Weight (kg) without light	0.8	1.9	1.2	1.7	3.3
With light	1.3	2.5	1.8	2.3	3.9

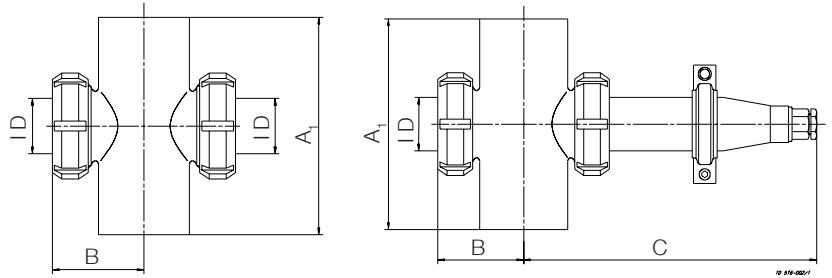


Fig. 3. Dimensions, A<sub>1</sub>

## Overall length A<sub>2</sub> (mm)

Size	1½"	2"	2½"	3"	4"
SMS	142	192	200	252	274
DS	142	192	200	252	252
ISO clamp	128	177	177	229	236
IDF for ISO tube	145	195	195	247	247
IDF for SWG tube	145	195	195	247	264
BS	146	196	196	248	258
DIN	146	196	202	264	264

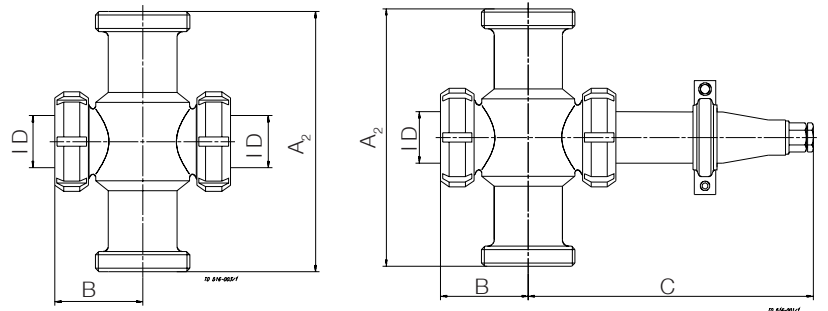


Fig. 4. Dimensions, A<sub>2</sub>

## Options

### Material grades

A) Seals of Nitril (NBR) or flourinated rubber (FPM).

### Ordering

Please state the following when ordering:

- Size.
- Connections. If male parts, please state standard.

**Note!** For further details, see also PD 65036.

### How to contact Alfa Laval

Contact details for all countries are continually updated on our website. Please visit [www.alfalaval.com](http://www.alfalaval.com) to access the information direct.