

# Don't Gamble with your Sample

## Keofitt Aseptic Sampling Valve

### Working principle

The Keofitt Aseptic Sampling Valve is designed for sterilization before and after each sampling.

### Open valve: Sampling

The manual valve is opened by rotating the handle (adjustable valve) or by activating the lever (on/off valve).

The stem and the membrane are then retracted, allowing liquid to pass.

### Closed valve: Sterilizing

Using the reverse procedure the built-in spring closes the valve, keeping the channel between the hose pieces open for sterilization. If using steam a small pressure relief valve (optional) on the outlet is recommended.

### Standard design

The Keofitt Aseptic Sampling valve consists of three parts, a valve body, a valve head and a membrane. The rubber membrane is placed on the stem of the valve head and works as a stretchable plug. The valve bodies and valve heads are interchangeable.

### The valve is available in two sizes:

- M4 valve for low viscosity products like water, beer, wine and liquid milk.
- W9 for high viscosity products like fruit yoghurt, syrup and ice cream.

W9 valve is available with micro ports, to enable sampling by hyperdermic needle.

The valve body is supplied with either welding end for tank, welding end for pipe, with clamp end or with thread.

### Valve bodies:

- Type T: Tank (welding).
- Type P: Pipe (welding).
- Type C: Clamp.
- Type S: Socket (threaded).

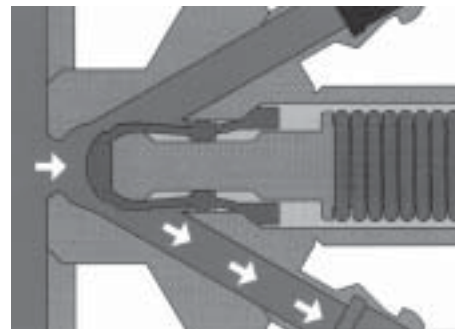
### Valve heads:

- Type H: Turning handle.
- Type K: Removable key.
- Type Q: Quick lever.
- Type N: Manually and pneumatically operated.
- Type B: Turning handle (for pressure up to 12 bar).

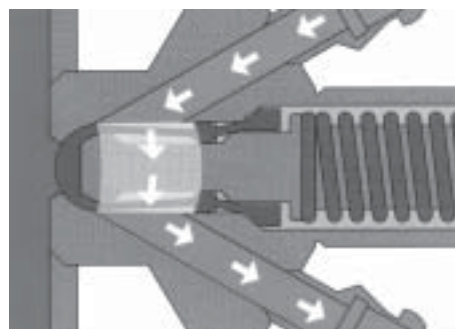
The valve is authorized to use the 3A symbol.



Fig. 1. Keofitt Aseptic Sampling Valve.



a. Open valve, Sampling.



b. Closed valve, Sterilizing.

Fig. 2. Principle.

Dimensions (mm)

| Pos.       | M4           | W9         |
|------------|--------------|------------|
| A          | 70           | 90         |
| B          | 4            | 9          |
| C          | 5            | 8          |
| D (Tank)   | 28           | 28         |
| D (Pipe)   | 25*          | 25*        |
| D (Clamp)  | 25           | 50         |
|            | (1/2" Clamp) | (1" Clamp) |
| D (Socket) | M28x1.5      | M28x1.5    |
| E          | 47           | 68         |

\* only for DIN

Materials

|             |  |
|-------------|--|
| Valve body: | Stainless steel 1.4404 (316L).                       |
| Valve head: | Stainless steel 301, 303, 316L,<br>PEHD/black, PTFE. |
| Membrane:   | Silicone rubber.<br>EPDM rubber.<br>PTFE             |

Technical data

Pressure

|                       |                   |
|-----------------------|-------------------|
| Max. working pressure | 600 kPa (6 bar).  |
| Max. working pressure |                   |
| M4 Type B:            | 1200 kPa (12 bar) |
| W9 Type B:            | 1500 kPa (15 bar) |

Temperature

|  |              |
|--|--------------|
| Temperature range:                                 | 1°C - 130°C. |
| Max. sterilization temperature, dry steam (2 bar): | 121°C.       |

Steam must be dry, since condensate will damage the membrane. It is recommended that the membrane be changed every 100 samples/sterilizations or depending on working conditions or experience.

Options

- A) Key ring for valve head, type K.
- B) Valve head for pneumatic and manual operation, type N ("A" dimension increases).
- C) Valve head, type H and K with micro port for W9.
- D) Valve head, type B (blocking) without spring, to be used if risk of pressure shocks (handle is white).
- E) For various accessories please see Ordering Leaflet.

Ordering

Please state the following when ordering:

- Valve size, M4 or W9.
- Type of valve body.
- Type of valve head.
- Accessories.
- Other options.

Note!

For further information, see also instruction IM 70783.

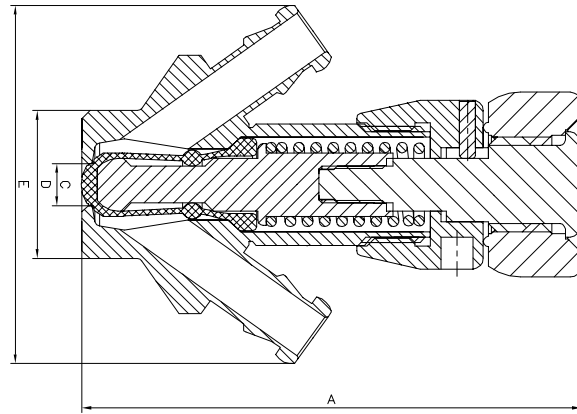


Fig. 3. Dimensions.

Valve bodies:

Valve bodies/Valve heads:

Type T: Tank (welding).

Type B: Turning handle.



Type P: Pipe (welding).

Type P/Type K: Removable key.



Type C: Clamp.

Type C/Type Q: Quick lever.



Type S: Socket (threaded).

Type S/Type N: Pneumatic and manual.



Fig. 4. Valve bodies and valve heads (interchangeable).