

Aseptic Remote Controlled Valve Stop Valve - Type SRC-A

Actuator

Pos.	Qty	Denomination	38 mm	51 mm	63.5 mm	76 mm	101.6 mm
		Actuator -1, complete	31353-0206-4	31353-0206-4	31353-0206-4	31353-0214-4	31353-0214-4
		Actuator -2, complete	31353-0206-6	31353-0206-6	31353-0206-6	31353-0214-6	31353-0214-6
		Actuator -3, complete	31353-0206-7	31353-0206-7	31353-0206-7	31353-0214-7	31353-0214-7
1	1	Cap	31801-0525-6	31801-0525-6	31801-0525-6	31801-0525-5	31801-0525-5
2	2	O-ring	223406-25	223406-25	223406-25	223406-49	223406-49
3	1	Cylinder	31353-0139-1	31353-0139-1	31353-0139-1	31353-0185-1	31353-0185-1
4	1	Lock Wire	31353-0151-1	31353-0151-1	31353-0151-1	31353-0189-1	31353-0189-1
6	1	O-ring	223401-74	223401-74	223401-74	223401-75	223401-75
7	1	Piston	31353-0621-1	31353-0621-1	31353-0621-1	31353-0619-1	31353-0619-1
9	1	O-ring	223406-67	223406-67	223406-67	223406-17	223406-17
10	1	Bonnet	31353-0133-2	31353-0133-2	31353-0133-2	31353-0190-2	31353-0190-2
11	1	Clip, complete (period 84.08-)	31353-0793-1	31353-0793-1	31353-0793-1	31353-0793-2	31353-0793-2
11	1	Clip, (period 68.02-84.07)	31353-0130-1	31353-0130-1	31353-0130-1	31353-0130-1	31353-0130-1
12*	1	Plug	31353-0154-1	31353-0154-1	31353-0154-1	31353-0154-1	31353-0154-1
13a*	1	Spring assembly (Standard)	31353-0625-1	31353-0625-1	31353-0625-1	31353-0622-1	31353-0622-1
13b*	1	Spring assembly with extra strong spring	31353-0625-2	31353-0625-2	31353-0625-2	31353-0622-2	31353-0622-2
209b	1	Drain tube	31801-1444-1	31801-1444-1	31801-1444-1	31801-1444-1	31801-1444-1
210	1	Plug	526351-01	526351-01	526351-01	526351-01	526351-01

* Only for actuator -1 and -2.

Valve Body Part

Pos.	Qty	Denomination	38 mm	51 mm	63.5 mm	76 mm	101.6 mm
Clamp							
15a+b	1	Clamps and screws	31320-0027-1	31320-0027-1	31320-0027-1	31320-0027-2	31320-0027-2
		(Period 9209-)					
15a	2	Clamp half (Period -9209)	31320-0022-1	31320-0022-1	31320-0022-1	31320-0021-1	31320-0021-1
15b	2	Screw (Period -9209)	2210936-18	2210936-18	2210936-18	2210936-18	2210936-18
Valve Body							
18a	1	Valve body, 2 body ends	31353-0375-1	31353-0376-1	31353-0380-1	31353-0381-1	31353-0026-1
18b	1	Valve body, 3 body ends	31353-0375-6	31353-0376-6	31353-0380-6	31353-0381-6	31353-0026-6
Valve Plug							
	1	Valve plug complete EPDM	31353-0500-1	31353-0500-2	31353-0500-3	31353-0500-4	31353-0500-5
208a	1	Stem	31353-0473-1	31353-0473-2	31353-0474-1	31353-0476-1	31353-0476-2
19e	1	Packing, EPDM	31353-0320-1	31353-0321-1	31353-0322-1	31353-0324-1	31353-0325-1
19f	1	Washer	31353-0357-1	31353-0358-1	31353-0359-1	31353-0360-1	31353-0361-1
19g	1	O-ring, EPDM	990034-01	990034-01	990034-01	990034-01	990034-01
19h	1	Screw	31353-0362-1	31353-0362-1	31353-0362-1	31353-0362-1	31353-0362-1
Diaphragm Parts							
201	1	Pressure support	31353-0457-1	31353-0457-1	31353-0457-1	31353-0458-1	31353-0458-1
202	1	Vacuum support	31353-0496-1	31353-0496-1	31353-0496-1	31353-0544-1	31353-0544-1
203	1	O-ring, EPDM	990014-01	990014-01	990014-01	31353-0542-1	31353-0542-1
204	1	Diaphragm EPDM	31353-0407-1	31353-0407-1	31353-0407-1	31353-0414-1	31353-0414-1
205	1	Packing, PTFE	31353-0497-1	31353-0497-1	31353-0497-1	31353-0506-1	31353-0506-1
206a	1	Nut	31353-0538-1	31353-0538-1	31353-0538-1	31353-0541-1	31353-0541-1
207	1	Washer	31353-0404-1	31353-0404-1	31353-0404-1	31353-0411-1	31353-0411-1

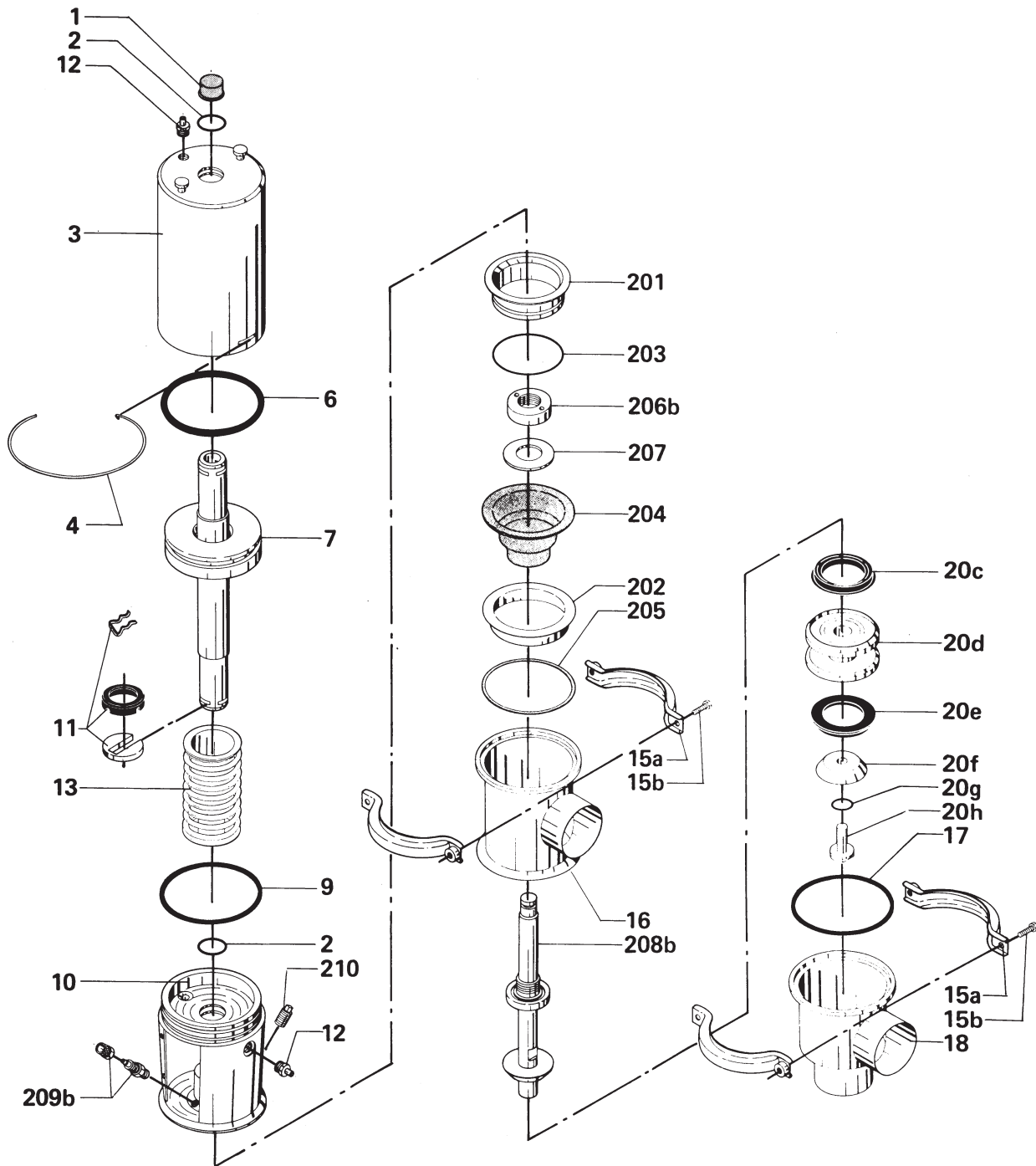
Not manufactured anymore

Recommended spare parts: Pos. 2,4,6,9,11, 203, 204, 205 and also packings and O-rings for the valve plugs

Reg. 2.11.10	9805
Intro.	8301

Aseptic Remote Controlled Valve Change-over Valve - Type SRC-A

Not manufactured anymore



Reg. 2.11.11	9805
Intro.	8301

Aseptic Remote Controlled Valve Change-over Valve - Type SRC-A

Actuator

Pos.	Qty	Denomination	38 mm	51 mm	63.5 mm	76 mm	101.6 mm
		Actuator -1, complete	31353-0206-4	31353-0206-4	31353-0206-4	31353-0214-4	31353-0214-4
		Actuator -2, complete	31353-0206-6	31353-0206-6	31353-0206-6	31353-0214-6	31353-0214-6
		Actuator -3, complete	31353-0206-7	31353-0206-7	31353-0206-7	31353-0214-7	31353-0214-7
1	1	Cap	31801-0525-6	31801-0525-6	31801-0525-6	31801-0525-5	31801-0525-5
2	2	O-ring	223406-25	223406-25	223406-25	223406-49	223406-49
3	1	Cylinder	31353-0139-1	31353-0139-1	31353-0139-1	31353-0185-1	31353-0185-1
4	1	Lock Wire	31353-0151-1	31353-0151-1	31353-0151-1	31353-0189-1	31353-0189-1
6	1	O-ring	223401-74	223401-74	223401-74	223401-75	223401-75
7	1	Piston	31353-0621-1	31353-0621-1	31353-0621-1	31353-0619-1	31353-0619-1
9	1	O-ring	223406-67	223406-67	223406-67	223406-17	223406-17
10	1	Bonnet	31353-0133-2	31353-0133-2	31353-0133-2	31353-0190-2	31353-0190-2
11	1	Clip, complete (period 84.08-)	31353-0793-1	31353-0793-1	31353-0793-1	31353-0793-2	31353-0793-2
11	1	Clip, (period 68.02-84.07)	31353-0130-1	31353-0130-1	31353-0130-1	31353-0130-1	31353-0130-1
12*	1	Plug	31353-0154-1	31353-0154-1	31353-0154-1	31353-0154-1	31353-0154-1
13a*	1	Spring assembly (Standard)	31353-0625-1	31353-0625-1	31353-0625-1	31353-0622-1	31353-0622-1
13b*	1	Spring assembly with extra strong spring	31353-0625-2	31353-0625-2	31353-0625-2	31353-0622-2	31353-0622-2
209b	1	Drain tube	31801-1444-1	31801-1444-1	31801-1444-1	31801-1444-1	31801-1444-1
210	1	Plug	526351-01	526351-01	526351-01	526351-01	526351-01

* Only for actuator -1 and -2.

Valve Body Part

Pos.	Qty	Denomination	38 mm	51 mm	63.5 mm	76 mm	101.6 mm
Clamp							
15a+b	2	Clamps and screws	31320-0027-1	31320-0027-1	31320-0027-1	31320-0027-2	31320-0027-2
		(Period 9209-)					
15a	4	Clamp half (Period -9209)	31320-0022-1	31320-0022-1	31320-0022-1	31320-0021-1	31320-0021-1 15b
4		Screw (Period -9209)	2210936-18	2210936-18	2210936-18	2210936-18	2210936-18

Valve Body

16a	1	Valve body, upper, 1 body end	31353-0053-1	31353-0054-1	31353-0055-1	31353-0056-1	31353-0058-1
16b	1	Valve body, upper, 2 body ends	31353-0053-6	31353-0054-6	31353-0055-6	31353-0056-6	31353-0058-6
17	1	Valve body packing, EPDM	31353-0128-1	31353-0128-1	31353-0128-1	31353-0205-1	31353-0205-1
18a	1	Valve body, lower, 2 body ends	31353-0375-1	31353-0376-1	31353-0380-1	31353-0381-1	31353-0026-1
18b	1	Valve body, lower, 3 body ends	31353-0375-6	31353-0376-6	31353-0380-6	31353-0381-6	31353-0026-6

Valve Plug

	1	Valve plug complete	31353-0501-1	31353-0501-2	31353-0501-3	31353-0501-4	31353-0501-5
208b	1	Stem	31353-0472-1	31353-0472-2	31353-0472-3	31353-0477-1	31353-0477-2
20c	1	Packing, upper, EPDM	31353-0321-1	31353-0321-1	31353-0323-1	31353-0324-1	31353-0325-1
20d	1	Middle piece	31353-0363-1	31353-0364-1	31353-0365-1	31353-0366-1	31353-0367-1
20e	1	Packing, lower, EPDM	31353-0320-1	31353-0321-1	31353-0322-1	31353-0324-1	31353-0325-1
20f	1	Washer	31353-0357-1	31353-0358-1	31353-0359-1	31353-0360-1	31353-0361-1
20g	1	O-ring, EPDM	990034-01	990034-01	990034-01	990034-01	990034-01
20h	1	Screw	31353-0362-1	31353-0362-1	31353-0362-1	31353-0362-1	31353-0362-1

Diaphragm Parts

201	1	Pressure support	31353-0457-1	31353-0457-1	31353-0457-1	31353-0458-1	31353-0458-1
202	1	Vacuum support	31353-0496-1	31353-0496-1	31353-0496-1	31353-0544-1	31353-0544-1
203	1	O-ring, EPDM	990014-01	990014-01	990014-01	31353-0542-1	31353-0542-1
204	1	Diaphragm, EPDM	31353-0407-1	31353-0407-1	31353-0407-1	31353-0414-1	31353-0414-1
205	1	Packing, PTFE	31353-0497-1	31353-0497-1	31353-0497-1	31353-0506-1	31353-0506-1
206a	1	Nut	31353-0405-1	31353-0405-1	31353-0405-1	31353-0412-1	31353-0412-1
207	1	Washer	31353-0404-1	31353-0404-1	31353-0404-1	31353-0411-1	31353-0411-1

Not manufactured anymore

Recommended spare parts: Pos. 2,4,6,9,11, 203, 204, 205 and also packings and O-rings for the valve plugs

Reg. 2.11.11	9805
Intro.	8301