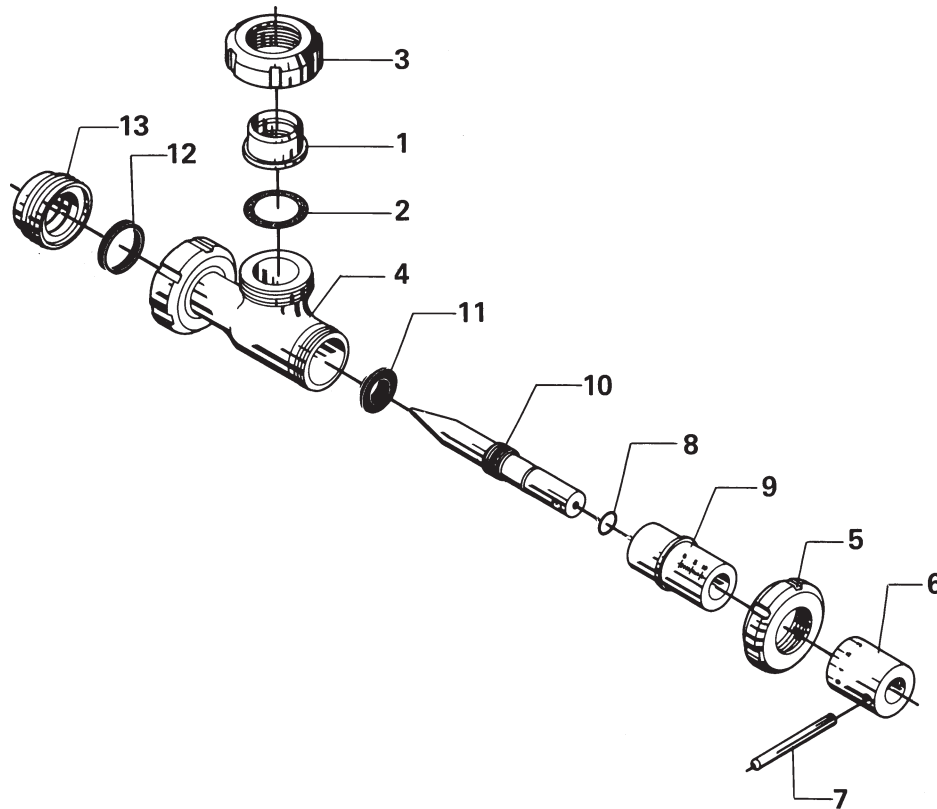


Fine-adjustment Regulating Valve Type FA

Not manufactured anymore



Reg. 2.13.14	9805
Intro.	8301

Fine-adjustment Regulating Valve Type FA

AISI 316

Pos.	Qty.	Denomination	31351-0007-1
1	1	Liner	190627
2	1	Seal (teflon)	516281-13
3	1	Nut	190613
4	1	Valve body	
5	1	Nut	785235-02
6	1	Hand-wheel	785928-01
7	1	Pin	222111-31
8	1	O-ring	223404-40
9	1	Guide spindle	533545-01
10	1	Valve spindle	533383-01
11	1	Lip seal	223537-02
12	1	Seal (NBR)	190601
13	1	Male part	190641

Not manufactured anymore

Recommended spare parts: pos. 2, 8, 11, 12.

Reg. 2.13.14	9805
Intro.	8301