

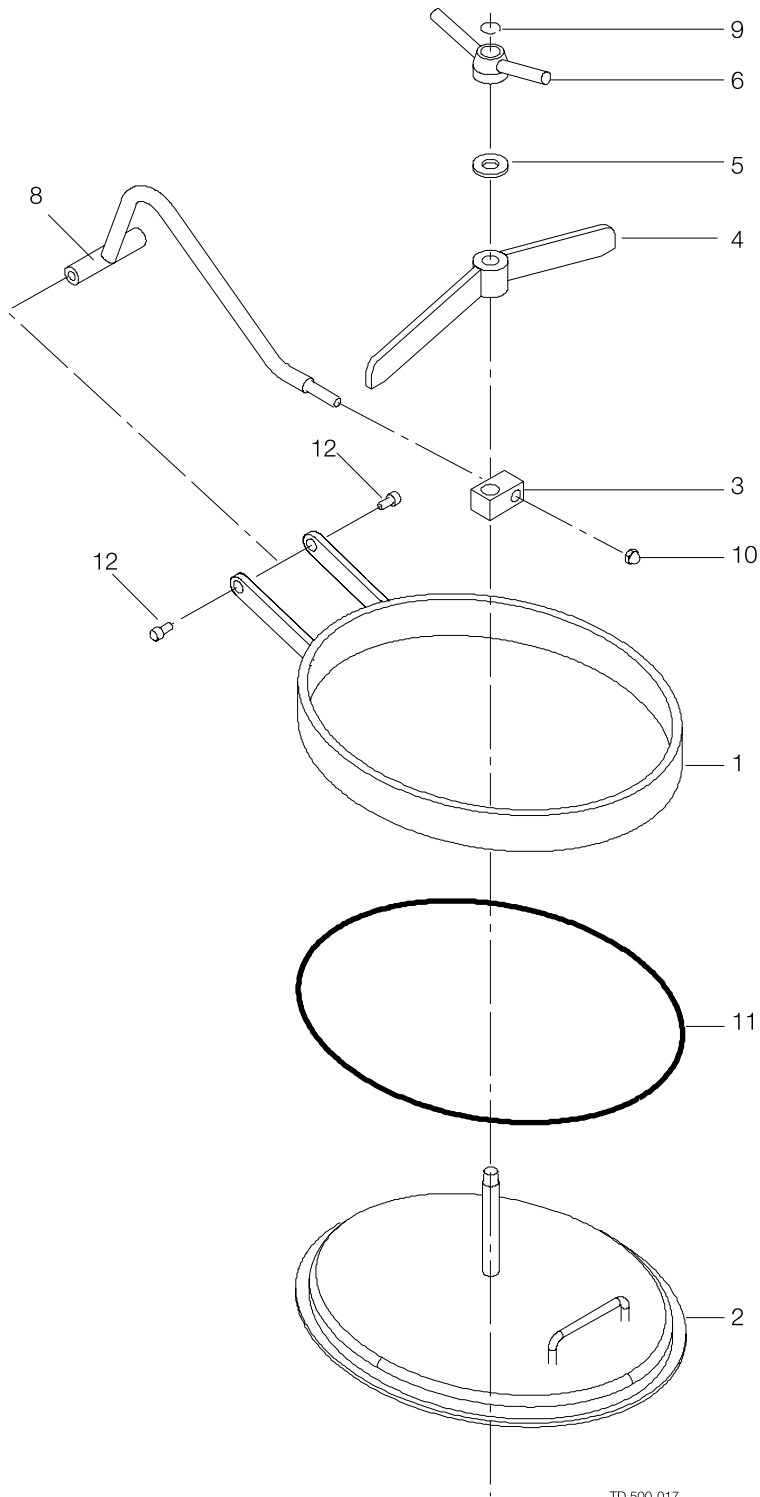


Spare Parts

Manhole Covers

Oval Manhole Cover 510 x 410 Type LKD-LKDI

2



TD 500-017

Oval Manhole Cover 510 x 410 Type LKD-LKDI

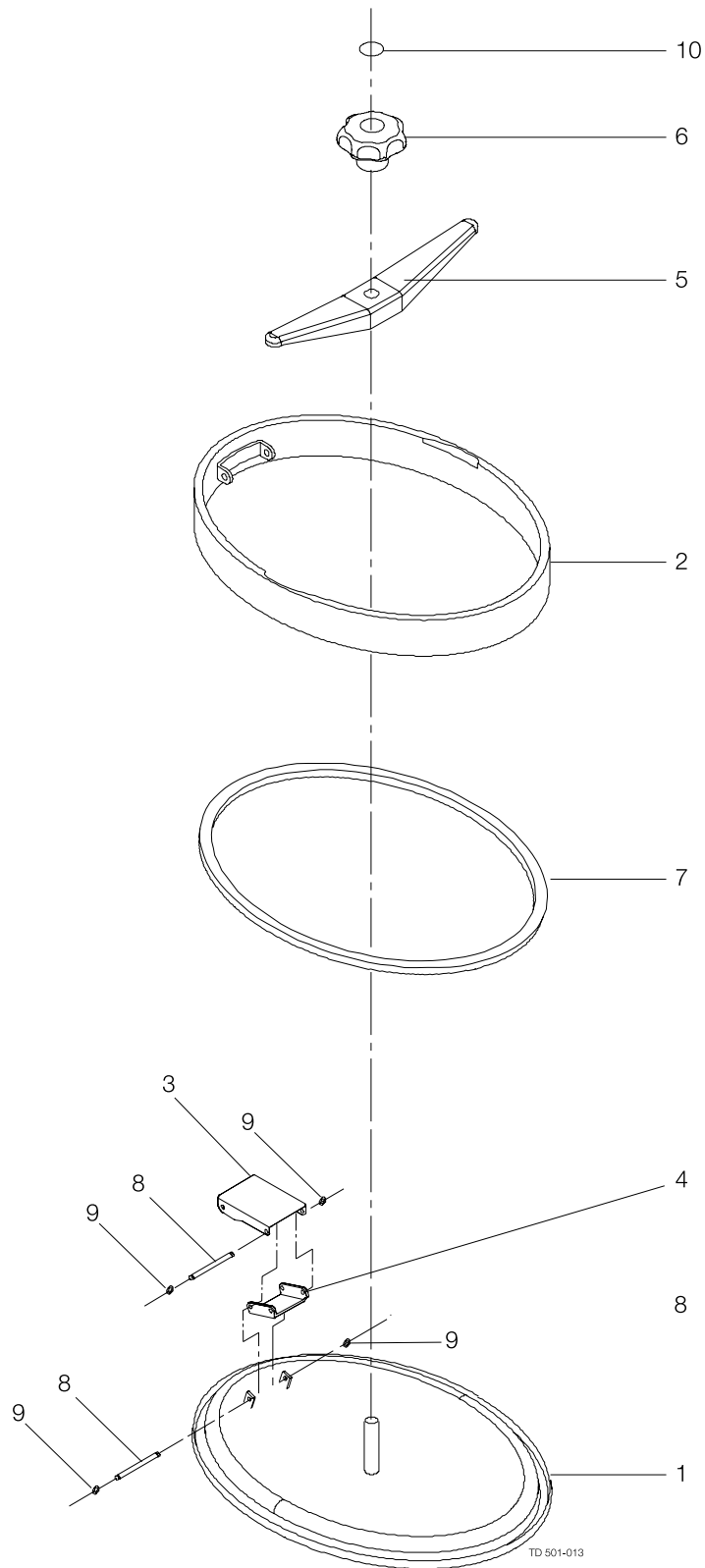
Pos.	Qty.	Denomination	LKD	LKDI	LKD	LKDI
			Low Frame 1.4301	High Frame 1.4301	Low Frame 1.4404	High Frame 1.4404
1	1	Frame (Period 9907-)	9612-6053-01	9612-6054-01	9612-6053-02	9612-6054-02
	1	Frame (Period -9907)	9611-70-2003	9611-70-082-0	9611-70-2144	9611-70-082-1
2	1	Cover (Period 9907-)	9612-6073-01	9612-6073-01	9612-6073-02	9612-6073-02
	1	Cover (Period -9907)	9611-70-2016	9611-70-2016	9611-70-2147	9611-70-2147
3	1	Hub (Period 9907-)	9612-6076-01	9612-6076-01	9612-6076-01	9612-6076-01
	1	Hub (Period -9907)	9611-70-2038	9611-70-2038	9611-70-2038	9611-70-2038
4	1	Toggle (Period 9907-)	9612-6065-01	9612-6066-01	9612-6065-01	9612-6066-01
	1	Toggle (Period -9907)	9611-70-2046	9611-70-2048	9611-70-2046	9611-70-2048
5	1	Trust collar (Period 9907-)	9612-6075-01	9612-6075-01	9612-6075-01	9612-6075-01
	1	Trust collar (Period -9907)	9611-70-2055	9611-70-2055	9611-70-2055	9611-70-2055
6	1	Top nut (Period 9907-)	9612-6077-01	9612-6077-01	9612-6077-01	9612-6077-01
	1	Top nut (Period -9907)	9611-70-2050	9611-70-2050	9611-70-2050	9611-70-2050
7	2	Screw (Period 9907-)	9611-99-1760	9611-99-1760	9611-99-1760	9611-99-1760
	1	Screw (Period -9907)	9611-70-2032	9611-70-2032	9611-70-2032	9611-70-2032
8	1	Suspension arm, left (Period 9907-)	9612-6047-01	9612-6048-01	9612-6047-01	9612-6048-01
	1	Suspension arm, left (Period -9907)	9611-70-2033	9611-70-087-0	9611-70-2033	9611-70-087-0
9	1	Clip (Period 9907-)	9611-99-0704	9611-99-0704	9611-99-0704	9611-99-0704
	1	Screw (Period -9907)	9611-70-2054	9611-70-2054	9611-70-2054	9611-70-2054
10	1	Nut (Period 9907-)	9611-99-1761	9611-99-1761	9611-99-1761	9611-99-1761
	3	Nut (Period -9907)	9611-70-0211	9611-70-0211	9611-70-0211	9611-70-0211
11	1	Seal NBR, black (Std.)	9611-70-2057	9611-70-2057	9611-70-2057	9611-70-2057
	1	Seal EPDM	9611-70-159-0	9611-70-159-0	9611-70-159-0	9611-70-159-0
	1	Seal FPM	9611-70-159-3	9611-70-159-3	9611-70-159-3	9611-70-159-3
	1	Seal Silicone (Q)	9611-70-159-2	9611-70-159-2	9611-70-159-2	9611-70-159-2
	1	Seal NBR, white	9611-70-159-1	9611-70-159-1	9611-70-159-1	9611-70-159-1

Recommended spare parts: Pos. 11.

TD 900-222

Oval Manhole Cover 440 x 320 Type LKD

4



Oval Manhole Cover 440 x 320 Type LKD

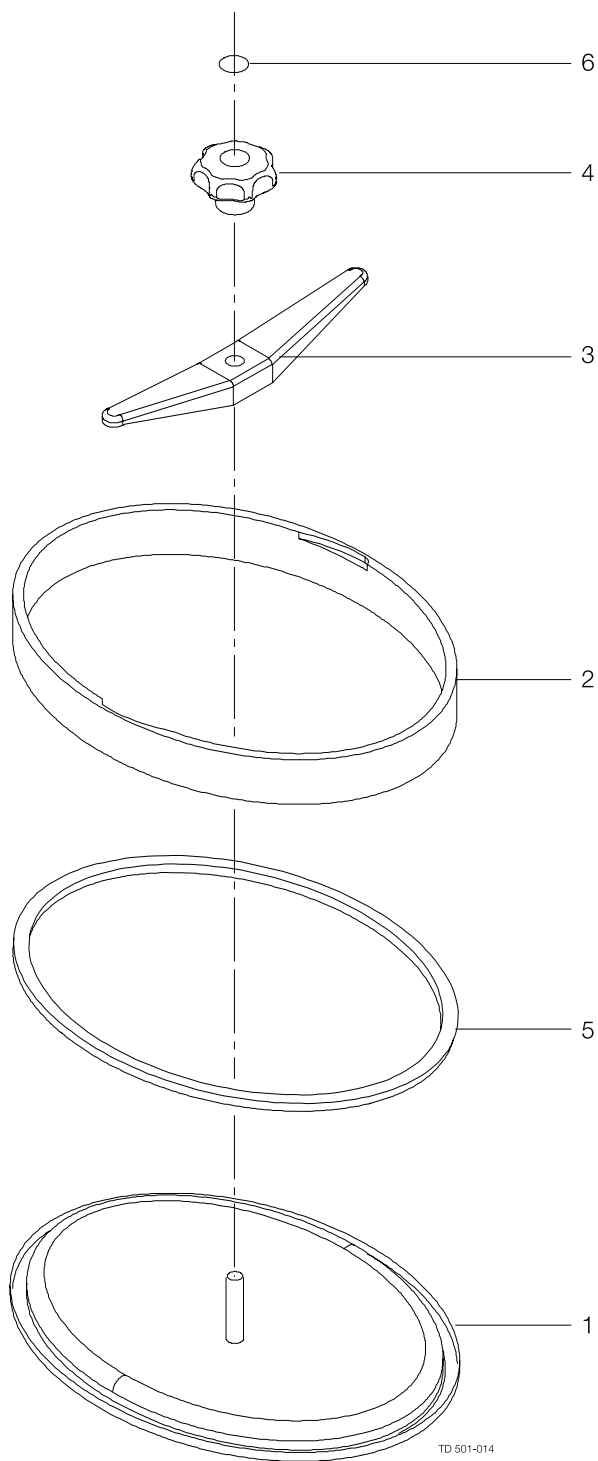
Pos.	Qty.	Denomination	1.4301	1.4404
1	1	Cover.....	9611-70-033-0	9611-70-033-1
2	1	Frame	9611-70-048-0	9611-70-048-1
3	1	Big mounting	9611-70-044-0	9611-70-044-0
4	1	Small mounting	9611-70-036-0	9611-70-036-0
5	1	Toggle.....	9611-70-034-0	9611-70-034-0
6	1	Handle, blue (Period 9907-)	9611-70-067-2	9611-70-067-2
	1	Handle, green (Period -9907)	9611-70-067-0	9611-70-067-0
7	1	Seal - NBR, black (Std.)	9611-70-051-0	9611-70-051-0
	1	Seal - Silicone (Q).....	9611-70-051-1	9611-70-051-1
	1	Seal - EPDM.....	9611-70-051-2	9611-70-051-2
	1	Seal - NBR, white	9611-70-051-3	9611-70-051-3
8	2	Pin	9611-70-039-0	9611-70-039-0
9	4	O-ring	223403-02	223403-02
10	1	Capsule, blue (Period 9907-).....	9611-70-064-4	9611-70-064-4
	1	Capsule, green (Period -9907)	9611-70-064-0	9611-70-064-0

Recommended spare parts: Pos. 7.

TD 900-223

Oval Manhole Cover 440 x 320 Type LKD

6



Oval Manhole Cover 440 x 320 Type LKD

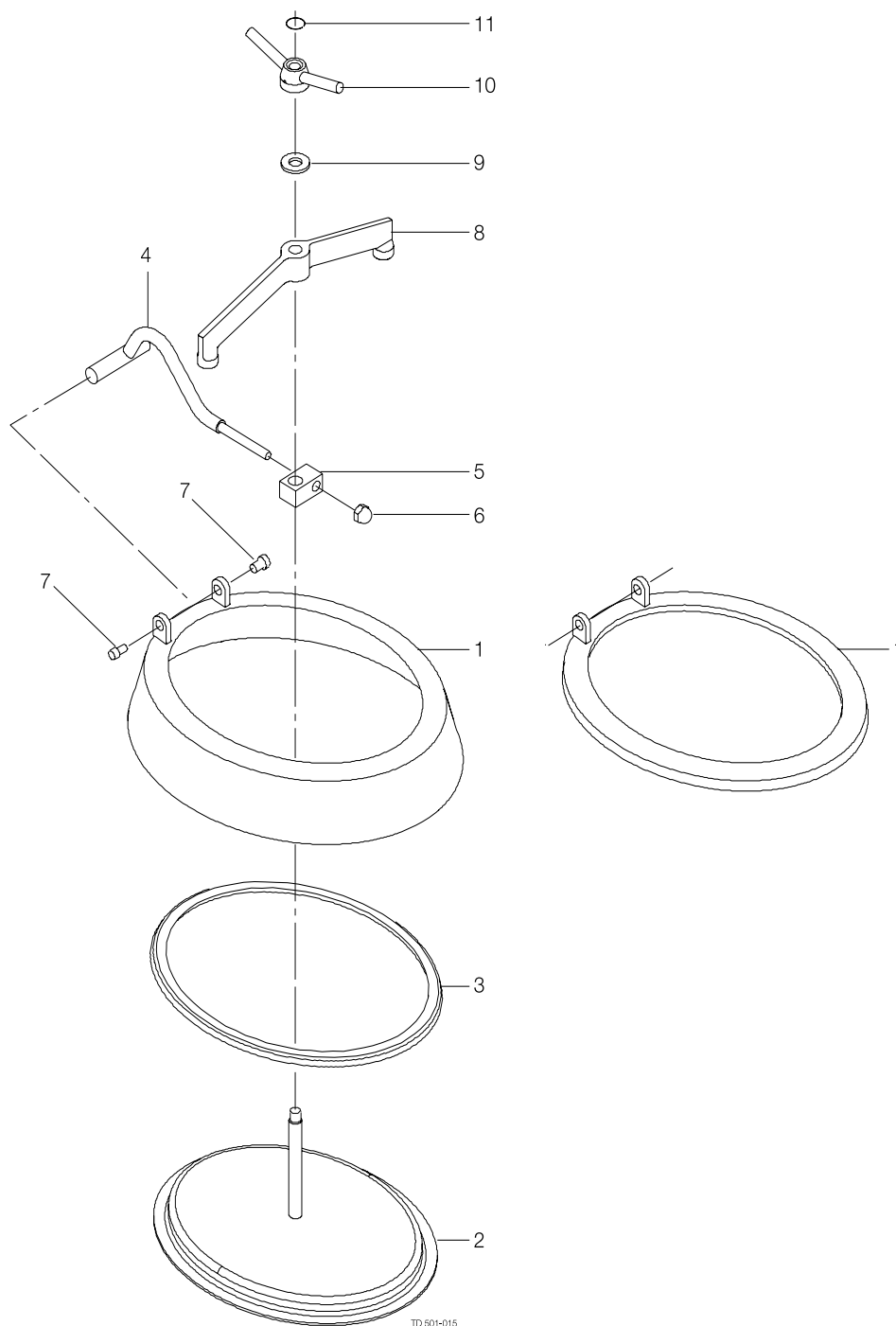
Pos.	Qty.	Denomination	1.4301	1.4404
1	1	Cover	9611-70-077-0	9611-70-077-1
2	1	Frame	9611-70-030-0	9611-70-030-1
3	1	Toggle	9611-70-034-0	9611-70-034-0
4	1	Handle, blue (Period 9907-)	9611-70-067-2	9611-70-067-2
	1	Handle, green (Period -9907)	9611-70-067-0	9611-70-067-0
5	1	Seal - NBR, black (Std.)	9611-70-051-0	9611-70-051-0
	1	Seal - Silicone (Q).....	9611-70-051-1	9611-70-051-1
	1	Seal - EPDM.....	9611-70-051-2	9611-70-051-2
	1	Seal - NBR, white	9611-70-051-3	9611-70-051-3
6	1	Capsule, blue (Period 9907-).....	9611-70-064-4	9611-70-064-4
	1	Capsule, green (Period -9907)	9611-70-064-0	9611-70-064-0

Recommended spare parts: Pos. 5.

TD 900-224

Oval Manhole Cover 450 x 350 Type LKD

8



Oval Manhole Cover 450 x 350 Type LKD

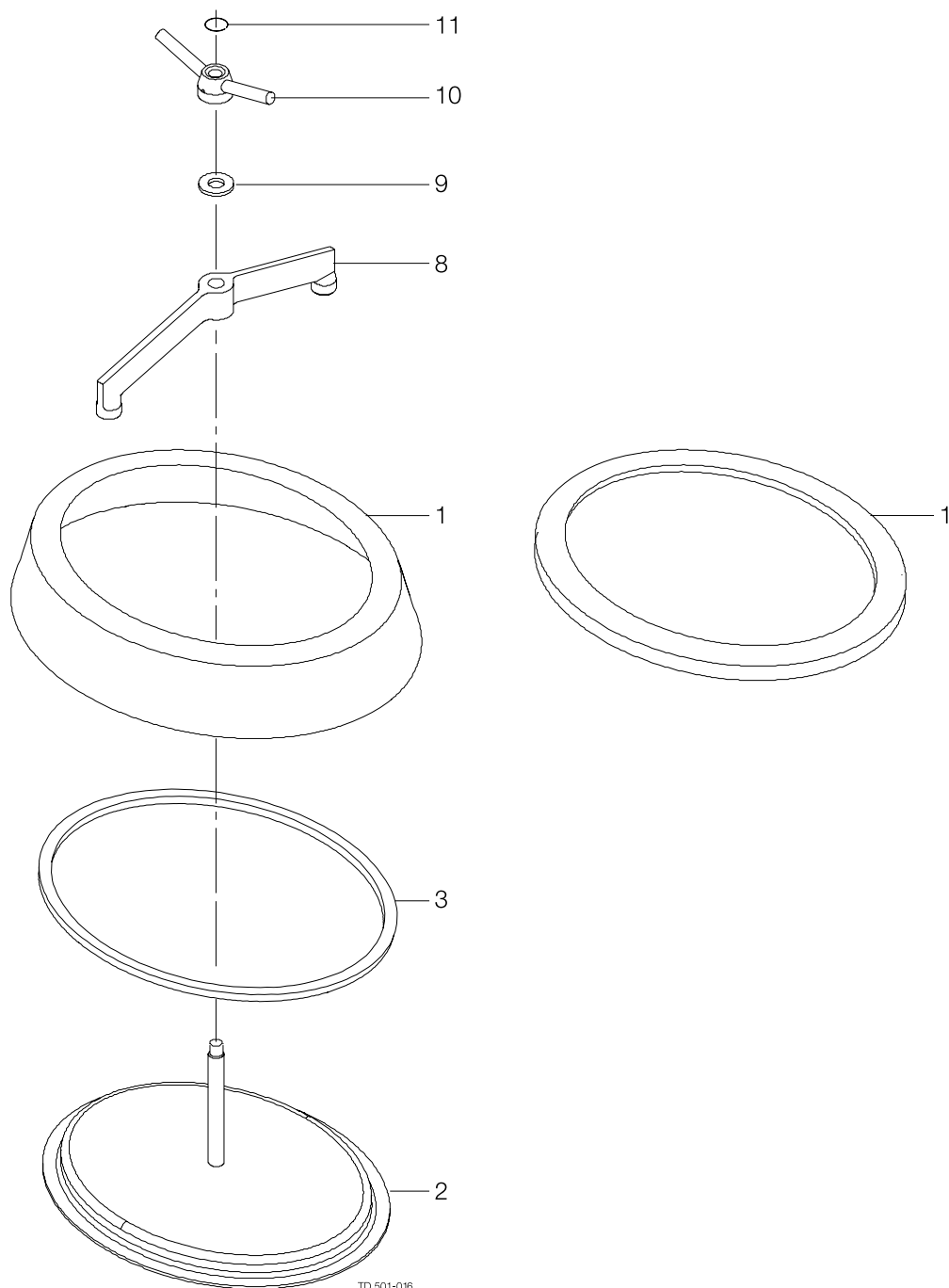
Pos.	Qty.	Denomination	With angle shaped frame and left-hand hinge		With flat frame and left-hand hinge	
			1.4301	1.4571	1.4301	1.4571
1	1	Frame 70x3.....	9612-1719-01	9612-1719-02		
	1	Frame 70x4.....	9612-1719-03	9612-1719-04		
	1	Frame 100x3.....	9612-1719-05	9612-1719-06		
	1	Frame 100x4.....	9612-1719-07	9612-1719-08		
	1	Frame 140x3.....	9612-1719-09	9612-1719-10		
	1	Frame 140x4.....	9612-1719-11	9612-1719-12		
	1	Frame 10x30.....			9612-1722-01	9612-1722-02
	1	Frame 12x30.....			9612-1722-03	9612-1722-04
2	1	Cover 3 mm (Period 9907-).....	9612-6071-01	9612-6071-02	9612-6071-01	9612-6071-02
	1	Cover 3 mm (Period -9907).....	9612-1711-01	9612-1711-02	9612-1711-01	9612-1711-02
	1	Cover 4 mm (Period 9907-).....	9612-6071-03	9612-6071-04	9612-6071-03	9612-6071-04
	1	Cover 4 mm (Period -9907).....	9612-1711-03	9612-1711-04	9612-1711-03	9612-1711-04
3	1	Seal, NBR (Standard)	9612-1710-04	9612-1710-04	9612-1710-04	9612-1710-04
	1	Seal, EPDM.....	9612-1710-03	9612-1710-03	9612-1710-03	9612-1710-03
	1	Seal, FPM	9612-1710-02	9612-1710-02	9612-1710-02	9612-1710-02
	1	Seal, Q.....	9612-1710-01	9612-1710-01	9612-1710-01	9612-1710-01
4	1	Suspension arm	9612-1715-01	9612-1715-01	9612-1715-01	9612-1715-01
5	1	Hub (Period 9907-).....	9612-6076-01	9612-6076-01	9612-6076-01	9612-6076-01
	1	Hub (Period -9907).....	9612-1718-02	9612-1718-02	9612-1718-02	9612-1718-02
6	1	Nut.....	9611-99-1761	9611-99-1761	9611-99-1761	9611-99-1761
7	2	Screw	9611-99-1760	9611-99-1760	9611-99-1760	9611-99-1760
8	1	Toggle (Period 9907-).....	9612-6067-01	9612-6067-01	9612-6067-01	9612-6067-01
	1	Toggle (Period -9907).....	9612-1707-02	9612-1707-02	9612-1707-02	9612-1707-02
9	1	Thrust plate (Period 9907-).....	9612-6075-01	9612-6075-01	9612-6075-01	9612-6075-01
	1	Thrust plate (Period -9907).....	9612-1716-01	9612-1716-01	9612-1716-01	9612-1716-01
10	1	Clamping nut (Period 9907-) ...	9612-6077-01	9612-6077-01	9612-6077-01	9612-6077-01
	1	Clamping nut (Period -9907) ...	9612-1708-02	9612-1708-02	9612-1708-02	9612-1708-02
11	1	Clip (Period 9907-)	9611-99-0704	9611-99-0704	9611-99-0704	9611-99-0704

Recommended spare parts: Pos. 3.

TD 900-225

Oval Manhole Cover 450 x 350 Type LKD

10



Oval Manhole Cover 450 x 350 Type LKD

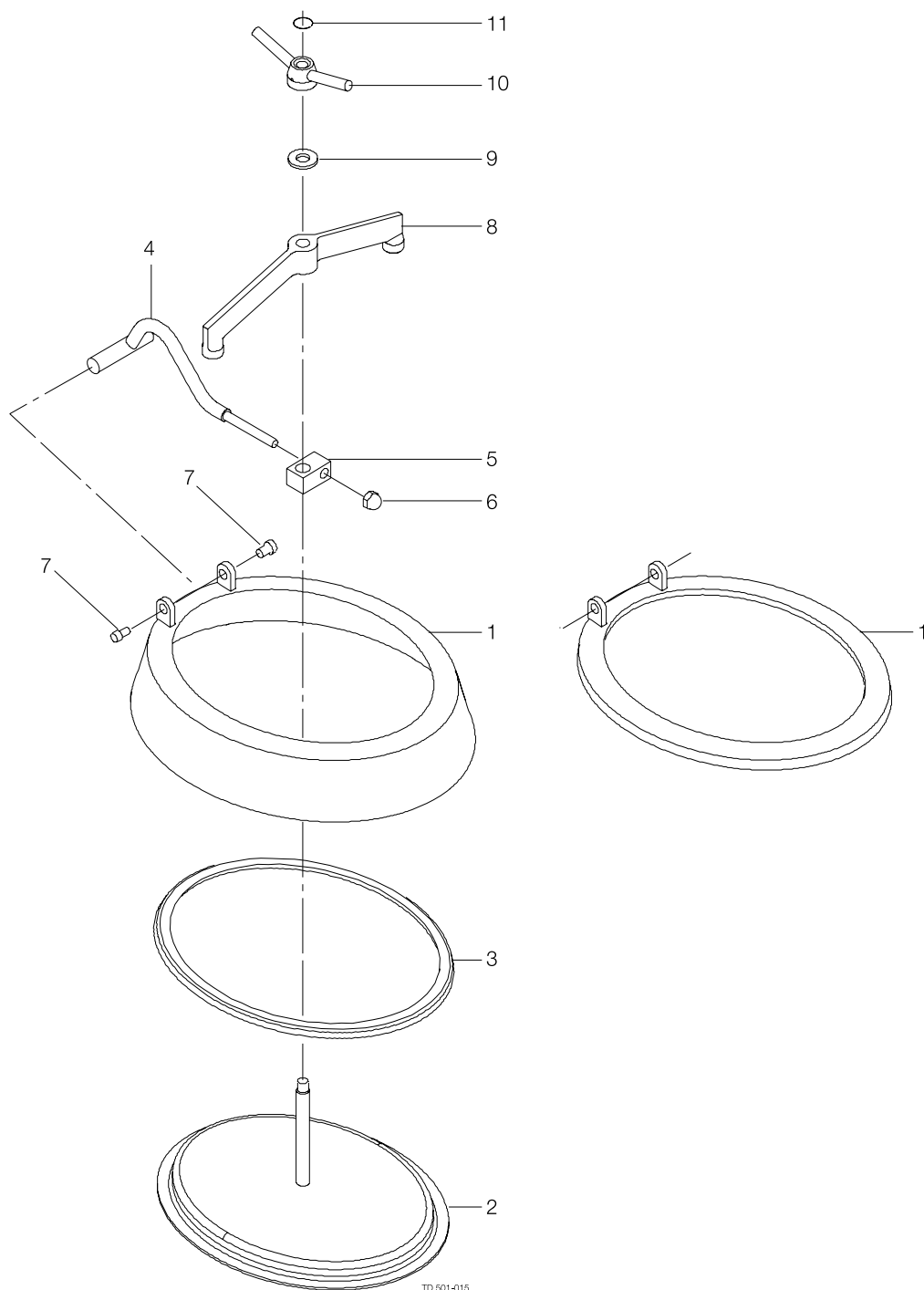
Pos.	Qty.	Denomination	With angle shaped frame without hinge		With flat frame without hinge	
			1.4301	1.4571	1.4301	1.4571
1	1	Frame 70x3.....	9612-1769-01	9612-1769-02		
	1	Frame 70x4.....	9612-1769-03	9612-1769-04		
	1	Frame 100x3.....	9612-1769-05	9612-1769-06		
	1	Frame 100x4.....	9612-1769-07	9612-1769-08		
	1	Frame 140x3.....	9612-1769-09	9612-1769-10		
	1	Frame 140x4.....	9612-1769-11	9612-1769-12		
	1	Frame 10x30.....			9612-1705-01	9612-1705-02
	1	Frame 12x30.....			9612-1705-03	9612-1705-04
2	1	Cover 3 mm (Period 9907-)....	9612-6071-01	9612-6071-02	9612-6071-01	9612-6071-02
	1	Cover 3 mm (Period -9907)....	9612-1711-01	9612-1711-02	9612-1711-01	9612-1711-02
	1	Cover 4 mm (Period 9907-)....	9612-6071-03	9612-6071-04	9612-6071-03	9612-6071-04
	1	Cover 4 mm (Period -9907)....	9612-1711-03	9612-1711-04	9612-1711-03	9612-1711-04
3	1	Seal, NBR (Standard)	9612-1710-04	9612-1710-04	9612-1710-04	9612-1710-04
	1	Seal, EPDM.....	9612-1710-03	9612-1710-03	9612-1710-03	9612-1710-03
	1	Seal, FPM	9612-1710-02	9612-1710-02	9612-1710-02	9612-1710-02
	1	Seal, Q.....	9612-1710-01	9612-1710-01	9612-1710-01	9612-1710-01
8	1	Toggle (Period 9907-).....	9612-6067-01	9612-6067-01	9612-6067-01	9612-6067-01
	1	Toggle (Period -9907).....	9612-1707-02	9612-1707-02	9612-1707-02	9612-1707-02
9	1	Thrust plate (Period 9907-)....	9612-6075-01	9612-6075-01	9612-6075-01	9612-6075-01
	1	Thrust plate (Period -9907)....	9612-1716-01	9612-1716-01	9612-1716-01	9612-1716-01
10	1	Clamping nut (Period 9907-) ..	9612-6077-01	9612-6077-01	9612-6077-01	9612-6077-01
	1	Clamping nut (Period -9907) ..	9612-1708-02	9612-1708-02	9612-1708-02	9612-1708-02
11	1	Clip (Period 9907-)	9611-99-0704	9611-99-0704	9611-99-0704	9611-99-0704

Recommended spare parts: Pos. 3.

TD 900-226

Oval Manhole Cover 450 x 350 Type LKDP

12



TD 501-015

Oval Manhole Cover 450 x 350 Type LKDP

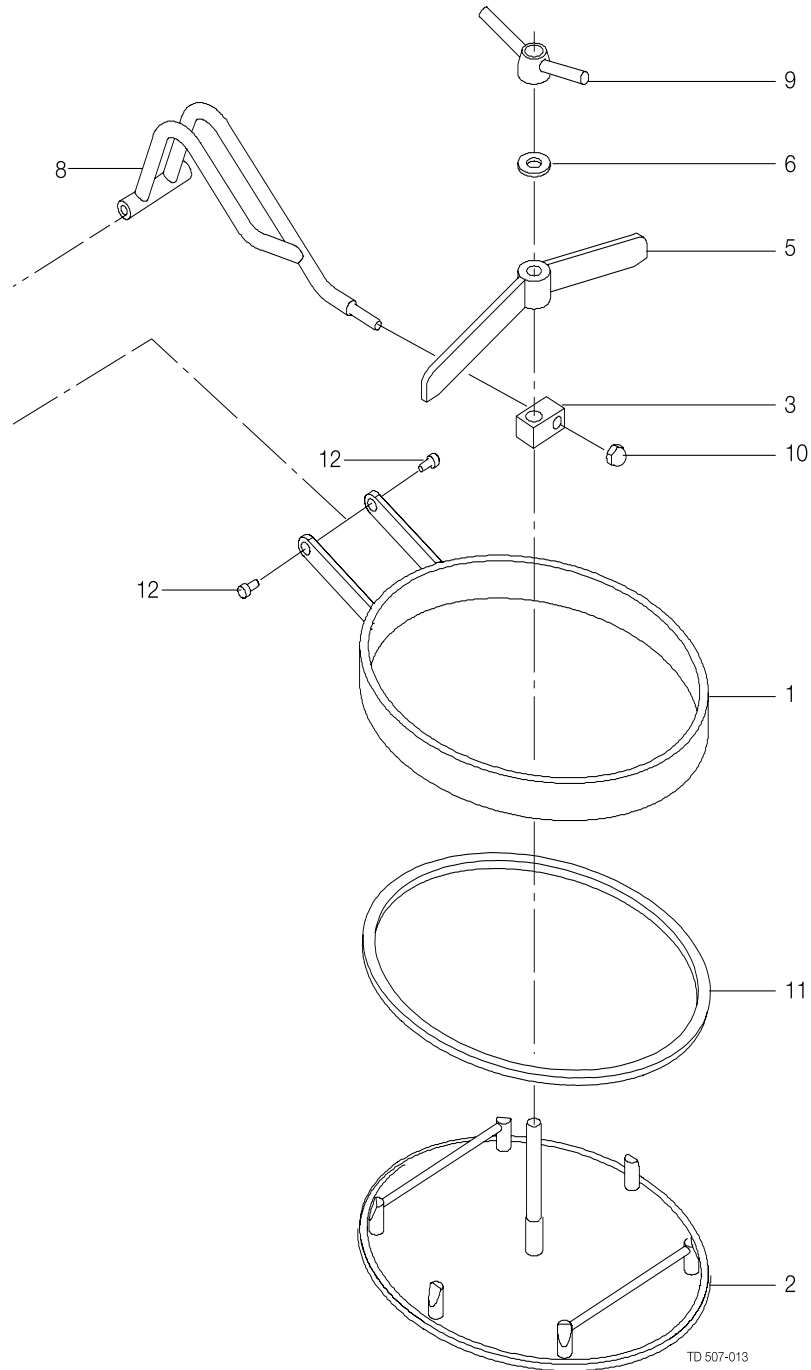
Pos.	Qty.	Denomination	With angle shaped frame and left-hand hinge		With flat frame and left-hand hinge	
			1. 4301	1. 4571	1. 4301	1. 4571
1	1	Frame 70x3.....	9612-1768-01	9612-1768-02		
	1	Frame 70x4.....	9612-1768-03	9612-1768-04		
	1	Frame 100x3.....	9612-1768-05	9612-1768-06		
	1	Frame 100x4.....	9612-1768-07	9612-1768-08		
	1	Frame 140x3.....	9612-1768-09	9612-1768-10		
	1	Frame 140x4.....	9612-1768-11	9612-1768-12		
	1	Frame 10x30.....			9612-1767-01	9612-1767-02
	1	Frame 12x30.....			9612-1767-03	9612-1767-04
2	1	Cover 3 mm (Period 9907-).....	9612-6072-05	9612-6072-06	9612-6072-05	9612-6072-06
	1	Cover 3 mm (Period -9907).....	9612-1766-01	9612-1766-02	9612-1766-01	9612-1766-02
	1	Cover 4 mm (Period 9907-).....	9612-6072-07	9612-6072-08	9612-6072-07	9612-6072-08
	1	Cover 4 mm (Period -9907).....	9612-1766-03	9612-1766-04	9612-1766-03	9612-1766-04
3	1	Seal, NBR (Std.).....	9612-1710-04	9612-1710-04	9612-1710-04	9612-1710-04
	1	Seal, EPDM.....	9612-1710-03	9612-1710-03	9612-1710-03	9612-1710-03
	1	Seal, FPM.....	9612-1710-02	9612-1710-02	9612-1710-02	9612-1710-02
	1	Seal, Q.....	9612-1710-01	9612-1710-01	9612-1710-01	9612-1710-01
4	1	Suspension arm.....	9612-1715-01	9612-1715-01	9612-1715-01	9612-1715-01
5	1	Hub (Period 9907-).....	9612-6076-01	9612-6076-01	9612-6076-01	9612-6076-01
	1	Hub (Period -9907).....	9612-1718-02	9612-1718-02	9612-1718-02	9612-1718-02
6	1	Nut.....	9611-99-1761	9611-99-1761	9611-99-1761	9611-99-1761
7	2	Screw.....	9611-99-1760	9611-99-1760	9611-99-1760	9611-99-1760
8	1	Toggle (Period 9907-).....	9612-6067-01	9612-6067-01	9612-6067-01	9612-6067-01
	1	Toggle (Period -9907).....	9612-1707-02	9612-1707-02	9612-1707-02	9612-1707-02
9	1	Thrust plate (Period 9907-).....	9612-6075-01	9612-6075-01	9612-6075-01	9612-6075-01
	1	Thrust plate (Period -9907).....	9612-1716-02	9612-1716-02	9612-1716-02	9612-1716-02
10	1	Clamping nut (Period 9907-).....	9612-6077-01	9612-6077-01	9612-6077-01	9612-6077-01
	1	Clamping nut (Period -9907).....	9612-1708-02	9612-1708-02	9612-1708-02	9612-1708-02
11	1	Clip (Period 9907-).....	9611-99-0704	9611-99-0704	9611-99-0704	9611-99-0704

Recommended spare parts: Pos. 3.

TD 900-227

Oval Manhole Cover 510 x 410 Type LKTD & LKTDI

14



TD 507-013

Oval Manhole Cover 510 x 410 Type LKTD & LKTDI

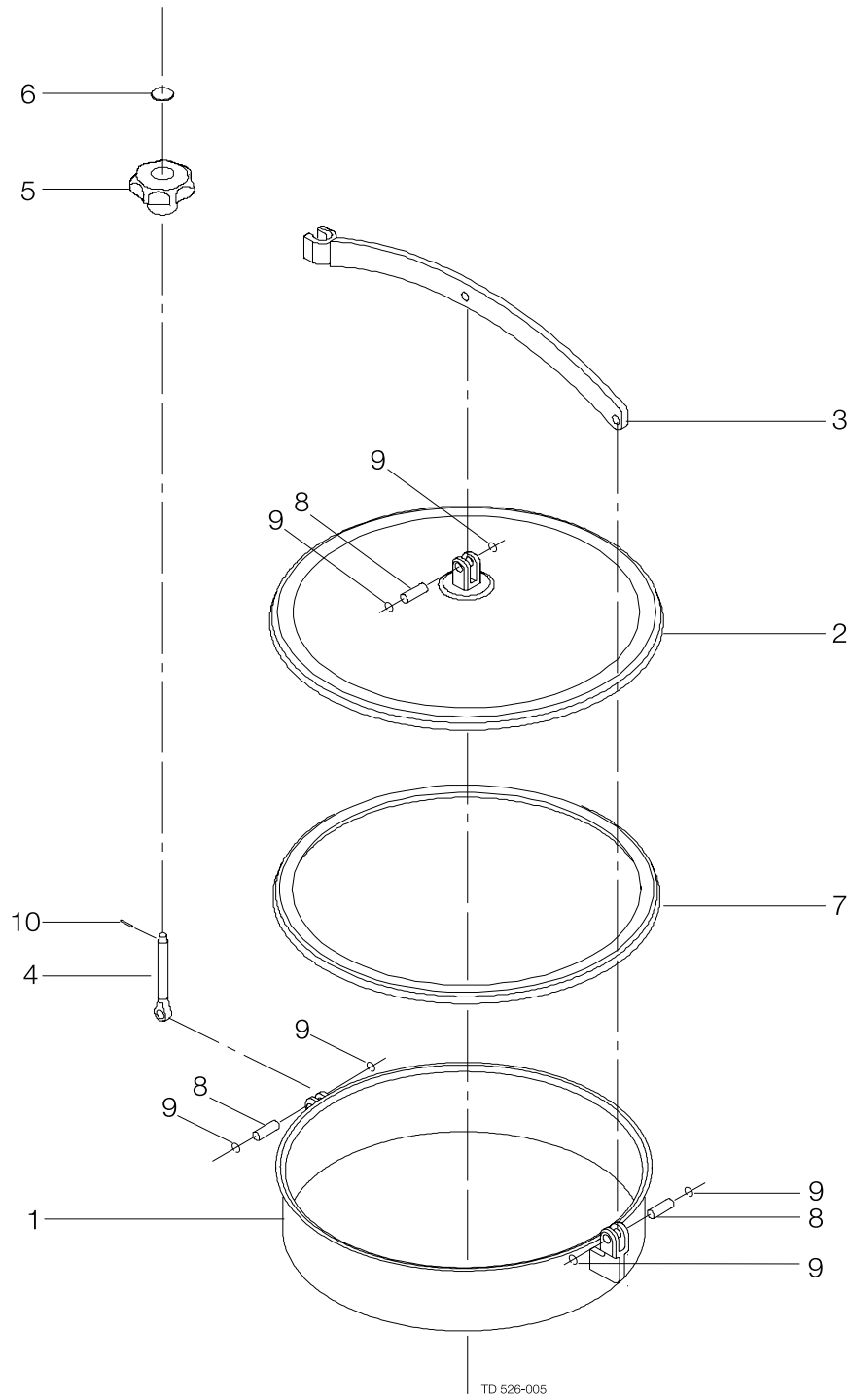
Pos.	Qty.	Denomination	LKTD	LKTD	LKTDI	LKTDI
			1.4301 10 mm cover	1.4301 15 mm cover	1.4301 10 mm cover	1.4301 15 mm cover
1	1	Frame (Period 9907-)	9612-6053-01	9612-6053-01	9612-6054-01	9612-6054-01
	1	Frame (Period -9907)	9611-70-2003	9611-70-2003	9611-70-082-0	9611-70-082-0
2	1	Cover (Period 9907-)	9612-6074-01	9612-6074-03	9612-6074-01	9612-6074-03
	1	Cover (Period -9907)	9611-70-2017	9611-70-2018	9611-70-2017	9611-70-2018
3	1	Hub (Period 9907-)	9612-6076-02	9612-6076-02	9612-6076-02	9612-6076-02
	1	Hub (Period -9907)	9611-70-2038	9611-70-2038	9611-70-2038	9611-70-2038
4	1	Toggle (Period 9907-)	9612-6065-01	9612-6065-01	9612-6066-01	9612-6066-01
	1	Toggle (Period -9907)	9611-70-2046	9611-70-2046	9611-70-2048	9611-70-2048
5	1	Trust collar (Period 9907-)	9612-6075-01	9612-6075-01	9612-6075-01	9612-6075-01
	1	Trust collar (Period -9907)	9611-70-2055	9611-70-2055	9611-70-2055	9611-70-2055
6	1	Top nut (Period 9907-)	9612-6077-01	9612-6077-01	9612-6077-01	9612-6077-01
	1	Top nut (Period -9907)	9611-70-2050	9611-70-2050	9611-70-2050	9611-70-2050
7	2	Screw (Period 9907-)	9611-99-1760	9611-99-1760	9611-99-1760	9611-99-1760
	1	Bolt for hinge (Period -9907)	9611-70-2032	9611-70-2032	9611-70-2032	9611-70-2032
8	1	Suspension arm, left (Period 9907-)	9612-6049-01	9612-6049-01	9612-6050-01	9612-6050-01
	1	Suspension arm, left (Period -9907)	9611-70-2034	9611-70-2034	9611-70-085-0	9611-70-085-0
9	1	Clip (Period 9907-)	9611-99-0704	9611-99-0704	9611-99-0704	9611-99-0704
	1	Stop screw (Period -9907)	9611-70-2054	9611-70-2054	9611-70-2054	9611-70-2054
10	1	Nut (Period 9907-)	9611-99-1761	9611-99-1761	9611-99-1761	9611-99-1761
	3	Nut (Period -9907)	9611-99-0211	9611-99-0211	9611-99-0211	9611-99-0211
11	1	Seal, NBR (Std.)	9611-70-2071	9611-70-2071	9611-70-2071	9611-70-2071
	1	Seal, EPDM	9611-70-160-0	9611-70-160-0	9611-70-160-0	9611-70-160-0
	1	Seal, FPM	9611-70-160-2	9611-70-160-2	9611-70-160-2	9611-70-160-2
	1	Seal, Silicone (Q)	9611-70-160-4	9611-70-160-4	9611-70-160-4	9611-70-160-4

Pos.	Qty.	Denomination	LKTD	LKTD	LKTDI	LKTDI
			1.4404 10 mm cover	1.4404 15 mm cover	1.4404 10 mm cover	1.4404 15 mm cover
1	1	Frame (Period 9907-)	9612-6053-02	9612-6053-02	9612-6054-02	9612-6054-02
	1	Frame (Period -9907)	9611-70-2144	9611-70-2144	9611-70-082-1	9611-70-082-1
2	1	Cover (Period 9907-)	9612-6074-02	9612-6074-04	9612-6074-02	9612-6074-04
	1	Cover (Period -9907)	9611-70-2155	9611-70-2159	9611-70-2155	9611-70-2159
3	1	Hub (Period 9907-)	9612-6076-02	9612-6076-02	9612-6076-02	9612-6076-02
	1	Hub (Period -9907)	9611-70-2038	9611-70-2038	9611-70-2038	9611-70-2038
4	1	Toggle (Period 9907-)	9612-6065-01	9612-6065-01	9612-6066-01	9612-6066-01
	1	Toggle (Period -9907)	9611-70-2046	9611-70-2046	9611-70-2048	9611-70-2048
5	1	Trust collar (Period 9907-)	9612-6075-01	9612-6075-01	9612-6075-01	9612-6075-01
	1	Trust collar (Period -9907)	9611-70-2055	9611-70-2055	9611-70-2055	9611-70-2055
6	1	Top nut (Period 9907-)	9612-6077-01	9612-6077-01	9612-6077-01	9612-6077-01
	1	Top nut (Period -9907)	9611-70-2050	9611-70-2050	9611-70-2050	9611-70-2050
7	2	Screw (Period 9907-)	9611-99-1760	9611-99-1760	9611-99-1760	9611-99-1760
	1	Bolt for hinge (Period -9907)	9611-70-2032	9611-70-2032	9611-70-2032	9611-70-2032
8	1	Suspension arm, left (Period 9907-)	9612-6049-01	9612-6049-01	9612-6050-01	9612-6050-01
	1	Suspension arm, left (Period -9907)	9611-70-2034	9611-70-2034	9611-70-085-0	9611-70-085-0
9	1	Clip (Period 9907-)	9611-99-0704	9611-99-0704	9611-99-0704	9611-99-0704
	1	Stop screw (Period -9907)	9611-70-2054	9611-70-2054	9611-70-2054	9611-70-2054
10	1	Nut (Period 9907-)	9611-99-1761	9611-99-1761	9611-99-1761	9611-99-1761
	3	Nut (Period -9907)	9611-99-0211	9611-99-0211	9611-99-0211	9611-99-0211
11	1	Seal, NBR (Std.)	9611-70-2071	9611-70-2071	9611-70-2071	9611-70-2071
	1	Seal, EPDM	9611-70-160-0	9611-70-160-0	9611-70-160-0	9611-70-160-0
	1	Seal, FPM	9611-70-160-2	9611-70-160-2	9611-70-160-2	9611-70-160-2
	1	Seal, Silicone (Q)	9611-70-160-4	9611-70-160-4	9611-70-160-4	9611-70-160-4

Recommended spare parts: Pos. 11.

Manhole Cover Type LKDC

16



Manhole Cover Type LKDC

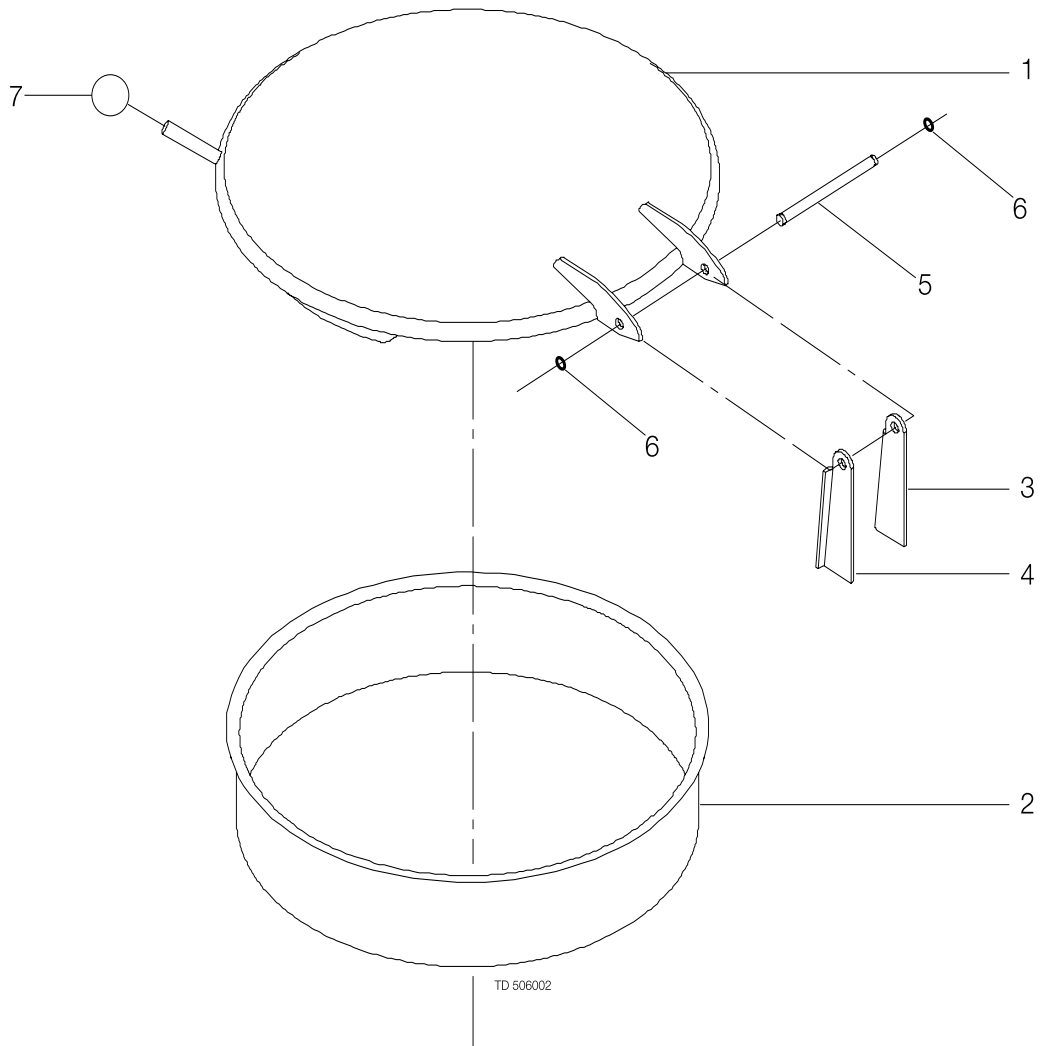
Pos.	Qty.	Denomination	DN 200	DN 300	DN 430	DN 500	DN 620
1	1	Frame 85 mm (1.4301).....	9612-3435-01				
	1	Frame 85 mm (1.4404).....	9612-3435-02				
	1	Frame 100 mm (1.4301).....			9611-70-054-0	9611-70-127-0	9612-4982-01
	1	Frame 100 mm (1.4404).....			9611-70-054-1	9611-70-127-1	9612-4982-02
	1	Frame 150 mm (1.4301).....		9612-3442-01			
	1	Frame 150 mm (1.4404).....		9612-3442-02			
	1	Frame 200 mm (1.4301).....			9611-70-409-1	9611-70-412-1	9612-4982-03
	1	Frame 200 mm (1.4404).....			9611-70-409-2	9611-70-412-2	9612-4982-04
2	1	Cover (1.4301)	9612-3433-01	9612-3440-01	9611-70-210-2	9611-70-129-0	9612-4980-02
	1	Cover (1.4404)	9612-3433-02	9612-3440-02	9611-73-210-2	9611-70-129-1	9612-4980-01
3	Toggle	9612-3437-01	9612-3444-01	9611-70-056-0	9611-70-131-0	9612-4978-01	
4	Swing bolt	9611-70-059-0	9611-70-059-0	9611-70-059-0	9611-70-059-0	9611-70-059-0	
5	1	Handle, blue (Per. 9907-).....	9611-70-063-2	9611-70-063-2	9611-70-063-2	9611-70-063-2	9611-70-063-2
	1	Handle, green (Per. -9907)	9611-70-063-0	9611-70-063-0	9611-70-063-0	9611-70-063-0	9611-70-063-0
6	1	Capsule, blue (Per. 9907-).....	9611-70-064-4	9611-70-064-4	9611-70-064-4	9611-70-064-4	9611-70-064-4
	1	Capsule, green (Per. -9907)...	9611-70-064-0	9611-70-064-0	9611-70-064-0	9611-70-064-0	9611-70-064-0
7	1	Seal, NBR (Standard)	9612-3179-01	9612-3180-01	9611-70-045-0	9611-70-125-0	9612-5128-02
	1	Seal, EPDM.....	9612-3179-02	9612-3180-02	9611-70-045-1	9611-70-125-1	9612-5128-01
	1	Seal, FPM	9612-3179-03	9612-3180-03	9611-70-045-2	9611-70-125-2	9612-5128-03
8	3	Pin	9611-70-210-5	9611-70-210-5	9611-70-210-5	9611-70-210-5	9611-70-210-5
9	6	Lock ring, EPDM	9611-99-3309	9611-99-3309	9611-99-3309	9611-99-3309	9611-99-3309
10	1	Connex-pin	9611-99-0561	9611-99-0561	9611-99-0561	9611-99-0561	9611-99-0561

Recommended spare parts: Pos. 7.

TD 900-229

Round Dust Manhole Cover Type LKDS

18



Round Dust Manhole Cover Type LKDS

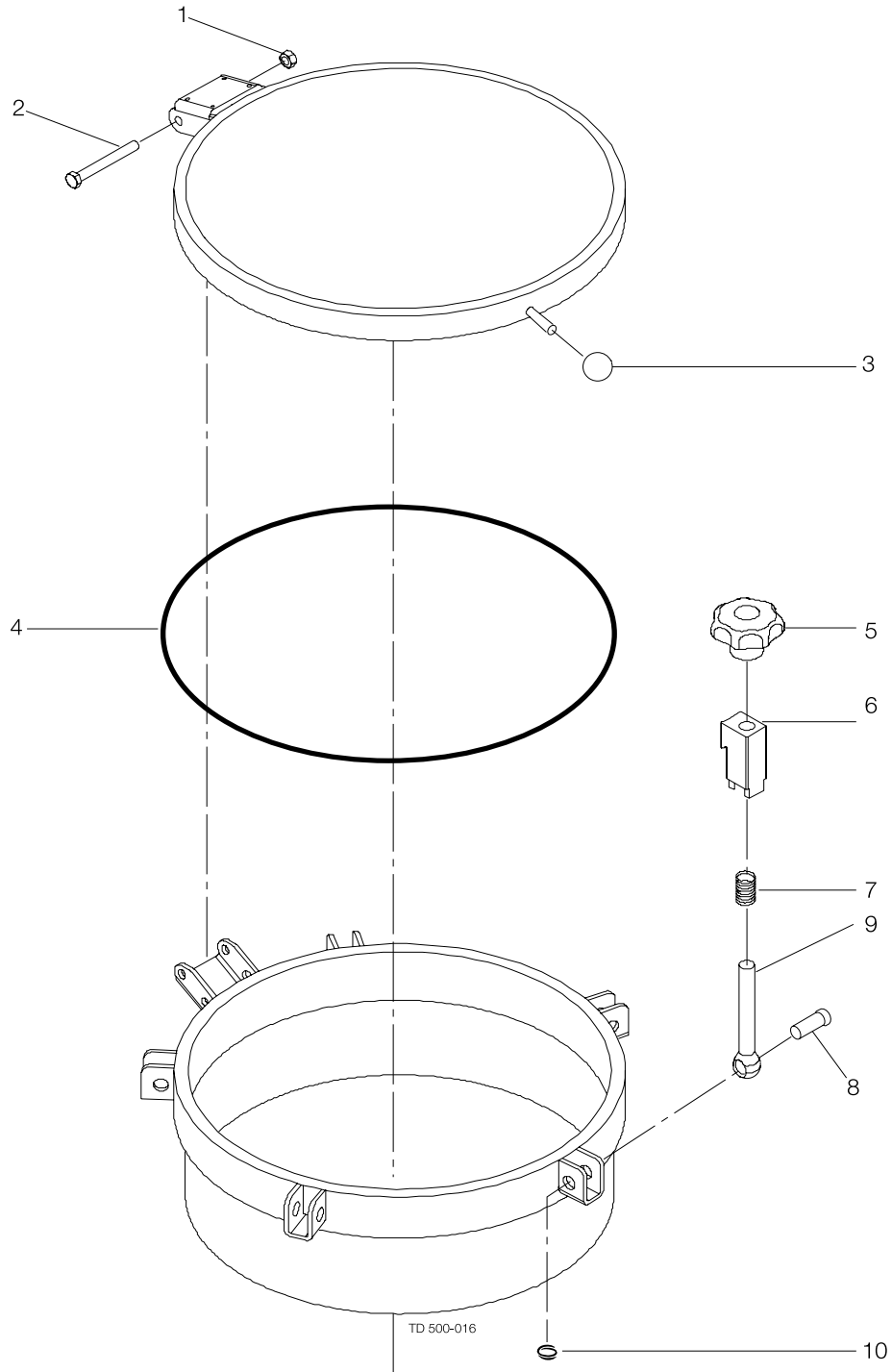
Pos.	Qty.	Denomination	9611-70-097-0 20 mm Frame 1.4301	9611-70-097-1 20 mm Frame 1.4404
1	1	Cover	32010-1290-1	32010-1290-2
2	1	Frame 20 mm	32010-0764-1	32010-0764-2
3	1	Left hinge ear	32010-0918-1	32010-0918-1
4	1	Right hinge ear	32010-0919-1	32010-0919-1
5	1	Pin for handle	32010-0761-1	32010-0761-1
6	2	O-ring	9611-99-2677	9611-99-2677
7	1	Ball handle	9612-2899-01	9612-2899-01

Pos.	Qty.	Denomination	9612-1726-01 100 mm Frame 1.4301	9612-1726-02 100 mm Frame 1.4404
1	1	Cover	32010-1290-1	32010-1290-2
2	1	Frame 100 mm	9612-1727-01	9612-1727-02
3	1	Left hinge ear	9612-3590-02	9612-3590-02
4	1	Right hinge ear	9612-3590-01	9612-3590-01
5	1	Pin for handle	32010-0761-1	32010-0761-1
6	2	O-ring	9611-99-2677	9611-99-2677
7	1	Ball handle	9612-2899-01	9612-2899-01

TD 900-231

Manhole Cover Type HLSD

20



Manhole Cover Type HLSD

Pos.	Qty.	Denomination
1	1	Nut.....221891-15
2	1	Screw9611-99-2790
3	1	Ball handle9611-99-1970
5		Handle (plast).....9611-70-067-1
		Handle (steel)9612-5600-01
6		Hub DN200-DN8009612-1747-01
7		Spring9612-1751-01
8		Pin9612-1750-01
9		Swing bolt.....9612-1739-01
10		Ring pin9611-99-2843

Pos.	Qty.	Denomination	ø200	ø300	ø400	ø450
4	1	Seal - silicone (Q)	9611-99-2862	9611-99-2867	9611-99-2054	9611-99-2059
	1	Seal - EPDM	9611-99-2137	9611-99-2868	9611-99-2055	9611-99-2060
	1	Seal - FPM	9611-99-2138	9611-99-2869	9611-99-2056	9611-99-2061
	1	Seal - NBR.....	9611-99-2139	9611-99-2870	9611-99-2057	9611-99-2062
	1	Seal - FEP.....	9611-99-2866	9611-99-2871	9611-99-2058	9611-99-2063

Pos.	Qty.	Denomination	ø500	ø620	ø800
4	1	Seal - silicone (Q)	9611-99-2064	9611-99-2069	9611-99-2872
	1	Seal - EPDM	9611-99-2065	9611-99-2070	9611-99-2873
	1	Seal - FPM.....	9611-99-2066	9611-99-2071	9611-99-2874
	1	Seal - NBR.....	9611-99-2067	9611-99-2072	9611-99-2875
	1	Seal - FEP.....	9611-99-2068	9611-99-2073	9611-99-2876

Recommended spare Parts: Pos. 4.

TD 900-232

How to contact Alfa Laval

Contact details for all countries are continually updated on our website. Please visit www.alfalaval.com to access the information direct.

The information contained herein is correct at the time of issue but may be subject to change without prior notice.