



Spare Parts

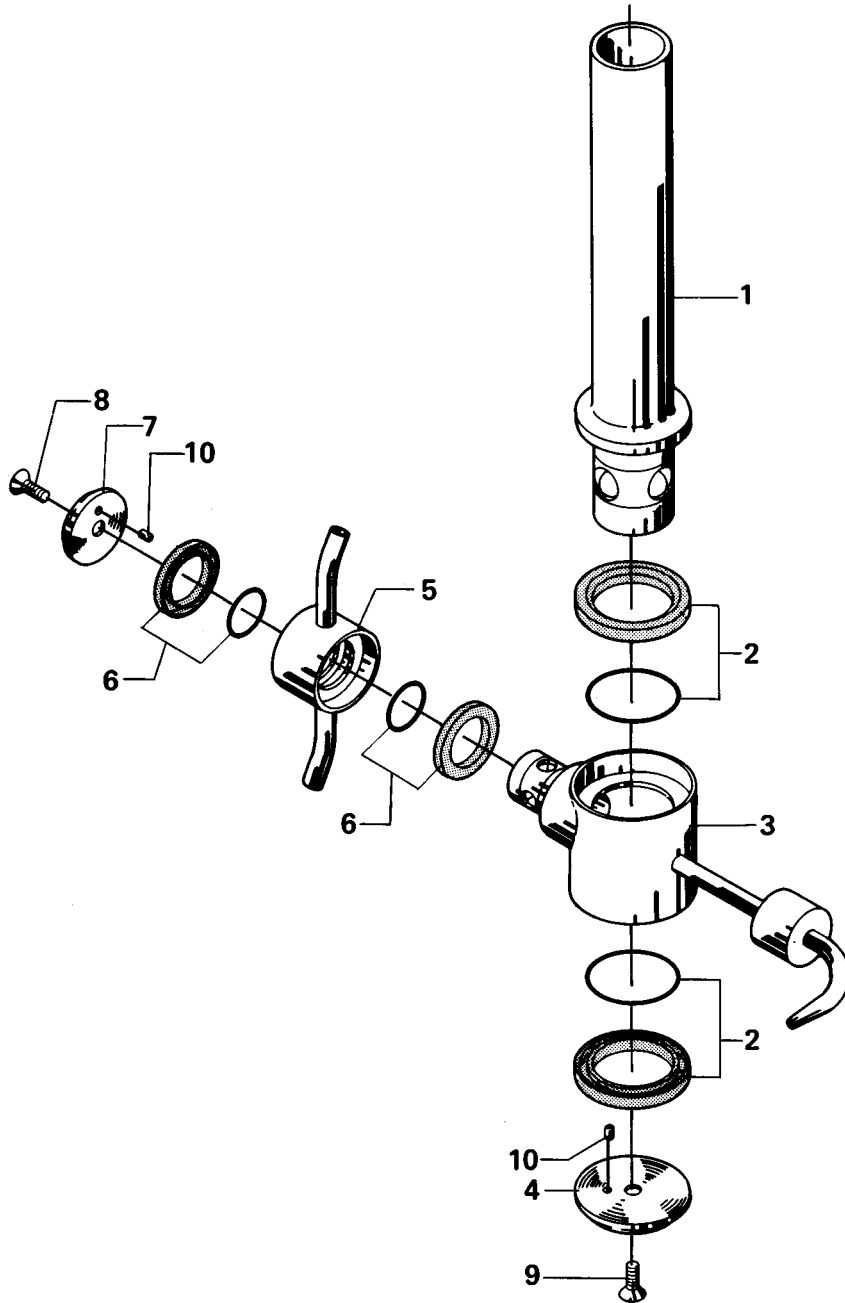
LKTA and LKTB Cleaning Turbines



SP70861-GB1 2002-11

Cleaning Turbine Type LKTA

2



Cleaning Turbine Type LKTA

AISI 304

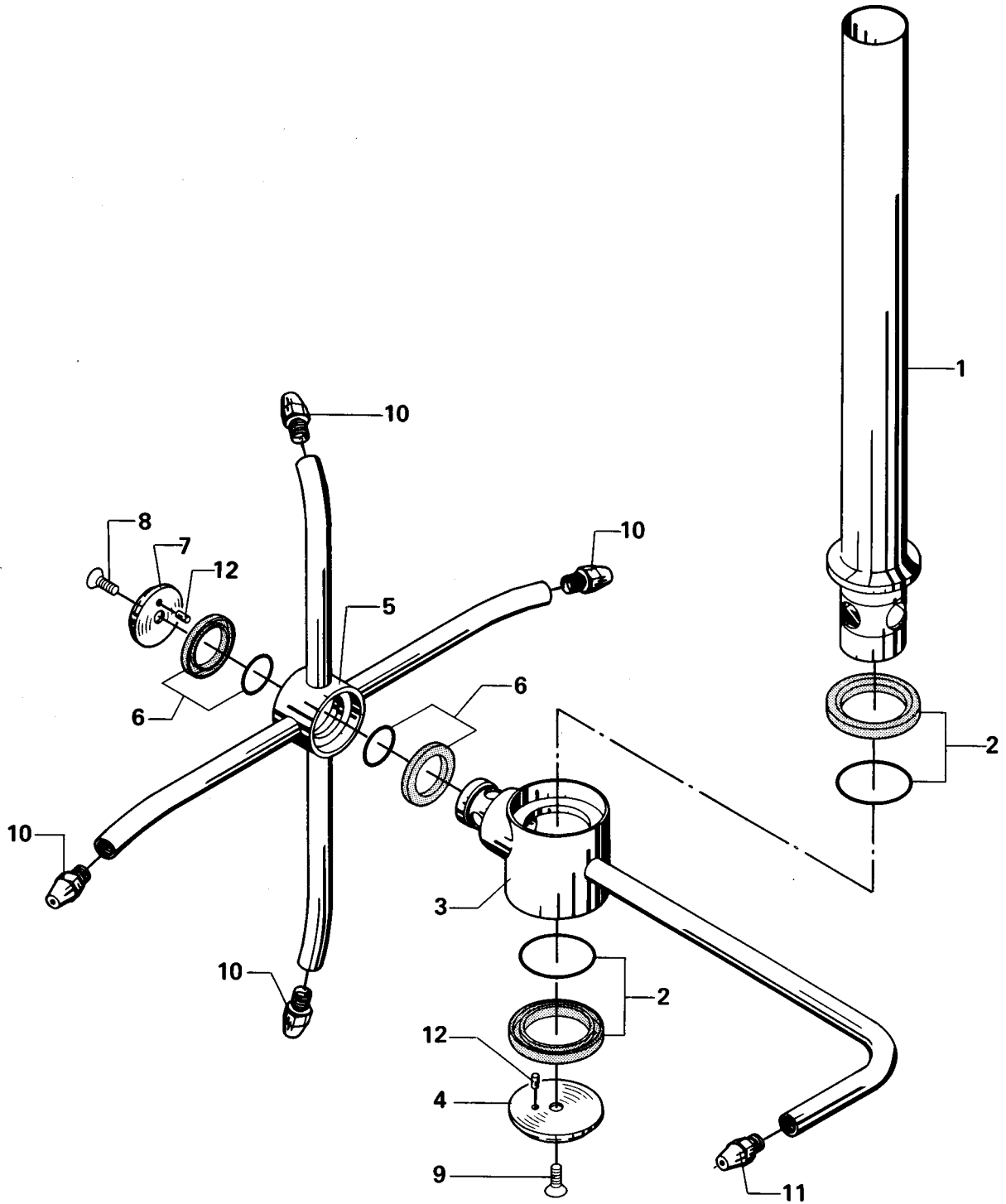
Pos.	Qty.	Denomination	31618-0050-2
1	1	Admission pipe	9611-71-057-0
2Δ	2	Seal ring	31618-0025-1
3	1	House	9611-71-060-0
4	1	End cover	9611-71-068-0
5	1	Rotor	31618-0049-1
6Δ	2	Seal ring	31618-0026-1
7	1	Rotor cover	9611-71-071-0
8	1	Screw	9611-99-1148
9	1	Screw	9611-99-1149
10	2	Pin	9611-71-067-0
Δ		Service kit.....	9611-92-5001

Parts marked with Δ are included in the **Service kit**.

Recommende spare parts: **Service kit**.

Cleaning Turbine Type LKTB

4



Cleaning Turbine Type LKTB

AISI 304

Pos.	Qty.	Denomination	31618-0044-2
1	1	Admission pipe	9611-71-057-2
2 Δ	2	Seal ring	31618-0025-1
3	1	Cleaning turbine house	9611-71-075-0
4	1	End cover	9611-71-068-0
5	1	Rotor	31618-0030-1
6 Δ	2	Seal ring	31618-0026-1
7	1	Rotor cover	9611-71-071-0
8	1	Screw	9611-99-1148
9	1	Screw	9611-99-1149
10	4	Nozzel	31618-0039-1
11	1	Nozzle	31618-0040-1
12	2	Pin	9611-71-067-0
Δ		Service kit.....	9611-92-5001

Parts marked with Δ are included in the **Service kit**.

Recommende spare parts: **Service kit**.

How to contact Alfa Laval
Contact details for all countries are
continually updated on our website.
Please visit www.alfalaval.com to
access the information direct.