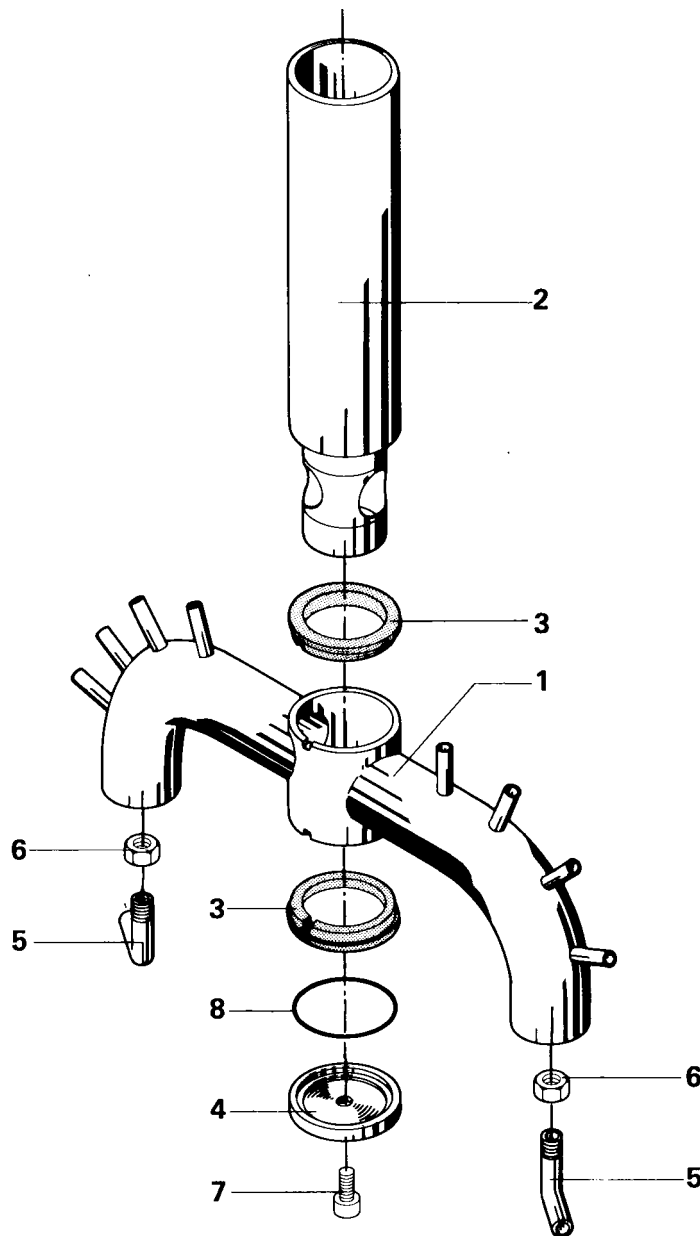


Heavy Duty Turbine
Type LKHD-U

Not manufactured anymore



Reg. 1.32.8	9805
Intro.	8301

Heavy Duty Turbine Type LKHD-U

AISI 304

Pos.	Qty.	Denomination	9611-71-0033
1	1	Turbine pipe	9611-71-2054
2	1	Axle pin	9611-71-2066
3	2	Bearing - Fluorsint	9611-71-2061
4	1	Cover	9611-71-2062
5	2	Nozzle	9611-71-2063
6	2	Nut	9611-99-1182
7	1	Allen screw	9611-99-0461
8	1	O-ring	9611-99-0077

Not manufactured anymore

Recommende spare parts: Pos. 3, 8.

Reg. 1.32.8	9805
Intro.	8301