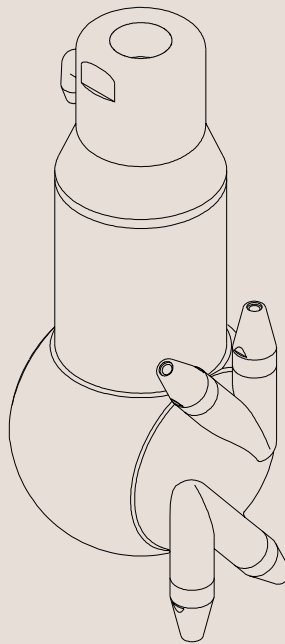




Spare Parts

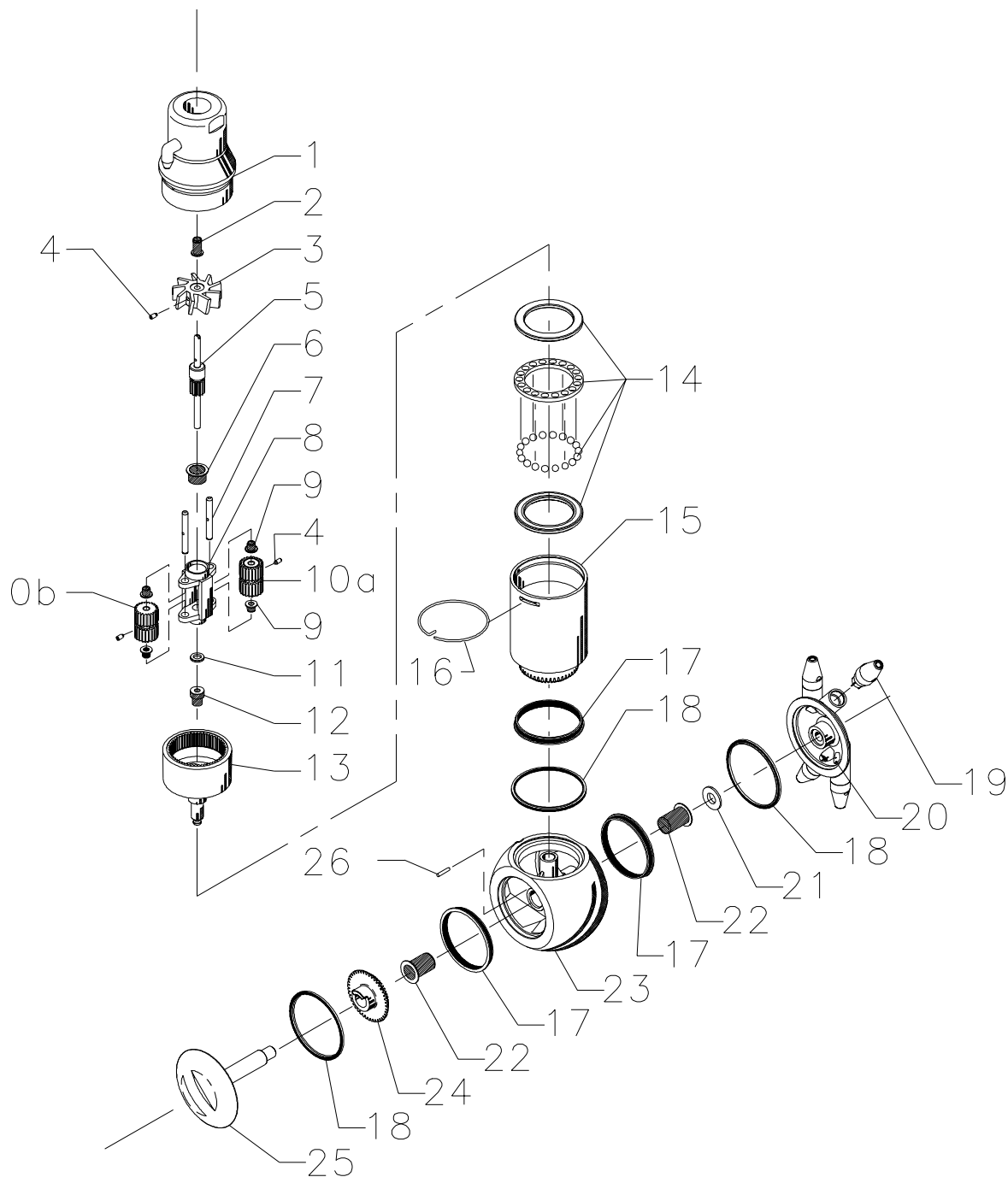
ALjet Rotary Jet Head



SP70819-GB1 2002-11

Rotary Jet Head Type ALjet

2



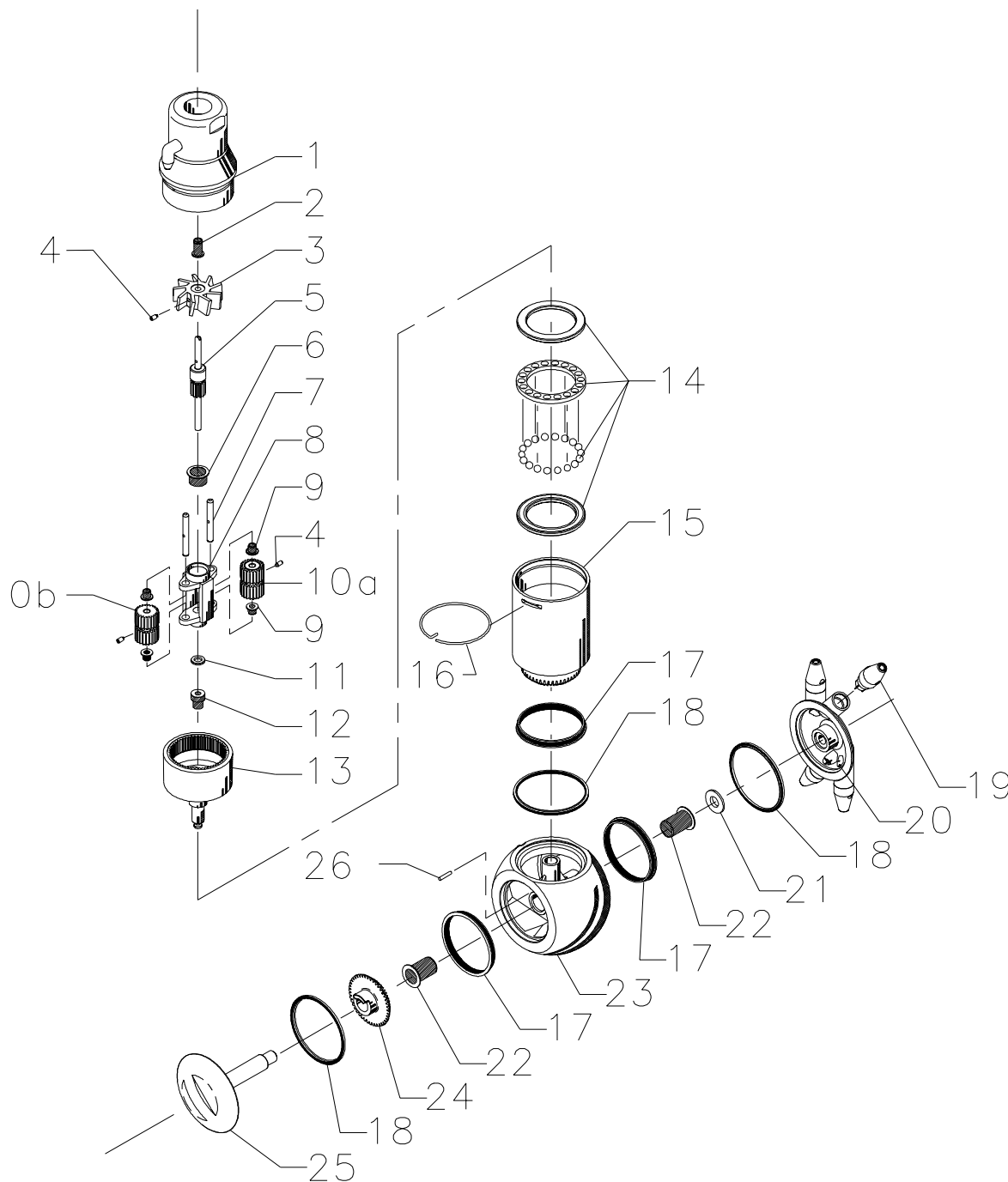
Rotary Jet Head Type ALjet

	8xØ3	4xØ4	8xØ4	4xØ5	8xØ5
Complete no. BSP female:	9612-5840-01	9612-5840-03	9612-5840-05	9612-5840-07	9612-5840-09
Complete no. NPT female:	9612-5840-02	9612-5840-04	9612-5840-06	9612-5840-08	9612-5840-10
Approx. RPM at 5 bar	4.8	4.8	4	4.8	4

Pos.	Qty.	Denomination					
1	1	Inlet connection, 1" BSP female	9612-9239-05	9612-9239-05	9612-9239-01	9612-9239-01	
1	1	Inlet connection, 1" NPT female	9612-9239-06	9612-9239-06	9612-9239-02	9612-9239-02	
1	1	Inlet connection, 1½" BSP female					9612-9239-03
1	1	Inlet connection, 1½" NPT female					9612-9239-04
2Δ	1	Stator bush	9612-5804-01	9612-5804-01	9612-5804-01	9612-5804-01	9612-5804-01
3	1	Turbine, full curve (incl. pos. 4)	9612-5805-01	9612-5805-01			
	1	Turbine, 15 deg. pos. (incl. pos. 4)					
	1	Turbine, flat (incl. pos. 4)			9612-5807-01	9612-5806-01	9612-5807-01
	1	Turbine, 15 deg. neg. (incl. pos. 4)					
4	3	Hollow set screw	9611-99-3469	9611-99-3469	9611-99-3469	9611-99-3469	9611-99-3469
5	1	Turbine shaft	9612-5813-01	9612-5813-01	9612-5813-01	9612-5813-01	9612-5813-01
6Δ	1	Cartridge bush	9612-5809-01	9612-5809-01	9612-5809-01	9612-5809-01	9612-5809-01
7	2	Planet gear shaft	9612-5812-01	9612-5812-01	9612-5812-01	9612-5812-01	9612-5812-01
8	1	Cartridge	9612-5810-01	9612-5810-01	9612-5810-01	9612-5810-01	9612-5810-01
9Δ	4	Planet gear bush	9612-5811-01	9612-5811-01	9612-5811-01	9612-5811-01	9612-5811-01
10a	1	Planet gear, aligned (incl. pos. 4)	9612-5815-01	9612-5815-01	9612-5815-01	9612-5815-01	9612-5815-01
10b	1	Planet gear, 1/2 tooth displaced	9612-5815-02	9612-5815-02	9612-5815-02	9612-5815-02	9612-5815-02
		(incl. pos. 4)					
11	1	Thrust washer	9612-5832-01	9612-5832-01	9612-5832-01	9612-5832-01	9612-5832-01
12Δ	1	Spider bush	9612-5814-01	9612-5814-01	9612-5814-01	9612-5814-01	9612-5814-01
13	1	Spider	9612-5818-01	9612-5818-01	9612-5818-01	9612-5818-01	9612-5818-01
14	1	Thrust bearing assembly	9612-5831-01	9612-5831-01	9612-5831-01	9612-5831-01	9612-5831-01
15	1	Shell	9612-5817-01	9612-5817-01	9612-5817-01	9612-5817-01	9612-5817-01
16	1	Spring clip	9612-5833-01	9612-5833-01	9612-5833-01	9612-5833-01	9612-5833-01
17	3	Seal insert	9612-5820-01	9612-5820-01	9612-5820-01	9612-5820-01	9612-5820-01
18Δ	3	Seal	9612-5819-01	9612-5819-01	9612-5819-01	9612-5819-01	9612-5819-01
19	8	Nozzle ID Ø3	9612-5816-01				
	4	Nozzle ID Ø4		9612-5816-02			
	8	Nozzle ID Ø4			9612-5816-02		
	4	Nozzle ID Ø5				9612-5816-03	
	8	Nozzle ID Ø5					9612-5816-03
	4	Nozzle ID Ø6 with ext.					
	4	Nozzle ID Ø7 with ext.					
	4	Nozzle ID Ø8 with ext.					
20	1	Nozzle head for 4 nozzles		9612-5827-01		9612-5827-01	
	1	Nozzle head for 8 nozzles	9612-5828-01		9612-5828-01		9612-5828-01
21	1	Washer	9612-5826-01	9612-5826-01	9612-5826-01	9612-5826-01	9612-5826-01
22Δ	2	Nozzle head bush	9612-5824-01	9612-5824-01	9612-5824-01	9612-5824-01	9612-5824-01
23	1	Main body	9612-5825-01	9612-5825-01	9612-5825-01	9612-5825-01	9612-5825-01
24	1	Bevel gear	9612-5823-01	9612-5823-01	9612-5823-01	9612-5823-01	9612-5823-01
25	1	Blind nozzle head	9612-5822-01	9612-5822-01	9612-5822-01	9612-5822-01	9612-5822-01
26Δ	1	Pin	9612-5821-01	9612-5821-01	9612-5821-01	9612-5821-01	9612-5821-01
Δ		Service kit	9611-92-5026	9611-92-5026	9611-92-5026	9611-92-5026	9611-92-5026

Rotary Jet Head Type ALjet

4



Rotary Jet Head Type ALjet

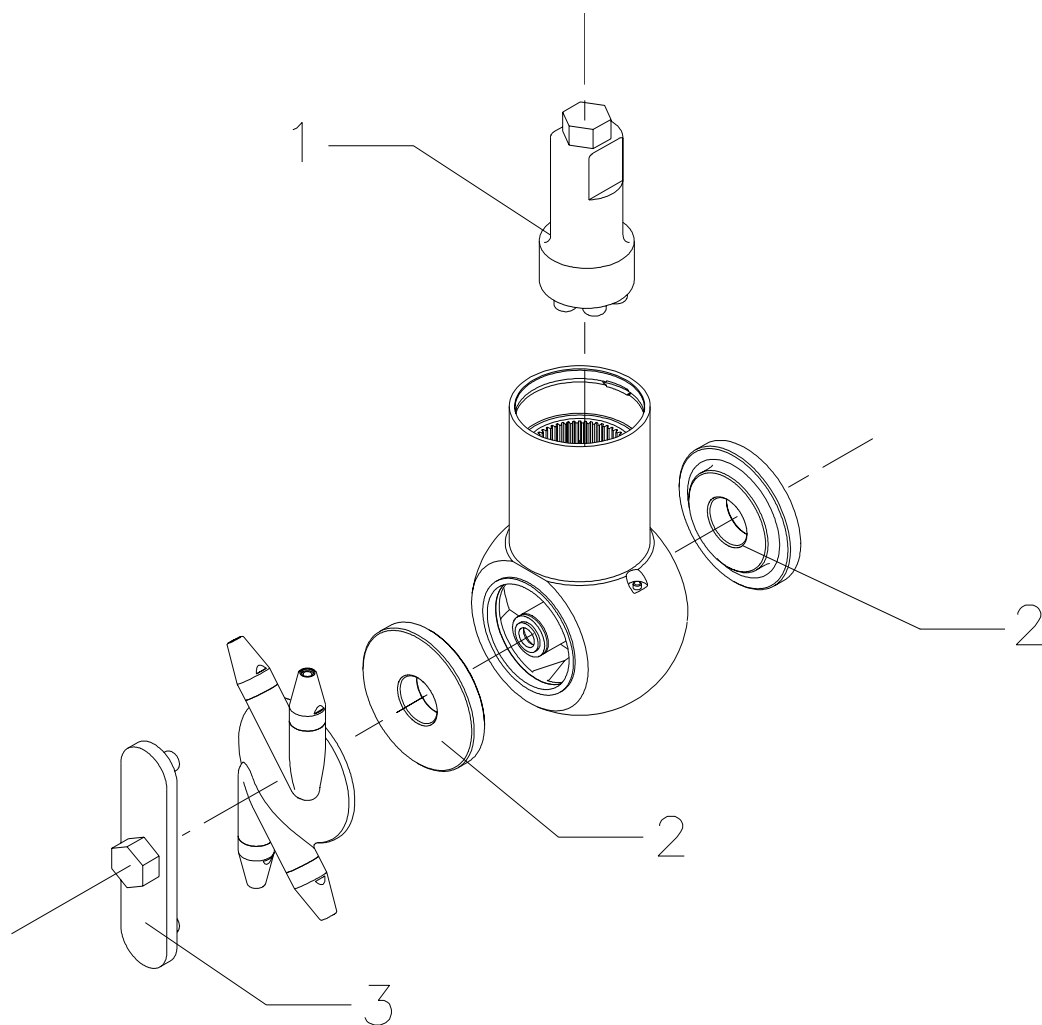
	4xØ6	4xØ7	4xØ7	4xØ8
Complete no. BSP female:	9612-5840-11	9612-5840-13	9612-5840-17	9612-5840-15
Complete no. NPT female:	9612-5840-12	9612-5840-14	9612-5840-18	9612-5840-16
Approx. RPM at 5 bar	3.2	4	2.7	3.2

Pos. Qty. Denomination

1	1	Inlet connection, 1" BSP female				
1	1	Inlet connection, 1" NPT female				
1	1	Inlet connection, 1½" BSP female	9612-5803-03	9612-5803-03	9612-5803-03	9612-5803-03
1	1	Inlet connection, 1½" NPT female	9612-5803-04	9612-5803-04	9612-5803-04	9612-5803-04
2Δ	1	Stator bush	9612-5804-01	9612-5804-01	9612-5804-01	9612-5804-01
3	1	Turbine, full curve (incl. pos. 4)				
	1	Turbine, 15 deg. pos. (incl. pos. 4) ...	9612-5806-01			
	1	Turbine, flat (incl. pos. 4)		9612-5807-01		
	1	Turbine, 15 deg. neg. (incl. pos. 4) ...			9612-5808-01	9612-5808-01
4	3	Hollow set screw	9611-99-3469	9611-99-3469	9611-99-3469	9611-99-3469
5	1	Turbine shaft	9612-5813-01	9612-5813-01	9612-5813-01	9612-5813-01
6Δ	1	Cartridge bush	9612-5809-01	9612-5809-01	9612-5809-01	9612-5809-01
7	2	Planet gear shaft	9612-5812-01	9612-5812-01	9612-5812-01	9612-5812-01
8	1	Cartridge	9612-5810-01	9612-5810-01	9612-5810-01	9612-5810-01
9Δ	4	Planet gear bush	9612-5811-01	9612-5811-01	9612-5811-01	9612-5811-01
10a	1	Planet gear, aligned (incl. pos. 4)	9612-5815-01	9612-5815-01	9612-5815-01	9612-5815-01
10b	1	Planet gear, 1/2 tooth displaced	9612-5815-02	9612-5815-02	9612-5815-02	9612-5815-02
		(incl. pos. 4)				
11	1	Thrust washer	9612-5832-01	9612-5832-01	9612-5832-01	9612-5832-01
12Δ	1	Spider bush	9612-5814-01	9612-5814-01	9612-5814-01	9612-5814-01
13	1	Spider	9612-5818-01	9612-5818-01	9612-5818-01	9612-5818-01
14	1	Thrust bearing assembly	9612-5831-01	9612-5831-01	9612-5831-01	9612-5831-01
15	1	Shell	9612-5817-01	9612-5817-01	9612-5817-01	9612-5817-01
16	1	Spring clip	9612-5833-01	9612-5833-01	9612-5833-01	9612-5833-01
17	3	Seal insert	9612-5820-01	9612-5820-01	9612-5820-01	9612-5820-01
18Δ	3	Seal	9612-5819-01	9612-5819-01	9612-5819-01	9612-5819-01
19	8	Nozzle ID Ø3				
	4	Nozzle ID Ø4				
	8	Nozzle ID Ø4				
	4	Nozzle ID Ø5				
	8	Nozzle ID Ø5				
	4	Nozzle ID Ø6 with ext.	9612-5816-04			
	4	Nozzle ID Ø7 with ext.		9612-5816-05	9612-5816-05	
	4	Nozzle ID Ø8 with ext.				9612-5816-06
20	1	Nozzle head for 4 nozzles	9612-5827-01	9612-5827-01	9612-5827-01	9612-5827-01
	1	Nozzle head for 8 nozzles				
21	1	Washer	9612-5826-01	9612-5826-01	9612-5826-01	9612-5826-01
22Δ	2	Nozzle head bush	9612-5824-01	9612-5824-01	9612-5824-01	9612-5824-01
23	1	Main body	9612-5825-01	9612-5825-01	9612-5825-01	9612-5825-01
24	1	Bevel gear	9612-5823-01	9612-5823-01	9612-5823-01	9612-5823-01
25	1	Blind nozzle head	9612-5822-01	9612-5822-01	9612-5822-01	9612-5822-01
26Δ	1	Pin	9612-5821-01	9612-5821-01	9612-5821-01	9612-5821-01
Δ		Service kit	9611-92-5026	9611-92-5026	9611-92-5026	9611-92-5026

Tool Set for Rotary Jet Head Type ALjet

6



Tool Set for Rotary Jet Head Type ALjet

Pos.	Qty.	Denomination	9612-5930-01
1	1	Service tool	9612-5841-01
2	1	Service plates	9612-5842-01
3	1	Nozzle head tool	9612-5843-01

How to contact Alfa Laval
Contact details for all countries are
continually updated on our website.
Please visit www.alfalaval.com to
access the information direct.