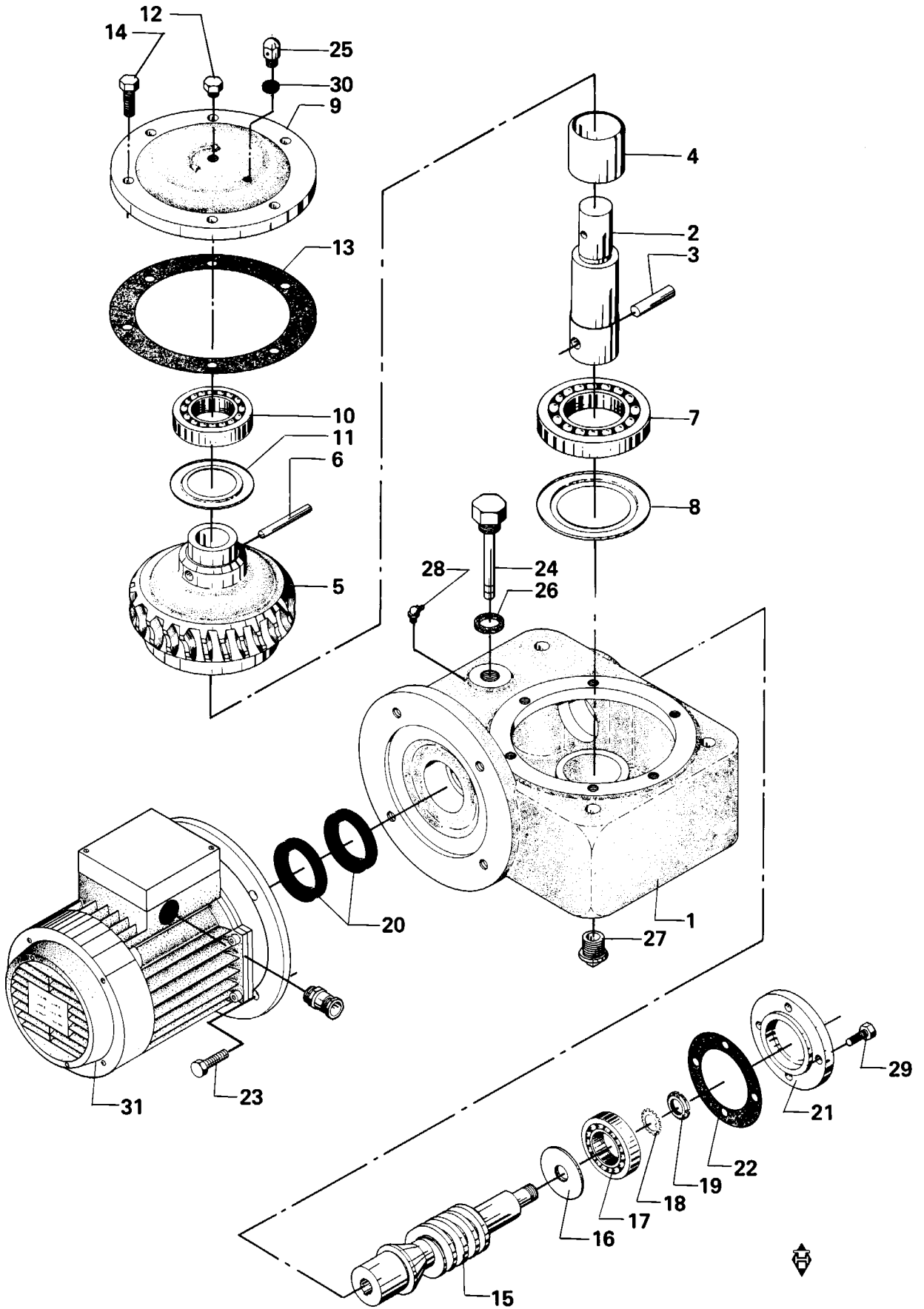


Gear Box Complete With Motor Type LKRG-2



Reg. 1.34.4	9805
Intro.	8301

Gear Box Complete With Motor Type LKRG-2

Pos.	Qty.	Denomination	9611-60-308-0
1	1	House	
2	1	Shaft	32010-1104-1
3	1	Pin	32010-0720-1
4	1	Retain ring	32010-1105-1
5*	1	Worm wheel	32010-1145-1
6	1	Pin stell	9611-99-0607
7	1	Ball Bearing	9611-99-0819
8	1	Washer	9611-99-0712
9	1	Big lid	
10	1	Ball bearing	9611-99-0818
11	1	Washer	9611-99-0711
12	1	Plug	
13	2	Seal	9611-99-0119
14	6	Screw	
15*	1	Worm shaft	32010-1775-1
16	1	Liner	32010-1008-1
17	1	Ball bearing	9611-99-0821
18	1	Locking washer	9611-99-0713
19	1	Nut	9611-99-0233
20	2	Ring	9611-99-0714
21	1	Side cover	
22	1	Seal	9611-99-0118
23	4	Screw	9611-99-0372
24	1	Dipstick	
25	1	Air-relief plug	
26	1	Seal	32010-1013-1
27	1	Plug	
28	1	Grease nipple	
29	4	Screw	
30	1	Leather seal	
31	1	Motor	31801-0032-1

* Pos 5 and 15 has to be ordered together

Not manufactured anymore

Recommended spare parts: pos. 20.

Reg. 1.34.4	2001-05
Intro.	8301