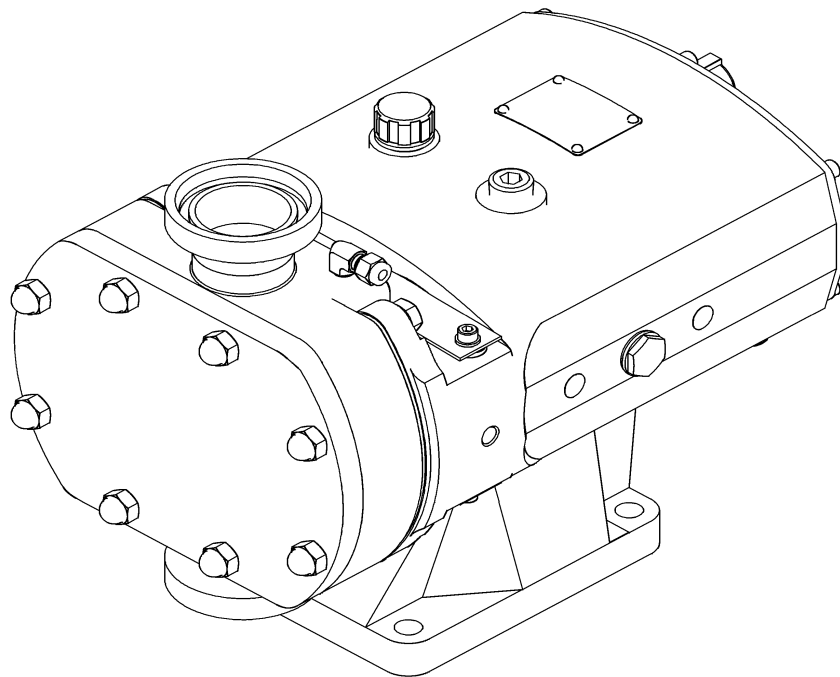


ALFA LAVAL PUMPS LTD

SX RANGE ROTARY LOBE PUMPS

SPARE PARTS LIST



Alfa Laval Pumps Ltd.
Birch Road
Eastbourne
East Sussex
England
BN23 6PQ
Telephone: +44 1323 412555
Fax: +44 1323 414515
www.alfalaval.com

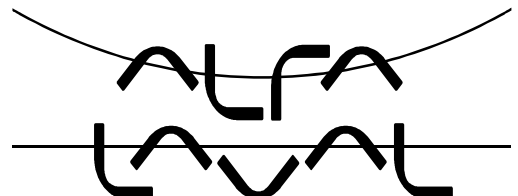


Table of contents

Page No.	Contents	Page No.	Contents
3	SX1 Pump	24	R00 Double Mech Seals (Complete) - SX1-2
4	SX1 Pump (continued)	25	R00 Double Mech Seals (Complete) - SX3-4
5	SX2 Pump	26	R00 Double Mech Seals (Complete) - SX5-7
6	SX2 Pump (continued)	27	R00 Double Mech Seal Exploded View
7	SX3 Pump	28	R00 Mechanical Seal (parts) - SX1-2
8	SX3 Pump (continued)	29	R00 Mechanical Seal (parts) - SX3-4
9	SX1-3 Pump Exploded View Drawing	30	R00 Mechanical Seal (parts) - SX5-6
10	SX4 Pump	31	R00 Mechanical Seal (parts) - SX7
11	SX4 Pump (continued)	32	Revision History
12	SX4 Pump Exploded View Drawing		
13	SX5 Pump		
14	SX5 Pump (continued)		
15	SX6 Pump		
16	SX6 Pump (continued)		
17	SX7 Pump		
18	SX7 Pump (continued)		
19	SX5-7 Pump Exploded View Drawing		
20	R00 Single Mech Seals (Complete)		
21	R00 Single Mech Seal Exploded View		
22	R00 Single Flush Mech Seals (Complete)		
23	R00 Single Flush Mech Seal Exploded View		

Notes

This publication is strictly confidential and remains the property of Alfa Laval Pumps Ltd. without whose written permission it must not be copied, reproduced or shown to third parties, and maybe subject to change without prior notice.

When identifying the spare parts required it is important to check the pump specification by referring to the pump serial number.



SX1 Pump					
Drg No.	Description		Qty	Part No.	Item No.
1	Gearcase - universal mounting (designated by U)		1	5220.511	9630070599
	Gearcase - vertically ported only (designated by H)			5220.521	9630070604
2	Dowel		2	5170.025	9630030093
3	Stud, rotorcase retention & cover retention	SX1/005	4	6350.146	9630074135
	Stud, rotorcase retention	SX1/007		6350.135	9630052259
4	Nut, rotorcase retention		4	5330.003	9630024057
4A	Washer, rotorcase retention		4	6400.036	9630024231
5	Cover, gearcase		1	5120.161	9630070842
6	Screw, gearcase cover		6	5990.045	9630030332
7	Lip seal, rear		1	5310.078	9630032806
8	Shim		1 set	6150.291	9630070818
8A	Shim retainer		2	6150.281	9630070816
8B	Screw, shim retainer		4	6000.010	9630050533
9	Rotorcase, 1" (25mm) connections	DIN11851 ISS/IDF RJT SMS Tri-clamp	1	9003.090S	9630102095
		SX1/005		9003.042S	9630102094
	Rotorcase, 1.1/2" (40mm) connections	DIN11851 ISS/IDF RJT SMS Tri-clamp	1	9003.034S	9630102096
		SX1/007		9003.074S	9630102093
				9003.082S	9630102092
				9004.276S	9630102116
				9004.318S	9630102115
				9004.342S	9630102113
				9004.253S	9630102114
				9004.274S	9630102112
10	Stud, rotorcase/cover retention	SX1/007	4	6350.135	9630052259
11	Compression Joint	FPM	1	5381.101	9630070718
		MVQ		5381.104	9630070719
		EPDM		5381.105	9630070720
12	Cover, rotorcase		1	5130.431	9630070814
13	Dome nut, rotorcase cover		4	5340.029	9630024095
14	Retainer, seal		2	5560.081	9630070802
15	Screw, seal retainer		6	5990.045	9630030332
16	Lip seal, gland end		2	5310.138	9630072343
17	Rotor, Stainless Steel	6 bar 150°C 12 bar 150°C	2	5780.005F	9630075269
		SX1/005		5780.005M	9630075270
		3 bar 150°C 7 bar 150°C		5780.007C	9630075271
		SX1/007		5780.007G	9630075272
18	O' Ring, rotor sealing shaft end	FPM	2	5380.389	9630022907
		MVQ		5380.680	9630070311
		EPDM		5380.391	9630036545
20	Cup seal, rotor retainer	FPM	2	5382.001	9630070696
		MVQ		5382.004	9630070698
		EPDM		5382.005	9630070697
22	Rotor retainer		2	5900.201	9630070730
23	Key		1	5270.030	9630031498
24	Shaft, drive	SX1/005	1	6110.740	9630070799
		SX1/007		6110.741	9630070800
25	Shaft, auxiliary	SX1/005	1	6100.740	9630070798
		SX1/007		6100.741	9630070801
26	Bearing, rear		2	5080.011	9630029026
27	Spacer, shaft abutment		1	5670.061.01	9630032664
30	Nut, bearing		2	5340.040	9630029135
31	Bearing, front		2	5080.011	9630029026
32	Spacer, bearing		2	5670.100	9630033403

SX1 Pump (continued)				
Drq No.	Description	Qty	Part No.	Item No.
36	Timing gear	2	5210.079	9630069308
38	Torque locking element	2	5615.013	9630025151
39	Clamp plate	2	5110.039	9630031371
40	Screw, clamp plate	6	5990.044	9630030096
45	Drain plug	2	1660.004	9630023546
46	Sight glass	1	5480.001	9630032778
47	Filler plug	1	31491.0052.1	9630018599
48	Plug (universal mounting)	2	1660.008	9630023548
	Plug (vertically ported only)	1	1660.008	9630023548
49	Blanking plug (universal mounting)	4	5470.022	9630089950
50	Gland guard	2	5243.091	9630074944
51	Screw, gland guard	4	6000.010	9630050533
53	Washer, gland guard	4	31499.5903.3	9630039001
54	Foot, vertical port	1	5225.401	9630070562
55	Foot gasket, vertical port	1	5198.231	9630070793
56	Foot, horizontal port	1	5225.301	9630070561
57	Foot gasket, horizontal port	1	5198.241	9630070791
58	Screw, Foot	2	6000.016	9630074795
59	Blanking plug (unflushed seals)	4	5470.000	9630024415
	Elbow, 1/8 BSPT to 6mm pipe (flushed seals)		5192.050A	9630034032
60	Tool, rotor retainer	1	6380.191	9630070709

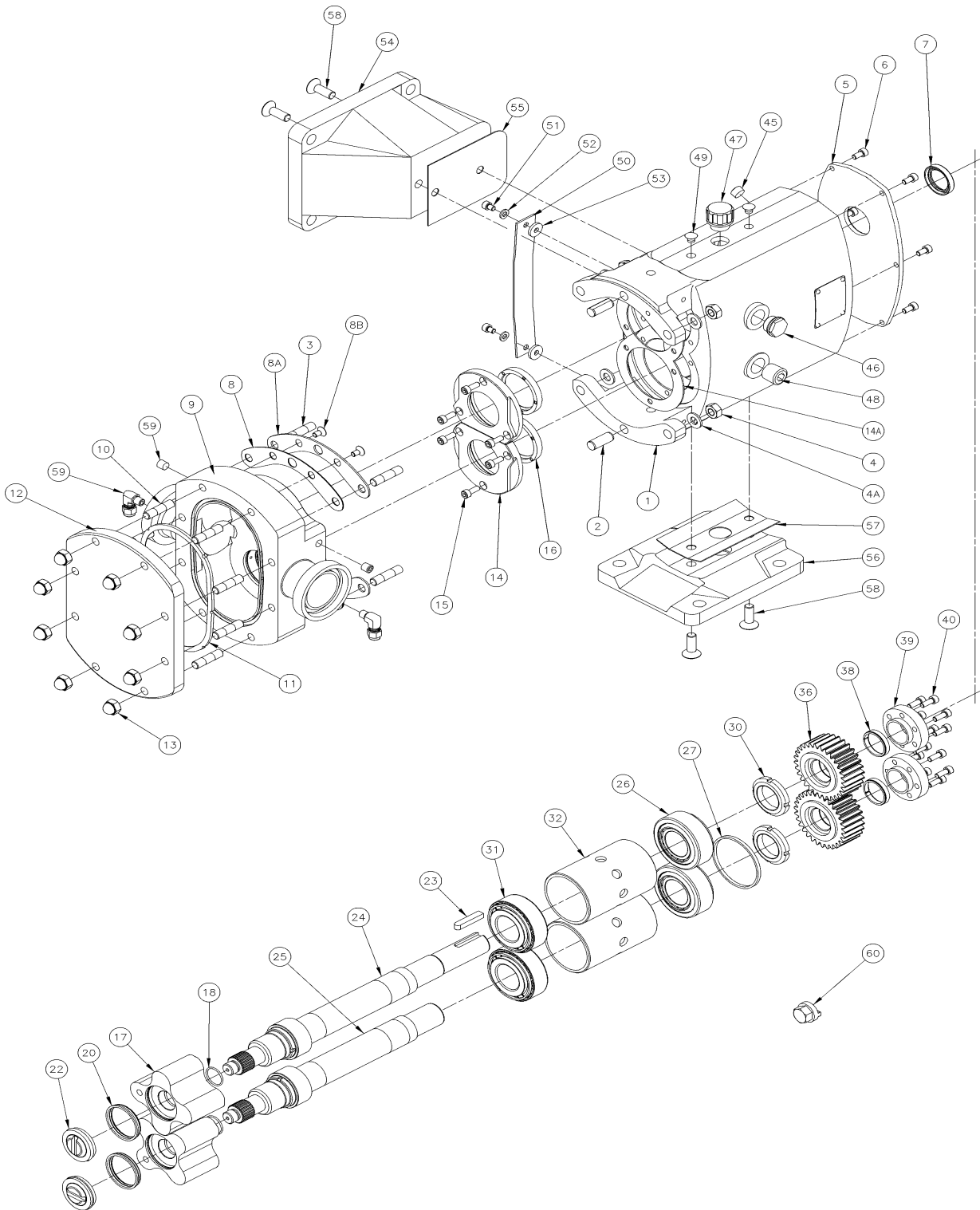
SX2 Pump						
Drg No.	Description	Qty	Part No.	Item No.		
1	Gearcase - universal mounting (designated by U)	1	5220.512	9630070054		
	Gearcase - vertically ported only (designated by H)		5220.522	9630070056		
2	Dowel	2	5170.025	9630030093		
3	Stud, rotorcase retention	4	6350.136	9630052261		
4	Nut, rotorcase retention	4	5330.000	9630024051		
4A	Washer, rotorcase retention	4	6400.037	9630024233		
5	Cover, gearcase	1	5120.162	9630070008		
6	Screw, gearcase cover	6	5990.052	9630021069		
7	Lip seal, rear	1	5310.079	9630032807		
8	Shim	1 set	6150.292	9630069368		
8A	Shim retainer	2	6150.282	9630069365		
8B	Screw, shim retainer	4	6000.010	9630050533		
9	Rotorcase, 1.1/2" (40mm) connections	1	DIN11851 ISS/IDF RJT SMS Tri-clamp	SX2/013	9005.276S 9005.318S 9005.342S 9005.253S 9005.274S	9630102158 9630102159 9630102160 9630102161 9630102119
			DIN11851 ISS/IDF RJT SMS Tri-clamp	SX2/018	9006.235S 9006.233S 9006.232S 9006.234S 9006.271S	9630102162 9630102163 9630102164 9630102165 9630102166
10	Stud, rotorcase/cover retention	4	6350.094	9630024086		
11	Compression Joint	1	FPM	5381.201	9630070193	
			MVQ	5381.204	9630070194	
			EPDM	5381.205	9630070195	
12	Cover, rotorcase	1	5130.432	9630069665		
13	Dome nut, rotorcase cover	4	5340.047	9630029651		
14	Retainer, seal	2	5560.082	9630069355		
15	Screw, seal retainer	6	5990.052	9630021069		
16	Lip seal, front	2	5310.107	9630043050		
17	Rotor, Stainless Steel	2	5 bar 150°C 10 bar 150°C 15 bar 150°C	SX2/013	5780.013E 5780.013K 5780.013R	9630075274 9630075275 9630075276
			3 bar 150°C 7 bar 150°C	SX2/018	5780.018C 5780.018G	9630075284 9630075286
18	O' Ring, rotor sealing shaft end	2	FPM	1551.018	9630035241	
			MVQ	1554.018	9630074203	
			EPDM	1555.018	9630074202	
20	Cup seal, rotor retainer	2	FPM	5382.101	9630069429	
			MVQ	5382.104	9630069427	
			EPDM	5382.105	9630069424	
22	Rotor retainer	2	SX2/013	5900.202	9630069548	
			SX2/018	5900.212	9630070034	
23	Key	1	5270.007	9630023916		
24	Shaft, drive	1	6110.742	9630069668		
25	Shaft, auxiliary	1	6100.742	9630069666		
26	Bearing, rear	2	5080.022	9630069297		
27	Spacer, shaft abutment	1	5670.168.01	9630069959		
30	Nut, bearing	2	5340.041	9630029136		
31	Bearing, front	2	5080.022	9630069297		
32	Spacer, bearing	2	5670.162	9630069353		

SX2 Pump (continued)				
Drq No.	Description	Qty	Part No.	Item No.
36	Timing gear	2	5210.077	9630069305
38	Torque locking element	2	5615.015	9630030115
39	Clamp plate	2	5110.040	9630031407
40	Screw, clamp plate	6	5990.007	9630024595
45	Drain plug	2	1660.004	9630023546
46	Sight glass	1	5480.001	9630032778
47	Filler plug	1	31491.0052.1	9630018599
48	Plug (universal mounting)	2	1660.008	9630023548
	Plug (vertically ported only)	1	1660.008	9630023548
49	Blanking plug (universal mounting)	4	5470.020	9630087278
50	Gland guard	2	5243.092	9630074946
51	Screw, gland guard	4	6000.010	9630050533
53	Washer, gland guard	4	31499.5903.3	9630039001
54	Foot, vertical port	1	5225.402	9630069904
55	Foot gasket, vertical port	1	5198.232	9630070136
56	Foot, horizontal port	1	5225.302	9630069903
57	Foot gasket, horizontal port	1	5198.242	9630070244
58	Screw, Foot	2	6000.015	9630074794
59	Blanking plug (unflushed seal)	4	5470.000	9630024415
	Elbow, 1/8 BSPT to 6mm pipe (flushed seals)		5192.050A	9630034032
60	Tool, rotor retainer	1	6380.191	9630070709

SX3 Pump					
Drg No.	Description	Qty	Part No.	Item No.	
1	Gearcase - universal mounting (designated by U)	1	5220.513	9630070600	
	Gearcase - vertically ported only (designated by H)		5220.523	9630070605	
2	Dowel	2	5170.010	9630023461	
3	Stud, rotorcase retention	4	6350.137	9630052263	
4	Nut, rotorcase retention	4	5330.000	9630024051	
4A	Washer, rotorcase retention	4	6400.037	9630024233	
5	Cover, gearcase	1	5120.163	9630070039	
6	Screw, gearcase cover	6	5990.052	9630021069	
7	Lip seal, rear	1	5310.080	9630032808	
8	Shim	1 set	6150.293	9630070181	
8A	Shim retainer	2	6150.283	9630070171	
8B	Screw, shim retainer	4	6000.010	9630050533	
9	Rotorcase, 2" (50mm) connections	1	DIN11851 ISS/IDF RJT SMS Tri-clamp SX3/027	9007.235S	9630102167
			9007.233S	9630102168	
			9007.232S	9630102169	
			9007.234S	9630102170	
			9007.271S	9630102171	
	Rotorcase, 2.1/2" (65mm) connections	1	DIN11851 ISS/IDF RJT SMS Tri-clamp SX3/035	9008.651S	9630102172
			9008.645S	9630102173	
			9008.623S	9630102174	
			9008.649S	9630102175	
			9008.650S	9630102176	
10	Stud, rotorcase/cover retention	8	6350.095	9630027490	
11	Compression Joint	1	FPM	5381.301	9630070679
			MVQ	5381.304	9630069223
			EPDM	5381.305	9630069395
12	Cover, rotorcase	1	5130.433	9630069707	
13	Dome nut, rotorcase cover	8	5340.047	9630029651	
14	Retainer, seal	2	5560.032	9630025431	
15	Screw, seal retainer	6	5990.052	9630021069	
16	Lip seal, front	2	5310.072	9630032798	
17	Rotor, Stainless Steel	2	5 bar 150°C 10 bar 150°C 15 bar 150°C SX3/027	5780.027E	9630075192
			5780.027K	9630075193	
			5780.027R	9630075194	
			3 bar 150°C 7 bar 150°C SX3/035	5780.035C	9630075190
5780.035G	9630075191				
18	O' Ring, rotor sealing shaft end	2	FPM	1551.020	9630046186
			MVQ	1554.020	9630067335
			EPDM	1555.020	9630046187
20	Cup seal, rotor retainer	2	FPM	5382.201	9630069430
			MVQ	5382.204	9630069428
			EPDM	5382.205	9630069425
22	Rotor retainer	2	SX3/027	5900.203	9630069705
			SX3/035	5900.213	9630070261
23	Key	1	5270.031	9630031499	
24	Shaft, drive	1	6110.743	9630069745	
25	Shaft, auxiliary	1	6100.743	9630069743	
26	Bearing, rear	2	5080.013	9630029030	
27	Spacer, shaft abutment	1	5670.063.01	9630032683	
30	Nut, bearing	2	5340.042	9630029137	
31	Bearing, front	2	5080.013	9630029030	
32	Spacer, bearing	2	5670.058	9630029695	

SX3 Pump (continued)				
Drg No.	Description	Qty	Part No.	Item No.
36	Timing gear	2	5210.038	9630027688
38	Torque locking element	4	5615.016	9630030273
39	Clamp plate	2	5110.041	9630029175
40	Screw, clamp plate	12	5990.007	9630024595
45	Drain plug	2	1660.004	9630023546
46	Sight glass	1	5480.001	9630032778
47	Filler plug	1	31491.0052.1	9630018599
48	Plug (universal mounting)	2	1660.008	9630023548
	Plug (vertically ported only)	1	1660.008	9630023548
49	Blanking plug (universal mounting)	4	5470.020	9630087278
50	Gland guard	2	5243.093	9630074947
51	Screw, gland guard	4	5990.045	9630030332
52	Washer, gland guard	4	6400.046	9630030121
53	Washer, gland guard	4	31499.5903.3	9630039001
54	Foot, vertical port	1	5225.403	9630070494
55	Foot gasket, vertical port	1	5198.233	9630071280
56	Foot, horizontal port	1	5225.303	9630070492
57	Foot gasket, horizontal port	1	5198.243	9630071281
58	Screw, Foot	2	6000.014	9630074776
59	Blanking plug (unflushed seal)	4	5470.000	9630024415
	Elbow, 1/8 BSPT to 6mm pipe (flushed seals)		5192.050A	9630034032
60	Tool, rotor retainer	1	6380.191	9630070709

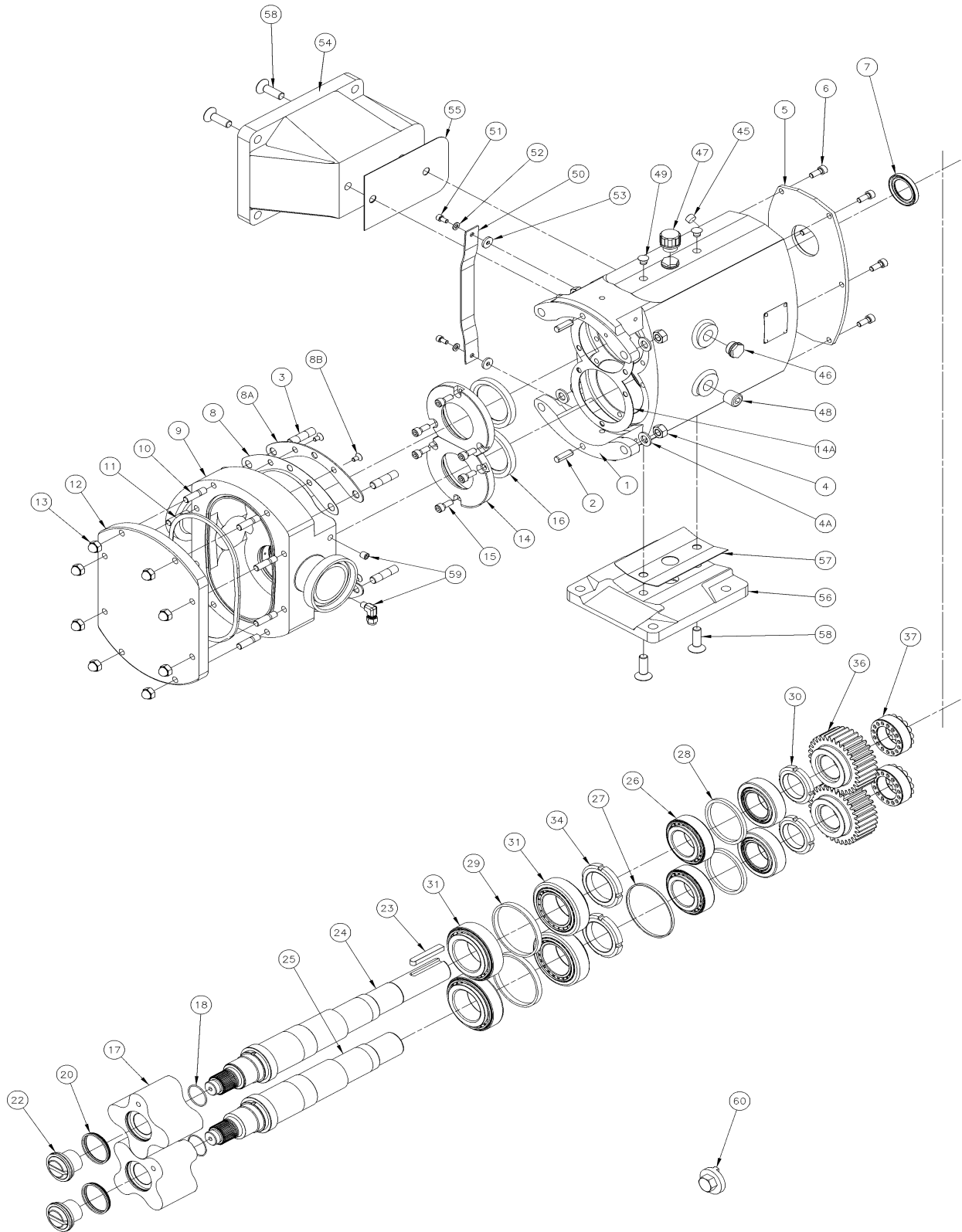
SX1-3 Pump Model - Exploded View Drawing



SX4 Pump					
Drg No.	Description	Qty	Part No.	Item No.	
1	Gearcase - universal mounting (designated by U)	1	5220.514	9630070362	
	Gearcase - vertically ported only (designated by H)		5220.524	9630070606	
2	Dowel	2	5170.040	9630070385	
3	Stud, rotorcase retention	4	6350.138	9630052265	
4	Nut, rotorcase retention	4	5330.001	9630024053	
4A	Washer, rotorcase retention	4	6400.038	9630024236	
5	Cover, gearcase	1	5120.164	9630070364	
6	Screw, gearcase cover	6	5990.034	9630024635	
7	Lip seal, rear	1	5310.081	9630032809	
8	Shim	1 set	6150.294	9630070934	
8A	Shim retainer	2	6150.284	9630070405	
8B	Screw, shim retainer	4	6000.010	9630050533	
9	Rotorcase, 2" (50mm) connections	1	DIN11851	9009.235S	9630102177
			ISS/IDF	9009.233S	9630102178
			RJT	9009.232S	9630102179
			SMS	9009.234S	9630102181
			Tri-clamp	9009.271S	9630102182
	Rotorcase, 2.1/2" (65mm) connections		DIN11851	9010.651S	9630102183
			ISS/IDF	9010.645S	9630102184
			RJT	9010.623S	9630102185
			SMS	9010.649S	9630102186
			Tri-clamp	9010.650S	9630102187
10	Stud, rotorcase/cover retention	8	6350.104	9630019863	
11	Compression Joint	FPM	5381.401	9630070399	
		MVQ	5381.404	9630070400	
		EPDM	5381.405	9630070401	
12	Cover, rotorcase	1	5130.434	9630070403	
13	Dome nut, rotorcase cover	8	5340.047	9630029651	
14	Retainer, seal	2	5560.084	9630070335	
15	Screw, seal retainer	6	5990.034	9630024635	
16	Lip seal, front	2	5310.074	9630032800	
17	Rotor, Stainless Steel	5 bar 150°C	5780.046E	9630075145	
		10 bar 150°C	5780.046K	9630075146	
		15 bar 150°C	5780.046R	9630075147	
		5 bar 150°C	5780.063E	9630075148	
18	O' Ring, rotor sealing shaft end	SX4/046	5780.063K	9630075150	
		10 bar 150°C	1551.027	9630070327	
		FPM	1554.027	9630070328	
		MVQ	1555.027	9630070326	
20	Cup seal, rotor retainer	EPDM	5382.301	9630069423	
		FPM	5382.304	9630069422	
		MVQ	5382.305	9630069421	
22	Rotor retainer	EPDM	5900.204	9630070338	
		SX4/046	5900.214	9630070339	
23	Key	1	5270.011	9630023932	
24	Shaft, drive	1	6110.744	9630070376	
25	Shaft, auxiliary	1	6100.744	9630070374	
26	Bearing, rear	4	5080.014	9630029032	
27	Spacer, shaft abutment	1	5670.169.01	9630070443	
28	Spacer, bearing rear	2	5670.050	9630070381	
29	Spacer, bearing front	2	5670.164	9630027142	
30	Nut, bearing rear	2	5340.043	9630029138	
31	Bearing, front	4	5080.023	9630069300	
34	Nut, bearing front	2	5340.035	9630024100	

SX4 Pump (continued)				
Drg No.	Description	Qty	Part No.	Item No.
36	Timing gear	2	5210.078	9630069307
37	Torque locking assembly	2	5615.000	9630024451
45	Drain plug	2	1660.004	9630023546
46	Sight glass	1	5480.001	9630032778
47	Filler plug	1	31491.0052.1	9630018599
48	Plug (universal mounting)	2	1660.008	9630023548
	Plug (vertically ported only)	1	1660.008	9630023548
49	Blanking plug (universal mounting)	4	5470.021	9630089949
50	Gland guard	2	5243.094	9630074948
51	Screw, gland guard	4	5990.045	9630030332
52	Washer, gland guard	4	6400.046	9630030121
53	Washer, gland guard	4	31499.5903.3	9630039001
54	Foot, vertical port	1	5225.404	9630070366
55	Foot gasket, vertical port	1	5198.234	9630070372
56	Foot, horizontal port	1	5225.304	9630070368
57	Foot gasket, horizontal port	1	5198.244	9630070370
58	Screw, Foot	2	6000.013	9630074775
59	Blanking plug (unflushed seal)	4	5470.000	9630024415
	Elbow, 1/8 BSPT to 6mm pipe (flushed seals)		5192.050A	9630034032
60	Tool, rotor retainer	1	6380.192	9630070769

SX4 Pump Model - Exploded View Drawing



SX5 Pump				
Drg No.	Description	Qty	Part No.	Item No.
1	Gearcase - vertically ported only (designated by H)	1	5220.525	9630070607
2	Dowel	2	5170.010	9630023461
3	Stud, rotorcase retention	4	6350.138	9630052265
4	Nut, rotorcase retention	4	5330.001	9630024053
4A	Washer, rotorcase retention	4	6400.038	9630024236
5	Cover, gearcase	1	5120.165	9630072515
6	Screw, gearcase cover	5	5990.034	9630024635
7	Lip seal, rear	1	5310.082	9630032810
8	Shim	1 set	6150.295	9630072390
8A	Shim retainer	2	6150.285	9630072383
8B	Screw, shim retainer	4	6000.010	9630050533
9	Rotorcase, 2.1/2" (65mm) connections	1	DIN11851 ISS/IDF RJT SMS Tri-clamp SX5/082	9011.651S 9630102188
			9011.645S 9630102189	
9	Rotorcase, 3" (80mm) connections	1	DIN11851 ISS/IDF RJT SMS Tri-clamp SX5/115	9011.623S 9630102190
			9011.649S 9630102191	
9			9011.650S 9630102192	
9			9012.671S 9630102193	
9			9012.665S 9630102194	
9			9012.624S 9630102195	
9			9012.669S 9630102196	
9			9012.607S 9630102124	
10	Stud, rotorcase/cover retention	8	6350.104	9630019863
11	Compression Joint	1	FPM 5381.501 9630071979	
			MVQ 5381.504 9630071980	
			EPDM 5381.505 9630071981	
12	Cover, rotorcase	1	5130.435	9630072005
13	Dome nut, rotorcase cover	8	5340.047	9630029651
14	Retainer, seal	2	5560.036	9630026099
15	Screw, seal retainer	6	5990.034	9630024635
16	Lip seal, front	2	5310.076	9630032802
17	Rotor, Stainless Steel	2	15 bar 150°C SX5/082 5780.082R 9630075289	
			10 bar 150°C SX5/115 5780.115K 9630075301	
18	O' Ring, rotor sealing shaft end	2	FPM 1551.134 9630058536	
			MVQ 1554.134 9630074204	
			EPDM 1555.134 9630043509	
20	Cup seal, rotor retainer	2	FPM 5382.401 9630069432	
			MVQ 5382.404 9630069431	
			EPDM 5382.405 9630069426	
22	Rotor retainer	2	SX5/082 5900.205 9630073103	
			SX5/115 5900.215 9630073104	
23	Key	1	5270.013	9630023940
24	Shaft, drive	1	6110.745	9630073091
25	Shaft, auxiliary	1	6100.745	9630073080
26	Bearing, rear	4	5080.015	9630029034
27	Spacer, shaft abutment	1	5670.067.01	9630035209
28	Spacer, bearing drive end	2	5670.049	9630031175
29	Spacer, bearing gland end	2	5670.051	9630031133
30	Nut, bearing rear	2	5340.035	9630024100
31	Bearing, front	4	5080.017	9630029036
34	Nut, bearing front	2	5340.045	9630029139

SX5 Pump (continued)				
Drg No.	Description	Qty	Part No.	Item No.
36	Timing gear	2	5210.034	9630031162
37	Torque locking assembly	2	5615.005	9630024455
45	Drain plug	1	1660.008	9630023548
46	Sight glass	1	5480.001	9630032778
47	Filler plug	1	31491.0052.1	9630018599
48	Plug	1	1660.008	9630023548
50	Gland guard	2	5243.095	9630075259
51	Screw, gland guard	4	5950.056	9630030383
52	Washer, gland guard	4	6400.036	9630024231
59	Blanking plug (unflushed seal)	4	5470.001	9630024417
	Elbow, 1/4 BSPT to 6mm pipe (flushed seals)		5192.041	9630030750
60	Tool, rotor retainer	1	6380.192	9630070769

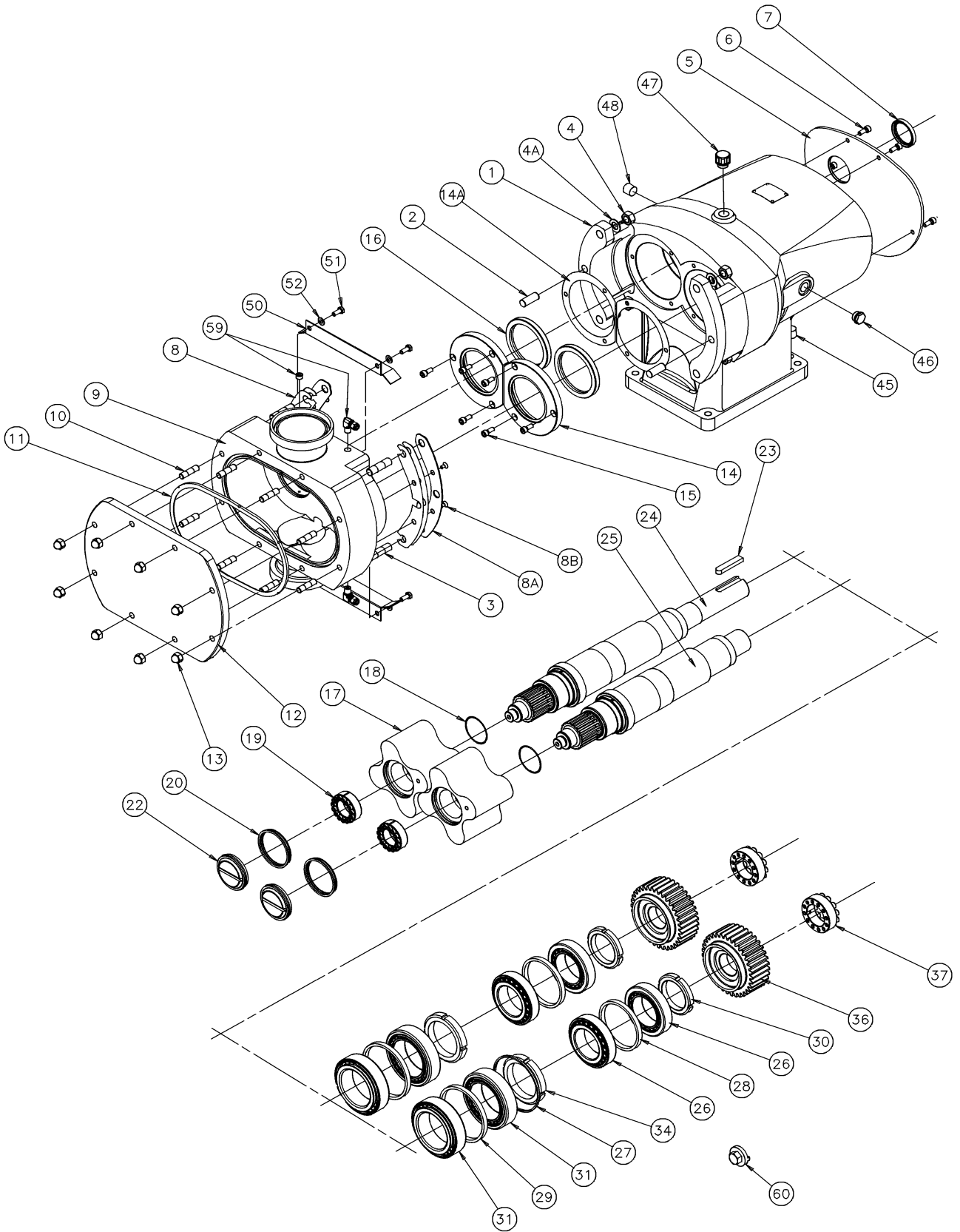
SX6 Pump					
Drg No.	Description	Qty	Part No.	Item No.	
1	Gearcase - vertically ported only (designated by H)	1	5220.526	9630070608	
2	Dowel	2	5170.011	9630023467	
3	Stud, rotorcase retention	4	6350.139	9630052267	
4	Nut, rotorcase retention	4	5330.002	9630024055	
4A	Washer, rotorcase retention	4	6400.041	9630024238	
5	Cover, gearcase	1	5120.150	9630058651	
6	Screw, gearcase cover	5	5990.034	9630024635	
7	Lip seal, rear	1	5310.072	9630032798	
8	Shim	1 set	6150.296	9630072391	
8A	Shim retainer	2	6150.286	9630072384	
8B	Screw, shim retainer	4	6000.010	9630050533	
9	Rotorcase, 3" (80mm) connections	1	DIN11851	9013.671S	9630102197
			ISS/IDF	9013.665S	9630102198
9	Rotorcase, 4" (100mm) connections	1	RJT	9013.624S	9630102199
			SMS	9013.669S	9630102200
9	Rotorcase, 4" (100mm) connections	1	Tri-clamp	9013.670S	9630102201
			DIN11851	9014.096S	9630102202
9	Rotorcase, 4" (100mm) connections	1	ISS/IDF	9014.048S	9630102203
			RJT	9014.040S	9630102204
9	Rotorcase, 4" (100mm) connections	1	SMS	9014.080S	9630102205
			Tri-clamp	9014.088S	9630102149
10	Stud, rotorcase/cover retention	8	6350.098	9630030574	
11	Compression Joint	1	FPM	5381.601	9630071982
			MVQ	5381.604	9630071983
			EPDM	5381.605	9630071984
12	Cover, rotorcase	1	5130.436	9630072006	
13	Dome nut, rotorcase cover	8	5340.022	9630024088	
14	Retainer, seal	2	5560.037	9630026103	
15	Screw, seal retainer	6	5990.034	9630024635	
16	Lip seal, front	2	5310.077	9630032803	
17	Rotor, Stainless Steel	2	15 bar 150°C	SX6/140	5780.140R
			10 bar 150°C	SX6/190	5780.190K
18	O' Ring, rotor sealing shaft end	2	FPM	1551.141	9630038926
			MVQ	1554.141	9630074206
			EPDM	1555.141	9630038927
19	Torque locking assembly	2	5615.000	9630024451	
20	Cup seal, rotor retainer	2	FPM	5382.501	9630069861
			MVQ	5382.504	9630069862
			EPDM	5382.505	9630069858
22	Rotor retainer	2	5900.206	9630073101	
23	Key	1	5270.013	9630023940	
24	Shaft, drive	1	SX6/140	6110.746	9630073057
			SX6/190	6110.752	9630073058
25	Shaft, auxiliary	1	SX6/140	6100.746	9630073056
			SX6/190	6100.752	9630073059
26	Bearing, rear	4	5080.017	9630029036	
27	Spacer, shaft abutment	1	5670.068.01	9630034661	
28	Spacer, bearing rear	2	5670.051	9630031133	
29	Spacer, bearing front	2	5670.053	9630031135	
30	Nut, bearing rear	2	5340.045	9630029139	
31	Bearing, front	4	5080.019	9630029038	
34	Nut, bearing front	2	5340.046	9630029140	

SX6 Pump (continued)				
Drq No.	Description	Qty	Part No.	Item No.
36	Timing gear	2	5210.035	9630030718
37	Torque locking assembly	2	5615.005	9630024455
45	Drain plug	1	1660.008	9630023548
46	Sight glass	1	5480.001	9630032778
47	Filler plug	1	31491.0052.1	9630018599
48	Plug	1	1660.008	9630023548
50	Gland guard	2	5243.096	9630075262
51	Screw, gland guard	4	5950.056	9630030383
52	Washer, gland guard	4	6400.036	9630024231
59	Blanking plug (unflushed seal)	4	5470.001	9630024417
	Elbow, 1/4 BSPT to 6mm pipe (flushed seals)		5192.041	9630030750
60	Tool, rotor retainer	1	6380.192	9630070769

SX7 Pump						
Drg No.	Description	Qty	Part No.	Item No.		
1	Gearcase - vertically ported only (designated by H)	1	5220.527	9630070609		
2	Dowel	2	5170.011	9630023467		
3	Stud, rotorcase retention	4	6350.086	9630024029		
4	Nut, rotorcase retention	4	5330.002	9630024055		
4A	Washer, rotorcase retention	4	6400.041	9630024238		
5	Cover, gearcase	1	5120.167	9630072492		
6	Screw, gearcase cover	6	5990.034	9630024635		
7	Lip seal, rear	1	5310.115	9630054369		
8	Shim	1 set	6150.297	9630072392		
8A	Shim retainer	2	6150.287	9630072385		
8B	Screw, shim retainer	4	6000.010	9630050533		
9	Rotorcase, 4" (100mm) connections	1	DIN11851 ISS/IDF RJT SMS Tri-clamp	SX7/250	9015.096S 9015.048S 9015.040S 9015.080S 9015.088S	9630102206 9630102207 9630102208 9630102209 9630102150
			DIN11851 Tri-clamp	SX7/380	9016.557S 9016.518S	9630085942 9630086312
10	Stud, rotorcase/cover retention	8	6350.098	9630030574		
11	Compression Joint	1	FPM	5381.701	9630071985	
			MVQ	5381.704	9630071986	
			EPDM	5381.705	9630071987	
12	Cover, rotorcase	1	5130.437	9630072007		
13	Dome nut, rotorcase cover	8	5340.022	9630024088		
14	Retainer, seal	2	5560.087	9630073028		
15	Screw, seal retainer	6	5990.078	9630060520		
16	Lip seal, front	2	5310.139	9630074130		
17	Rotor, Stainless Steel	2	15 bar 150°C 10 bar 150°C	SX7/250 SX5/380	5780.250R 5780.380K	9630075327 9630075331
				FPM MVQ EPDM	5380.248 1554.230 5830.250	9630025398 9630074205 9630025437
18	O' Ring, rotor sealing shaft end	2	5615.000	9630024451		
20	Cup seal, rotor retainer	2	FPM	5382.501	9630069861	
			MVQ	5382.504	9630069862	
			EPDM	5382.505	9630069858	
22	Rotor retainer	2	5900.206	9630073101		
23	Key	1	5270.038	9630074134		
24	Shaft, drive	1	SX7/250 SX7/380	6110.747 6110.749	9630073020 9630073026	
			SX7/250 SX7/380	6100.747 6100.749	9630073021 9630073027	
25	Shaft, auxiliary	1	6100.749	9630073027		
26	Bearing, rear	4	5080.019	9630029038		
27	Spacer, shaft abutment	1	5670.170.01	9630072526		
28	Spacer, bearing rear	2	5670.053	9630031135		
29	Spacer, bearing front	2	5670.167	9630072283		
30	Nut, bearing rear	2	5340.046	9630029140		
31	Bearing, front	4	5080.024	9630070846		
34	Nut, bearing front	2	5340.037	9630025231		

SX7 Pump (continued)				
Drg No.	Description	Qty	Part No.	Item No.
36	Timing gear	2	5210.080	9630071347
37	Torque locking assembly	2	5615.012	9630025239
45	Drain plug	1	1660.008	9630023548
46	Sight glass	1	5480.001	9630032778
47	Filler plug	1	31491.0052.1	9630018599
48	Plug	1	1660.008	9630023548
50	Gland guard	2	5243.097	9630075263
51	Screw, gland guard	4	5950.056	9630030383
52	Washer, gland guard	4	6400.036	9630024231
59	Blanking plug (unflushed seal)	4	5470.001	9630024417
	Elbow, 1/4 BSPT to 6mm pipe (flushed seals)		5192.041	9630030750
60	Tool, rotor retainer	1	6380.192	9630070769

SX5-7 Pump Model - Exploded View Drawing



R00 Single Mechanical Seals (Complete) - SX Pump Range

2 seals per pump. It is recommended to replace both sets of seals when wear dictates seal replacement

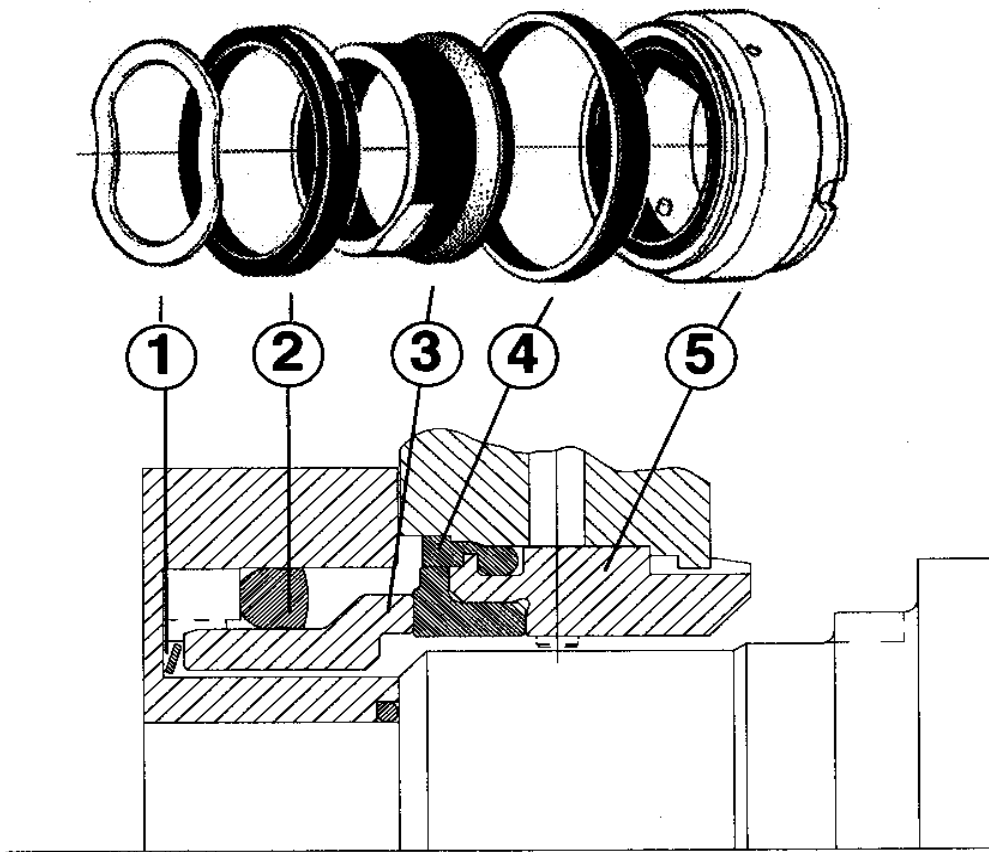
Rotary Seal / Stationary Seal Ring	'O' Rings	SX1		SX2	
		Part No.	Item No.	Part No.	Item No.
Carbon / Stainless Steel	EPDM	7700.101E	9630088478	7700.102E	9630085768
	FPM	7700.101V	9630088480	7700.102V	9630088486
	MVQ	7700.101S	9630092185	7700.102S	
Carbon / Silicon Carbide	EPDM	7700.191E	9630088482	7700.192E	9630088232
	FPM	7700.191V	9630088481	7700.192V	9630088487
	MVQ	7700.191S		7700.192S	
Silicon Carbide / Silicon Carbide	EPDM	7700.201E	9630088483	7700.202E	9630088489
	FPM	7700.201V	9630088485	7700.202V	9630088488
	MVQ	7700.201S		7700.202S	

Rotary Seal / Stationary Seal Ring	'O' Rings	SX3		SX4	
		Part No.	Item No.	Part No.	Item No.
Carbon / Stainless Steel	EPDM	7700.103E	9630088490	7700.104E	9630088493
	FPM	7700.103V	9630088491	7700.104V	9630088494
	MVQ	7700.103S		7700.104S	9630099149
Carbon / Silicon Carbide	EPDM	7700.193E	9630088400	7700.194E	9630088496
	FPM	7700.193V	9630088492	7700.194V	9630088495
	MVQ	7700.193S		7700.194S	
Silicon Carbide / Silicon Carbide	EPDM	7700.203E	9630088209	7700.204E	9630088497
	FPM	7700.203V	9630088125	7700.204V	9630076413
	MVQ	7700.203S		7700.204S	

Rotary Seal / Stationary Seal Ring	'O' Rings	SX5		SX6	
		Part No.	Item No.	Part No.	Item No.
Carbon / Stainless Steel	EPDM	7700.105E	9630086706	7700.106E	9630088501
	FPM	7700.105V	9630086933	7700.106V	9630088502
	MVQ	7700.105S		7700.106S	
Carbon / Silicon Carbide	EPDM	7700.195E	9630088498	7700.196E	9630088503
	FPM	7700.195V	9630088499	7700.196V	9630088504
	MVQ	7700.195S		7700.196S	
Silicon Carbide / Silicon Carbide	EPDM	7700.205E	9630087237	7700.206E	9630088506
	FPM	7700.205V	9630088500	7700.206V	9630088505
	MVQ	7700.205S		7700.206S	

Rotary Seal / Stationary Seal Ring	'O' Rings	SX7	
		Part No.	Item No.
Carbon / Stainless Steel	EPDM	7700.107E	9630088507
	FPM	7700.107V	9630088508
	MVQ	7700.107S	
Carbon / Silicon Carbide	EPDM	7700.197E	9630088509
	FPM	7700.197V	9630088510
	MVQ	7700.197S	
Silicon Carbide / Silicon Carbide	EPDM	7700.207E	9630088512
	FPM	7700.207V	9630088511
	MVQ	7700.207S	9630101627

R00 Single Mechanical Seal - Exploded View Drawing



R00 Single Flushed Mechanical Seals (Complete) - SX Pump Range

2 seals per pump. It is recommended to replace both sets of seals when wear dictates seal replacement

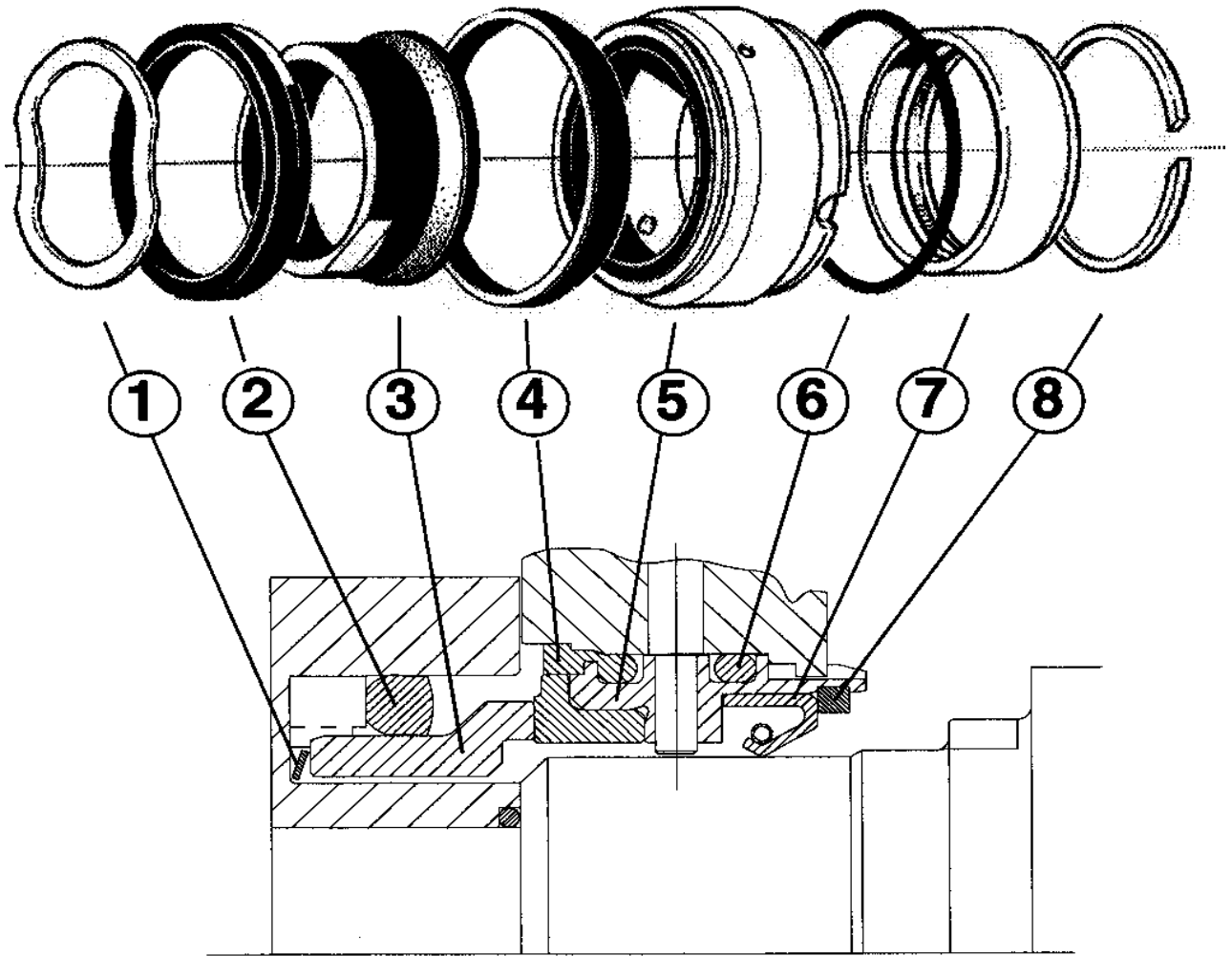
Rotary Seal / Stationary Seal Ring	'O' Rings	SX1		SX2	
		Part No.	Item No.	Part No.	Item No.
Carbon / Stainless Steel	EPDM	7700.221E		7700.222E	9630094760
	FPM	7700.221V		7700.222V	9630092887
	MVQ	7700.221S		7700.222S	
Carbon / Silicon Carbide	EPDM	7700.231E		7700.232E	9630094176
	FPM	7700.231V		7700.232V	9630089032
	MVQ	7700.231S		7700.232S	
Silicon Carbide / Silicon Carbide	EPDM	7700.211E		7700.212E	
	FPM	7700.211V		7700.212V	
	MVQ	7700.211S		7700.212S	

Rotary Seal / Stationary Seal Ring	'O' Rings	SX3		SX4	
		Part No.	Item No.	Part No.	Item No.
Carbon / Stainless Steel	EPDM	7700.223E		7700.224E	
	FPM	7700.223V		7700.224V	
	MVQ	7700.223S		7700.224S	
Carbon / Silicon Carbide	EPDM	7700.233E	9630090140	7700.234E	
	FPM	7700.233V		7700.234V	
	MVQ	7700.233S		7700.234S	
Silicon Carbide / Silicon Carbide	EPDM	7700.213E	9630088892	7700.214E	
	FPM	7700.213V		7700.214V	
	MVQ	7700.213S		7700.214S	

Rotary Seal / Stationary Seal Ring	'O' Rings	SX5		SX6	
		Part No.	Item No.	Part No.	Item No.
Carbon / Stainless Steel	EPDM	7700.225E		7700.226E	
	FPM	7700.225V		7700.226V	
	MVQ	7700.225S		7700.226S	
Carbon / Silicon Carbide	EPDM	7700.235E		7700.236E	
	FPM	7700.235V	9630099041	7700.236V	
	MVQ	7700.235S		7700.236S	
Silicon Carbide / Silicon Carbide	EPDM	7700.215E	9630099410	7700.216E	
	FPM	7700.215V	9630099042	7700.216V	
	MVQ	7700.215S		7700.216S	

Rotary Seal / Stationary Seal Ring	'O' Rings	SX7	
		Part No.	Item No.
Carbon / Stainless Steel	EPDM	7700.227E	
	FPM	7700.227V	
	MVQ	7700.227S	
Carbon / Silicon Carbide	EPDM	7700.237E	
	FPM	7700.237V	9630095965
	MVQ	7700.237S	
Silicon Carbide / Silicon Carbide	EPDM	7700.217E	
	FPM	7700.217V	9630096367
	MVQ	7700.217S	

R00 Single Flushed Mechanical Seal - Exploded View Drawing



R00 Double Mechanical Seals (Complete) - SX1 and SX2 Pump Models

2 seals per pump. It is recommended to replace both sets of seals when wear dictates seal replacement.

Where the flush pressure can be at pressure of > 5 bar above the differential pressure of the pump, the squad ring is replaced by the 'O' ring.

Inboard Seal	Outboard Seal	Elast-omer	< 5 bar SX1		> 5 bar SX1	
			Part No.	Item No.	Part No.	Item No.
Carbon / Silicon Carbide	Carbon / Stainless Steel	EPDM FPM MVQ	7700.601E 7700.601V 7700.601S		7700.601E/5 7700.601V/5 7700.601S/5	
Carbon / Silicon Carbide	Carbon / Silicon Carbide	EPDM FPM MVQ	7700.611E 7700.611V 7700.611S		7700.611E/5 7700.611V/5 7700.611S/5	
Silicon Carbide / Silicon Carbide	Carbon / Stainless Steel	EPDM FPM MVQ	7700.701E 7700.701V 7700.701S		7700.701E/5 7700.701V/5 7700.701S/5	
Silicon Carbide / Silicon Carbide	Carbon / Silicon Carbide	EPDM FPM MVQ	7700.711E 7700.711V 7700.711S	9630092953	7700.711E/5 7700.711V/5 7700.711S/5	

Inboard Seal	Outboard Seal	Elast-omer	< 5 bar SX2		> 5 bar SX2	
			Part No.	Item No.	Part No.	Item No.
Carbon / Silicon Carbide	Carbon / Stainless Steel	EPDM FPM MVQ	7700.602E 7700.602V 7700.602S	9630089284	7700.602E/5 7700.602V/5 7700.602S/5	
Carbon / Silicon Carbide	Carbon / Silicon Carbide	EPDM FPM MVQ	7700.612E 7700.612V 7700.612S		7700.612E/5 7700.612V/5 7700.612S/5	
Silicon Carbide / Silicon Carbide	Carbon / Stainless Steel	EPDM FPM MVQ	7700.702E 7700.702V 7700.702S	9630099040	7700.702E/5 7700.702V/5 7700.702S/5	
Silicon Carbide / Silicon Carbide	Carbon / Silicon Carbide	EPDM FPM MVQ	7700.712E 7700.712V 7700.712S		7700.712E/5 7700.712V/5 7700.712S/5	

R00 Double Mechanical Seals (Complete) - SX3 and SX4 Pump Models

2 seals per pump. It is recommended to replace both sets of seals when wear dictates seal replacement.

Where the flush pressure can be at pressure of > 5 bar above the differential pressure of the pump, the squad ring is replaced by the 'O' ring.

Inboard Seal Rotary Seal / Stationary Seal Ring	Outboard Seal Rotary Seal / Stationary Seal Ring	Elast- omer	< 5 bar SX3		> 5 bar SX3	
			Part No.	Item No.	Part No.	Item No.
Carbon / Silicon Carbide	Carbon / Stainless Steel	EPDM FPM MVQ	7700.603E 7700.603V 7700.603S		7700.603E/5 7700.603V/5 7700.603S/5	
Carbon / Silicon Carbide	Carbon / Silicon Carbide	EPDM FPM MVQ	7700.613E 7700.613V 7700.613S		7700.613E/5 7700.613V/5 7700.613S/5	
Silicon Carbide / Silicon Carbide	Carbon / Stainless Steel	EPDM FPM MVQ	7700.703E 7700.703V 7700.703S	9630086974 9630087910	7700.703E/5 7700.703V/5 7700.703S/5	
Silicon Carbide / Silicon Carbide	Carbon / Silicon Carbide	EPDM FPM MVQ	7700.713E 7700.713V 7700.713S		7700.713E/5 7700.713V/5 7700.713S/5	

Inboard Seal Rotary Seal / Stationary Seal Ring	Outboard Seal Rotary Seal / Stationary Seal Ring	Elast- omer	< 5 bar SX4		> 5 bar SX4	
			Part No.	Item No.	Part No.	Item No.
Carbon / Silicon Carbide	Carbon / Stainless Steel	EPDM FPM MVQ	7700.604E 7700.604V 7700.604S	9630085932	7700.604E/5 7700.604V/5 7700.604S/5	9630085933
Carbon / Silicon Carbide	Carbon / Silicon Carbide	EPDM FPM MVQ	7700.614E 7700.614V 7700.614S		7700.614E/5 7700.614V/5 7700.614S/5	
Silicon Carbide / Silicon Carbide	Carbon / Stainless Steel	EPDM FPM MVQ	7700.704E 7700.704V 7700.704S		7700.704E/5 7700.704V/5 7700.704S/5	
Silicon Carbide / Silicon Carbide	Carbon / Silicon Carbide	EPDM FPM MVQ	7700.714E 7700.714V 7700.714S	9630087511	7700.714E/5 7700.714V/5 7700.714S/5	9630092624

R00 Double Mechanical Seals (Complete) - SX5-7 Pump Models

2 seals per pump. It is recommended to replace both sets of seals when wear dictates seal replacement.

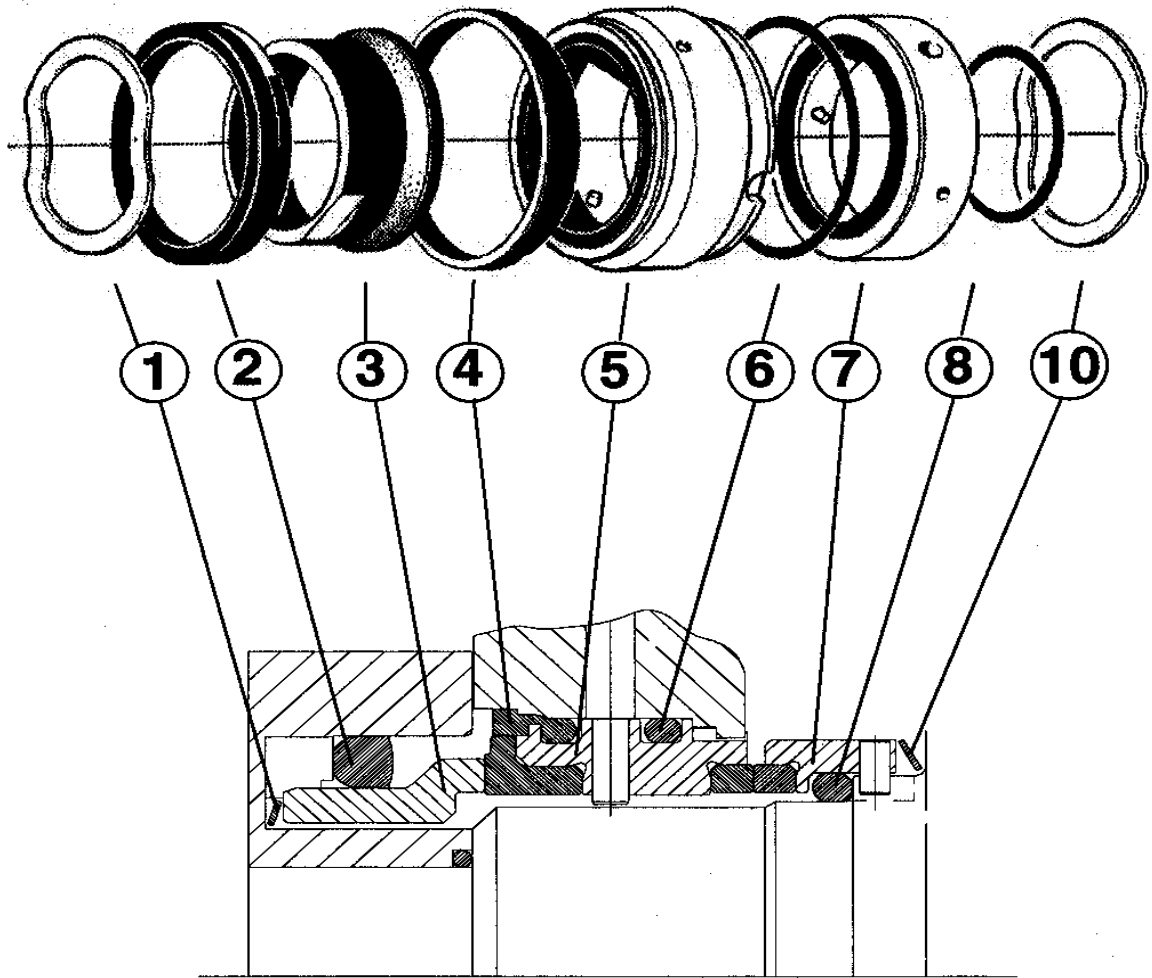
Where the flush pressure can be at pressure of > 5 bar above the differential pressure of the pump, the squad ring is replaced by the 'O' ring.

Inboard Seal Rotary Seal / Stationary Seal Ring	Outboard Seal Rotary Seal / Stationary Seal Ring	Elast- omer	< 5 bar SX5		> 5 bar SX5	
			Part No.	Item No.	Part No.	Item No.
Carbon / Silicon Carbide	Carbon / Stainless Steel	EPDM FPM MVQ	7700.605E 7700.605V 7700.605S		7700.605E/5 7700.605V/5 7700.605S/5	
Carbon / Silicon Carbide	Carbon / Silicon Carbide	EPDM FPM MVQ	7700.615E 7700.615V 7700.615S		7700.615E/5 7700.615V/5 7700.615S/5	
Silicon Carbide / Silicon Carbide	Carbon / Stainless Steel	EPDM FPM MVQ	7700.705E 7700.705V 7700.705S		7700.705E/5 7700.705V/5 7700.705S/5	
Silicon Carbide / Silicon Carbide	Carbon / Silicon Carbide	EPDM FPM MVQ	7700.715E 7700.715V 7700.715S		7700.715E/5 7700.715V/5 7700.715S/5	

Inboard Seal Rotary Seal / Stationary Seal Ring	Outboard Seal Rotary Seal / Stationary Seal Ring	Elast- omer	< 5 bar SX6		> 5 bar SX6	
			Part No.	Item No.	Part No.	Item No.
Carbon / Silicon Carbide	Carbon / Stainless Steel	EPDM FPM MVQ	7700.606E 7700.606V 7700.606S		7700.606E/5 7700.606V/5 7700.606S/5	
Carbon / Silicon Carbide	Carbon / Silicon Carbide	EPDM FPM MVQ	7700.616E 7700.616V 7700.616S		7700.616E/5 7700.616V/5 7700.616S/5	
Silicon Carbide / Silicon Carbide	Carbon / Stainless Steel	EPDM FPM MVQ	7700.706E 7700.706V 7700.706S		7700.706E/5 7700.706V/5 7700.706S/5	
Silicon Carbide / Silicon Carbide	Carbon / Silicon Carbide	EPDM FPM MVQ	7700.716E 7700.716V 7700.716S	9630095935	7700.716E/5 7700.716V/5 7700.716S/5	

Inboard Seal Rotary Seal / Stationary Seal Ring	Outboard Seal Rotary Seal / Stationary Seal Ring	Elast- omer	< 5 bar SX7		> 5 bar SX7	
			Part No.	Item No.	Part No.	Item No.
Carbon / Silicon Carbide	Carbon / Stainless Steel	EPDM FPM MVQ	7700.607E 7700.607V 7700.607S		7700.607E/5 7700.607V/5 7700.607S/5	
Carbon / Silicon Carbide	Carbon / Silicon Carbide	EPDM FPM MVQ	7700.617E 7700.617V 7700.617S		7700.617E/5 7700.617V/5 7700.617S/5	
Silicon Carbide / Silicon Carbide	Carbon / Stainless Steel	EPDM FPM MVQ	7700.707E 7700.707V 7700.707S		7700.707E/5 7700.707V/5 7700.707S/5	
Silicon Carbide / Silicon Carbide	Carbon / Silicon Carbide	EPDM FPM MVQ	7700.717E 7700.717V 7700.717S	9630090029	7700.717E/5 7700.717V/5 7700.717S/5	

R00 Double Mechanical Seal - Exploded View Drawing



R00 Mechanical Seals (Parts) - SX1 and SX2 Pump Models							
Drg No.	Description	Material	Qty	SX1		SX2	
				Part No	Item No	Part No	Item No
Parts for single R00 seals							
2	Squad Ring	EPDM FPM MVQ	2	5383.105 5383.101 5383.104	9630069434 9630069440 9630069437	5383.205 5383.201 5383.204	9630069435 9630069654 9630069438
3	Rotary Seal Ring	Carbon Silicon Carbide	2	R5610.141 R5610.121	9630075409 9630069795	R5610.142 R5610.122	9630075423 9630069796
4	Cup Seal	EPDM FPM MVQ	2	5382.105 5382.101 5382.104	9630069424 9630069429 9630069427	5382.205 5382.201 5382.204	9630069425 9630069430 9630069428
5	Stationary Seal Ring	Stainless Steel Silicon Carbide	2	R5630.151 R5630.121	9630075411 9630069809	R5630.152 R5630.122	9630075424 9630069810
Additional parts to convert above R00 single seals to single flushed seals							
Drg No.	Description	Material	Qty	SX1		SX2	
				Part No	Item No	Part No	Item No
5* note 1	Stationary Seal Ring	Stainless Steel Silicon Carbide	2	R5630.171 R5630.111	9630075645 9630069802	R5630.172 R5630.112	9630075646 9630069803
6	Stationary Seal Ring 'O' Ring	EPDM FPM MVQ	2	1555.123 1551.123 1554.123	9630037138 9630037140 9630043327	1555.131 1551.131 1554.131	9630023531 9630023418 9630074739
7	Lip Seal	FPM	2	5320.021	9630075620	5320.022	9630075621
Note 1: 5* replaces 5 above. Note 2: to convert to single flush seal also requires drg item no.18 ('O' ring) and 59 (elbow).							
Additional parts to convert above R00 single seals to double flushed seals							
Drg No.	Description	Material	Qty	SX1		SX2	
				Part No	Item No	Part No	Item No
2* note 2	Rotary Seal Ring 'O' Ring	EPDM FPM MVQ	2	5380.695 5380.692 5380.694	9630071261 9630071246 9630071260	1555.324 1551.324 1554.324	9630074754 9630074750 9630074752
5* note 1	Stationary Seal Ring	Sil.Car (inboard) / St.Stl (outboard)	2	R5630.141	9630069817	R5630.142	9630069820
		Sil.Car (inboard) / Sil.Car (outboard)		R5630.131	9630069816	R5630.132	9630069819
6	Stationary Seal Ring 'O' Ring	EPDM FPM MVQ	2	As 6 above		As 6 above	
7	Rotary Seal Ring (outboard)	Carbon	2	R5610.131	9630069832	R5610.132	9630069833
8	Rotary Seal Ring 'O' Ring	EPDM FPM MVQ	2	5380.146 5380.319 5380.679	9630043405 9630034859 9630074749	5380.686 5380.684 5380.696	9630071238 9630071237 9630071259
Note 1: 5* replaces 5 above. Note 2: Where the flush pressure can be at pressure of >5 bar above the differential pressure of the pump, the squad ring is replaced by the 'O' ring (ie 2* replaces 2 above). Note 3: to convert to double seal also requires drg item no.18 ('O' ring) and 59 (elbow).							
Wave springs supplied with drg no. 3 and 7 rotary seal rings:							
1	Wave Spring		2	R6300.051	9630075413	R6300.052	9630075425
10	Wave Spring		2	R6300.061	9630075414	R6300.062	9630075426

R00 Mechanical Seals (Parts) - SX3 and SX4 Pump Models

Drg No.	Description	Material	Qty	SX3		SX4	
				Part No	Item No	Part No	Item No
Parts for single R00 seals							
2	Squad Ring	EPDM	2	5383.305	9630069433	5383.405	9630069436
		FPM		5383.301	9630069442	5383.401	9630069444
		MVQ		5383.304	9630069439	5383.404	9630069443
3	Rotary Seal Ring	Carbon	2	R5610.143	9630075427	R5610.144	9630075431
		Silicon Carbide		R5610.123	9630069797	R5610.124	9630069798
4	Cup Seal	EPDM	2	5382.305	9630069421	5382.405	9630069426
		FPM		5382.301	9630069423	5382.401	9630069432
		MVQ		5382.304	9630069422	5382.404	9630069431
5	Stationary Seal Ring	Stainless Steel	2	R5630.153	9630075428	R5630.154	9630075432
		Silicon Carbide		R5630.123	9630069811	R5630.124	9630069812

Additional parts to convert above R00 single seals to single flushed seals

Drg No.	Description	Material	Qty	SX3		SX4	
				Part No	Item No	Part No	Item No
5* note 1	Stationary Seal Ring	Stainless Steel	2	R5630.173	9630075647	R5630.174	9630075648
		Silicon Carbide		R5630.113	9630069804	R5630.114	9630069805
6	Stationary Seal Ring 'O' Ring	EPDM	2	1555.134	9630043509	1555.144	9630038946
		FPM		1551.134	9630058536	1551.144	9630038945
		MVQ		1554.134	9630074204	1554.144	9630071262
7	Lip Seal	FPM	2	5320.023	9630075622	5320.024	9630075623

Note 1: 5* replaces 5 above.

Note 2: to convert to single flush seal also requires drg item no.18 ('O' ring) and 59 (elbow).

Additional parts to convert above R00 single seals to double flushed seals

Drg No.	Description	Material	Qty	SX3		SX4	
				Part No	Item No	Part No	Item No
2* note 2	Rotary Seal Ring 'O' Ring	EPDM	2	1555.325	9630074755	1555.330	9630074756
		FPM		1551.325	9630023463	5380.681	9630070316
		MVQ		1554.325	9630074753	1554.330	9630074760
5* note 1	Stationary Seal Ring	Sil.Car (inboard) / St.Stl (outboard)	2	R5630.143	9630069822	R5630.144	9630069825
		Sil.Car (inboard) / Sil.Car (outboard)		R5630.133	9630069821	R5630.134	9630069823
6	Stationary Seal Ring 'O' Ring	EPDM FPM MVQ	2	As 6 above		As 6 above	
7	Rotary Seal Ring (outboard)	Carbon	2	R5630.133	9630069834	R5610.134	9630069835
8	Rotary Seal Ring 'O' Ring	EPDM	2	5380.691	9630071245	1555.830	9630071265
		FPM		5380.069	9630024187	1551.830	9630071264
		MVQ		5380.687	9630071239	1554.830	9630071263

Note 1: 5* replaces 5 above.

Note 2: Where the flush pressure can be at pressure of >5 bar above the differential pressure of the pump, the squad ring is replaced by the 'O' ring (ie 2* replaces 2 above).

Note 3: to convert to double seal also requires drg item no.18 ('O' ring) and 59 (elbow).

Wave springs supplied with drg no. 3 and 7 rotary seal rings:

1	Wave Spring		2	R6300.053	9630075429	R6300.054	9630075433
10	Wave Spring		2	R6300.063	9630075430	R6300.064	9630075434

R00 Mechanical Seals (Parts) - SX5 and SX6 Pump Models							
Drg No.	Description	Material	Qty	SX5		SX6	
				Part No	Item No	Part No	Item No
Parts for single R00 seals							
2	Squad Ring	EPDM FPM MVQ	2	5383.505 5383.501 5383.504	9630069867 9630069868 9630069869	5383.605 5383.601 5383.604	9630069870 9630069872 9630069873
3	Rotary Seal Ring	Carbon Silicon Carbide	2	R5610.145 R5610.125	9630075435 9630069799	R5610.146 R5610.126	9630075439 9630069800
4	Cup Seal	EPDM FPM MVQ	2	5382.505 5382.501 5382.504	9630069858 9630069861 9630069862	5382.605 5382.601 5382.604	9630069859 9630069863 9630069864
5	Stationary Seal Ring	Stainless Steel Silicon Carbide	2	R5630.155 R5630.125	9630075436 9630069813	R5630.156 R5630.126	9630075440 9630069814
Additional parts to convert above R00 single seals to single flushed seals							
Drg No.	Description	Material	Qty	SX5		SX6	
				Part No	Item No	Part No	Item No
5* note 1	Stationary Seal Ring	Stainless Steel Silicon Carbide	2	R5630.175 R5630.115	9630075649 9630069806	R5630.176 R5630.116	9630075650 9630069807
6	Stationary Seal Ring 'O' Ring	EPDM FPM MVQ	2	1555.234 1551.234 1554.234	9630022854 9630023452 9630042618	1555.238 1551.238 1554.238	9630037171 9630037174 9630074740
7	Lip Seal	FPM	2	5320.025	9630075624	5320.026	9630075625
Note 1: 5* replaces 5 above. Note 2: to convert to single flush seal also requires drg item no.18 ('O' ring) and 59 (elbow).							
Additional parts to convert above R00 single seals to double flushed seals							
Drg No.	Description	Material	Qty	SX5		SX6	
				Part No	Item No	Part No	Item No
2* note 2	Rotary Seal Ring 'O' Ring	EPDM FPM MVQ	2	1555.335 1551.335 1554.335	9630074757 9630023472 9630074762	1555.339 5380.682 1554.339	9630030198 9630070321 9630074764
5* note 1	Stationary Seal Ring	Sil.Car (inboard) / St.Stl (outboard)	2	R5630.145	9630069827	R5630.146	9630069829
		Sil.Car (inboard) / Sil.Car (outboard)		R5630.135	9630069826	R5630.136	9630069828
6	Stationary Seal Ring 'O' Ring	EPDM FPM MVQ	2	As 6 above		As 6 above	
7	Rotary Seal Ring (outboard)	Carbon	2	R5610.135	9630069836	R5610.136	9630069837
8	Rotary Seal Ring 'O' Ring	EPDM FPM MVQ	2	1555.231 1551.231 1554.231	9630023538 9630023448 9630074742	1555.234 1551.234 1554.234	9630022854 9630023452 9630042618
Note 1: 5* replaces 5 above. Note 2: Where the flush pressure can be at pressure of >5 bar above the differential pressure of the pump, the squad ring is replaced by the 'O' ring (ie 2* replaces 2 above). Note 3: to convert to double seal also requires drg item no.18 ('O' ring) and 59 (elbow).							
Wave springs supplied with drg no. 3 and 7 rotary seal rings:							
1	Wave Spring		2	R6300.055	9630075437	R6300.056	9630075441
10	Wave Spring		2	R6300.065	9630075438	R6300.066	9630075442

R00 Mechanical Seals (Parts) - SX7 Pump Models

Drg No.	Description	Material	Qty	SX7	
				Part No	Item No
Parts for single R00 seals					
2	Squad Ring	EPDM	2	5383.705	9630069871
		FPM		5383.701	9630069875
		MVQ		5383.704	9630069874
3	Rotary Seal Ring	Carbon	2	R5610.147	9630075446
		Silicon Carbide		R5610.127	9630069801
4	Cup Seal	EPDM	2	5382.705	9630069860
		FPM		5382.701	9630069865
		MVQ		5382.704	9630069866
5	Stationary Seal Ring	Stainless Steel	2	R5630.157	9630075447
		Silicon Carbide		R5630.127	9630069815

Additional parts to convert above R00 single seals to single flushed seals

Drg No.	Description	Material	Qty	SX7	
				Part No	Item No
5* note 1	Stationary Seal Ring	Stainless Steel	2	R5630.177	9630075651
		Silicon Carbide		R5630.117	9630069808
6	Stationary Seal Ring 'O' Ring	EPDM	2	1555.244	9630037180
		FPM		1551.244	9630037183
		MVQ		1554.244	9630043332
7	Lip Seal	FPM	2	5320.027	9630075626

Note 1: 5* replaces 5 above.

Note 2: to convert to single flush seal also requires drg item no.18 and 59.

Additional parts to convert above R00 single seals to double flushed seals

Drg No.	Description	Material	Qty	SX7	
				Part No	Item No
2* note 2	Rotary Seal Ring 'O' Ring	EPDM	2	1555.344	9630074758
		FPM		1551.344	9630074759
		MVQ		1554.344	9630074765
5* note 1	Stationary Seal Ring	Sil.Car (inboard) / St.Stl (outboard)	2	R5630.147	9630069831
		Sil.Car (inboard) / Sil.Car (outboard)		R5630.137	9630069830
6	Stationary Seal Ring 'O' Ring	EPDM FPM MVQ	2	As 6 above	
7	Rotary Seal Ring (outboard)	Carbon	2	R5610.137	9630069538
8	Rotary Seal Ring 'O' Ring	EPDM	2	1555.239	9630023539
		FPM		1551.239	9630023456
		MVQ		1554.239	9630074743

Note 1: 5* replaces 5 above.

Note 2: Where the flush pressure can be at pressure of >5 bar above the differential pressure of the pump, the squad ring is replaced by the 'O' ring (ie 2* replaces 2 above).

Note 3: to convert to double seal also requires drg item no.18 and 59.

Wave springs supplied with drg no. 3 and 7 rotary seal rings:

1	Wave Spring		2	R6300.057	9630075444
10	Wave Spring		2	R6300.067	9630075445

Revision History - SX Pump Range

Issue	Ref	Date	Description
	-	1999	SX range introduced and replaces SK MKII.
1999-09	TM	01/09/1999	New manual issue 1 ref SPM703/01
1.01	CH	17/11/2000	Pump drg item no 14A (gasket) deleted. The gaskets are no longer available and silicone sealant (item Z3717.0001) is used.
1.02	CH	17/11/2000	SX1-3 Drg. Item no. 45 revised from part number 5470.001 item 9630024417 to part number 1660.004 item 9630023546.
1.03	CH	17/11/2000	SX4-7 Drg. Item no. 45 revised from part number 5470.003 item 9630040436 to part number 1660.008 item 9630023548.
1.04	CH5827	17/11/2000	SX1-4 Drg Item no. 49 universal mounting blanking plug (qty=4) added. SX1 part number 5470.022 item 9630089950 SX2-3 part number 5470.020 item 9630087278 SX4 part number 5470.021 item 9630089949
1.05	CH10543	07/01/2002	Item numbers of rotorcases revised.
1.06		01/11/2002	SX1 Drg. Item no. 3 corrected to Qty 4 off part number 6350.146 item 9630074135 (SX1/005) and Qty 4 off part number 6350.135 item 9630052259 (SX1/007).
1.07		01/11/2002	SX1 Drg. Item no. 10 deleted (SX1/005) and part number corrected (SX1/007) to 6350.135 item 9630052259.
1.08		01/11/2002	SX3 Drg. Item no 18 corrected from part number 5380.569 item 9630057521 to part number 1551.020 item
1.09		01/11/2002	SX1-4 Drg Item no. for foot, foot gasket, and bolt renumbered from 1B, 1A, and 1C to 54-58.
1.10		01/11/2002	SX1-7 Drg Item no. 50-53 details of gland guards and fixings added.
1.11		01/11/2002	SX1-7 Drg Item no. 49 rotor retainer removal tool renumbered from 49 to 60.
1.12		01/11/2002	SX1-7 Drg Item no. 59 details of rotorcase blanking plugs and flush connections added.
1.13		01/11/2002	SX1-7 Drg Item no. 48 details of plug added.
1.14		01/11/2002	SX7 Drg Item no. 18 FPM corrected from part number 1551.230 item 9630023447 to part number 5380.248 item 9630025398.
1.15		01/11/2002	SX7 Drg Item no. 18 EPDM corrected from part number 1555.230 item 9630023537 to part number 5380.250 item 9630025437.
1.16		01/11/2002	R00 Double seal option Carbon/Stainless Steel v Carbon/Stainless Steel deleted.
1.17		01/11/2002	R00 Single mechanical seal drg item no. 1 wave spring indicated separately as it is always supplied with drg item no. 3 rotary face.
1.18		01/11/2002	SX2 R00 Single flushed mechanical seal drg item no. 5 corrected from part number R5630.122 item 9630069810 to part R5630.112 item 9630069803.
1.19		01/11/2002	SX1 R00 Single flushed mechanical seal drg item no. 6 corrected from part number 1555.123 to part number 1555.123.
1.20		01/11/2002	R00 Single flushed mechanical seal drg item no. 8 circlip deleted.
1.21		01/11/2002	R00 Double mech seal drg item no. 9 deleted.
1.22		01/11/2002	R00 Double mechanical seal drg item no. 10 wave spring indicated separately as it is always supplied with drg item no. 7 rotary face.
2	0211	01/11/2002	NEW MANUAL SX
2.01	CH10670	25/02/2003	Drg. No 18 'O' ring revised to be included in all pump specifications instead of only when flushed seals fitted.