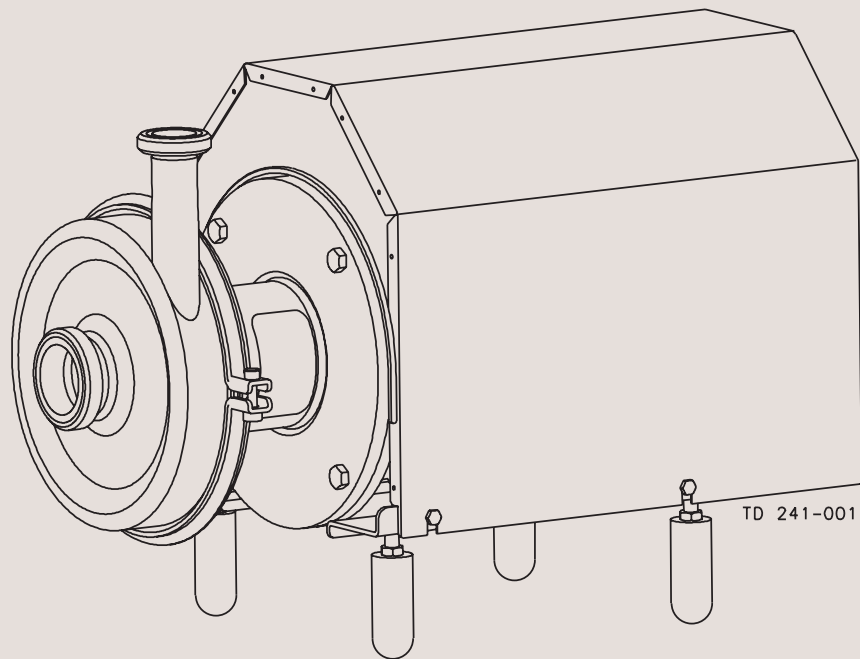




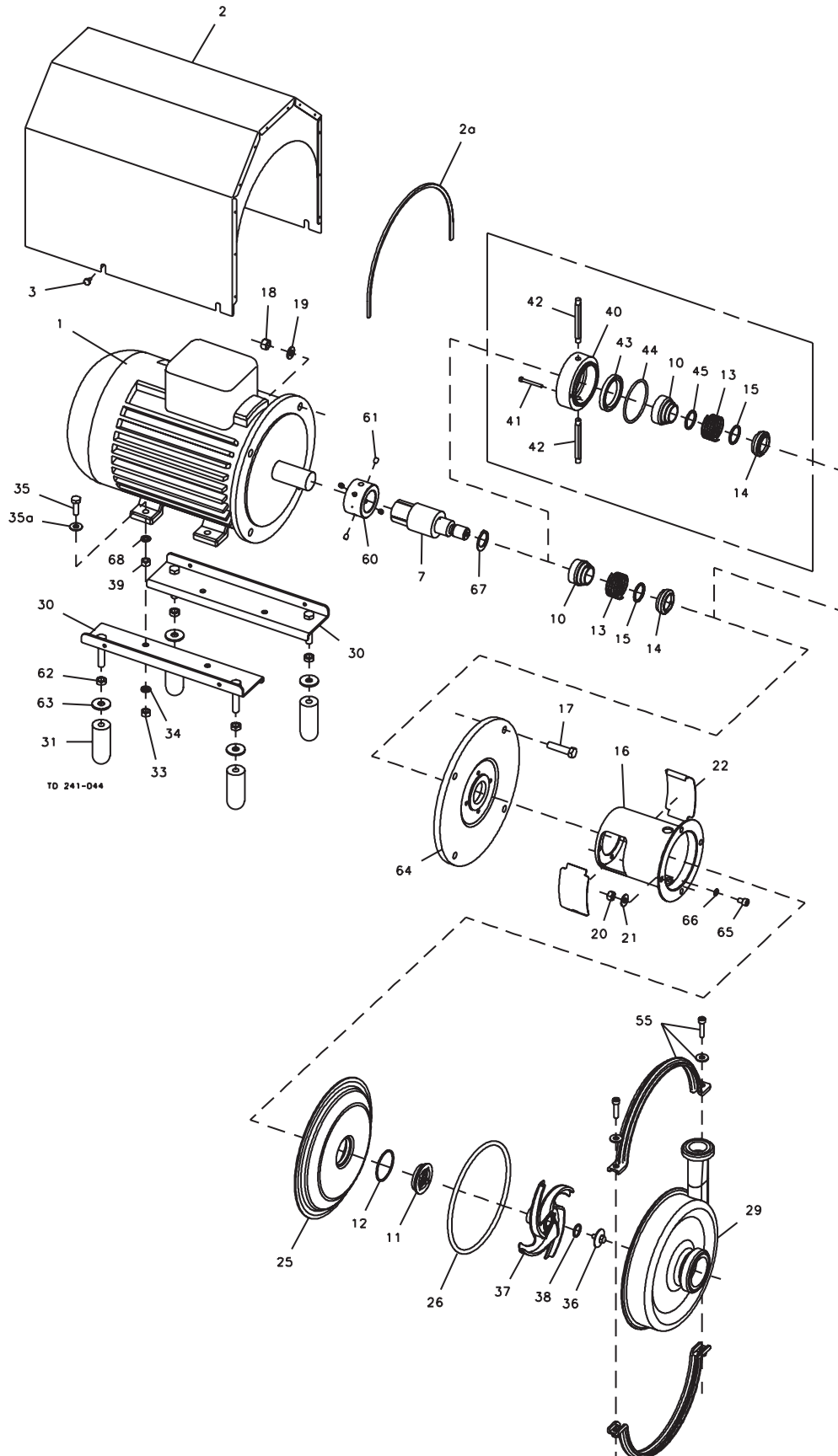
Spare Parts Manual

SolidC Pump



SP70821-GB1 2003-06

*This page shows an exploded drawing of SolidC-1.
The drawing includes all items of the pump.*



The drawing and the parts list include all items.

Pos.	Qty.	Denomination	3 kW	4 kW	5.5-7.5 kW	11 kW
3	4	Screw for shroud	9611-99-3240	9611-99-3240	9611-99-3240	9611-99-3240
7	1	Shaft	9612-9133-01	9612-9133-01	9612-9134-01	9612-9135-01
10	1	Drive ring,	9612-1377-01	9612-1377-01	9612-1377-01	9612-1377-01
		Single shaft seal				
	1	Drive ring,	9612-9268-01	9612-9268-01	9612-9268-01	9612-9268-01
		Flushed shaft seal				
16	1	Adaptor	9612-9162-01	9612-9162-01	9612-9164-01	9612-9164-01
17	4	Screw for motorflange	9611-99-2162	9611-99-2162	9611-99-2162	9611-99-2164
18	4	Nut for motorflange	9611-99-0587	9611-99-0587	9611-99-0587	9611-99-2160
19	4	Washer for motorflange	9611-99-0676	9611-99-0676	9611-99-0676	9611-99-1886
20	4	Nut for backplate	9611-99-0353	9611-99-0353	9611-99-0353	9611-99-0353
21	4	Washer for backplate	9611-99-2559	9611-99-2559	9611-99-2559	9611-99-2559
22	2	Safety guard	9612-9168-01	9612-9168-01	9612-9168-01	9612-9168-01
25	1	Backplate	9612-9114-06	9612-9114-06	9612-9114-06	9612-9114-06
26	1	O-ring for casing, EPDM ... (standard)	9611-99-4245	9611-99-4245	9611-99-4245	9611-99-4245
	1	O-ring for casing, NBR	9611-99-4246	9611-99-4246	9611-99-4246	9611-99-4246
	1	O-ring for casing, FPM	9611-99-4247	9611-99-4247	9611-99-4247	9611-99-4247
	1	O-ring for casing, FEP	9611-99-4248	9611-99-4248	9611-99-4248	9611-99-4248
29	1	Pump casing, IDF	9612-9101-08	9612-9101-08	9612-9101-08	9612-9101-08
		Pump casing, SMS	9612-9101-09	9612-9101-09	9612-9101-09	9612-9101-09
		Pump casing, DIN	9612-9101-10	9612-9101-10	9612-9101-10	9612-9101-10
		Pump casing, ISO	9612-9101-11	9612-9101-11	9612-9101-11	9612-9101-11
		Pump casing, BS	9612-9101-12	9612-9101-12	9612-9101-12	9612-9101-12
		Pump casing, DS	9612-9101-13	9612-9101-13	9612-9101-13	9612-9101-13
		Pump casing,	9612-9101-14	9612-9101-14	9612-9101-14	9612-9101-14
		sanitary flanges				
		Pump casing,	9612-9130-02	9612-9130-02	9612-9130-02	9612-9130-02
		flange DN65/DN40				
36	1	Impeller screw	9612-3627-01	9612-3627-01	9612-3627-01	9612-3627-01
37	1	Impeller	9612-9118-02	9612-9118-02	9612-9118-02	9612-9118-02
38	1	O-ring for impeller screw, ... EPDM (standard)	9611-99-2750	9611-99-2750	9611-99-2750	9611-99-2750
	1	O-ring for impeller screw, ... NBR	9611-99-2751	9611-99-2751	9611-99-2751	9611-99-2751
	1	O-ring for impeller screw, ... FPM	9611-99-2752	9611-99-2752	9611-99-2752	9611-99-2752
	1	O-ring for impeller screw, ... FEP	9611-99-3539	9611-99-3539	9611-99-3539	9611-99-3539
55	1	Clamp set	9612-9154-02	9612-9154-02	9612-9154-02	9612-9154-02
60	1	Comp. Ring	9612-9142-02	9612-9142-02	9612-9142-03	9612-9144-01
61	4	Screw for comp. Ring	9611-99-4258	9611-99-4258	9611-99-4259	9611-99-4259
64	1	Motor flange	9612-9160-02	9612-9160-02	9612-9160-03	9612-9160-04
65	4	Screw for adaptor	9611-99-4399	9611-99-4399	9611-99-4399	9611-99-4399
66	4	Spring washer for adaptor	9611-99-1888	9611-99-1888	9611-99-1888	9611-99-1888
legs						
30	2	Bracket	9612-9174-02	9612-9174-03	9612-9174-04	9612-9174-05
31	4	Legs	31460-1248-1	31460-1248-1	31460-1248-1	31460-1248-1
33	4	Nut for legs	9611-99-0353	9611-99-0353	9611-99-0353	9611-99-0587
34	4	Spring washer for legs	9611-99-1887	9611-99-1887	9611-99-1887	9611-99-0676
35	4	Screw for legs	9611-99-1374	9611-99-1911	9611-99-1374	9611-99-1834
35a	4	Washer for legs	9611-99-0786	9611-99-0786	9611-99-0786	9611-99-0706
39	4	Nut	9611-99-0587			
62	4	Nut for legs	9611-99-1829	9611-99-1829	9611-99-1829	9611-99-1829
63	4	Washer for legs	31460-0104-1	31460-0104-1	31460-0104-1	31460-0104-1
68	4	Washer for legs	9611-99-2559			

Shaft seal : See Section 1.5

Accessories

- 1 Tool for seal
- 1 Impeller gauge

Parts for Flushed Shaft Seal

- 40 1 Seal housing
- 42 2 Tube
- 41 2 Screw f.seal housing

Service kit for single shaft seal

- ☐ Service kit, EPDM . 9611-92-2471
- ☐ Service kit, NBR 9611-92-2472
- ☐ Service kit, FPM 9611-92-2473
- ☐ Service kit, FEP 9611-92-2474

Service kit for flushed shaft seal

- Service kit, EPDM . 9611-92-2479
- Service kit, NBR 9611-92-2480
- Service kit, FPM 9611-92-2481
- Service kit, FEP 9611-92-2482

Parts marked with ☐/○ are included in the service kits.

Conversion kit, single to flushed shaft seal 9611-92-2470 =

Pos.nr. 10+40+41+42+43+44+45

Surface roughness, product wetted parts: Ra ≤ 0.8 μm

Pos. Qty. Denomination 3-11kW

25	1	Backplate	9612-9114-10
29	1	Pump casing, IDF	9612-9103-08
		Pump casing, SMS	9612-9103-09
		Pump casing, DIN ...	9612-9103-10
		Pump casing, ISO	9612-9103-11
		Pump casing, BS	9612-9103-12
		Pump casing, DS	9612-9103-13
		Pump casing,	9612-9103-14
		sanitary flanges	
37	1	Impeller	9612-9118-06
36	1	Impeller screw	9612-3627-03

Pos.	Qty.	Denomination	3 kW	4 kW	5.5 kW	7.5 kW	11kW
1	1	Motor	9612-9409-05	9612-9409-07	9612-9409-10	9612-9409-12	9612-9409-14
2	1	Shroud	9612-9191-05	9612-9191-02	9612-9191-03	9612-9191-03	9612-9191-04
2a	1	Edge list for shroud (included in pos. 2)					

3 ~, 50 Hz, 220-240VΔ/380-420VY - Option

3 ~, 60 Hz, 250-280VΔ/440-480VY - Option

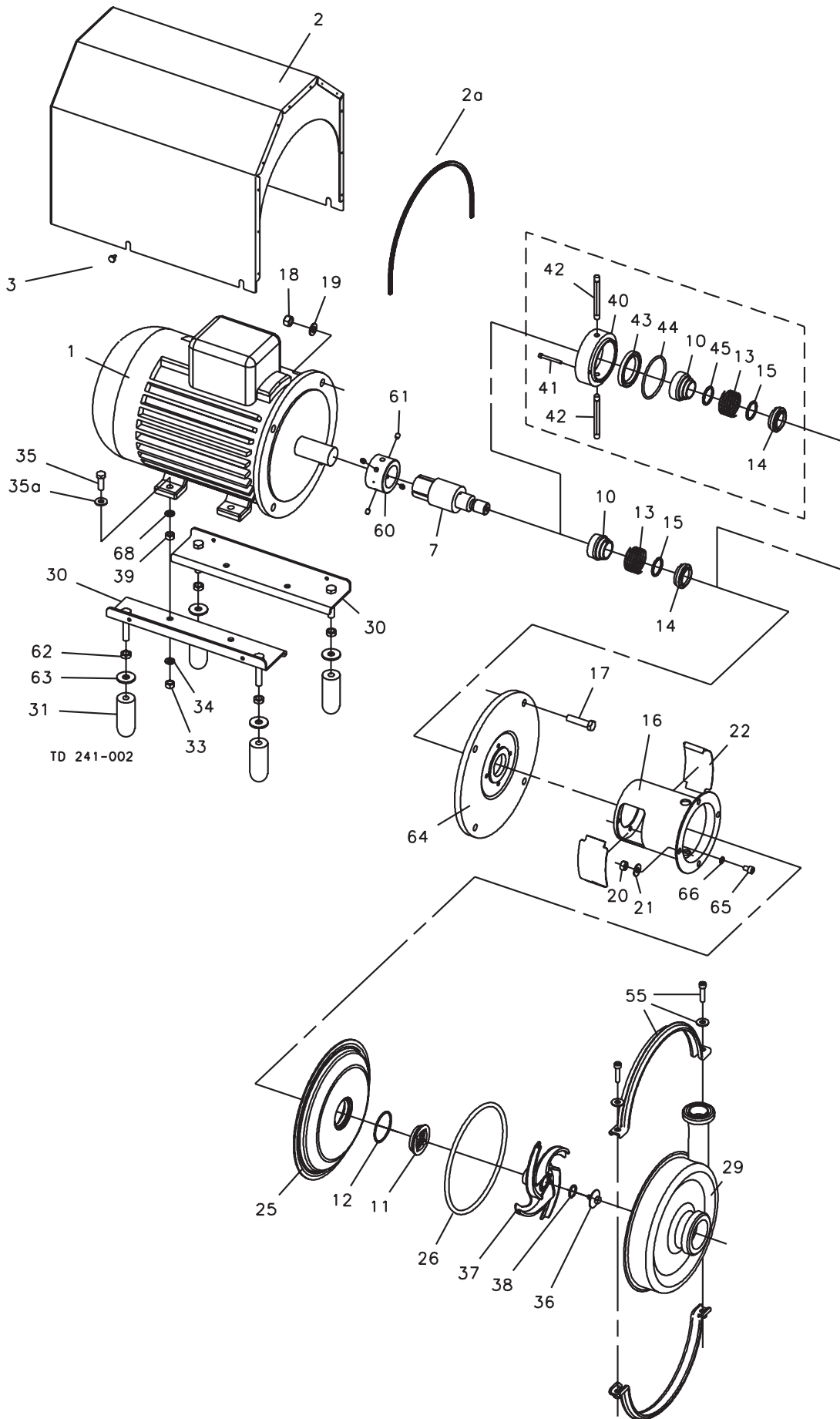
3 ~, 50 Hz, 380-420VΔ/660-690VY - Standard

3 ~, 60 Hz, 440-480VΔ - Standard

Recommended Spare parts: Service kit

9002060

This page shows an exploded drawing of SolidC-2.
The drawing includes all items of the pump.



The drawing and the parts list include all items.

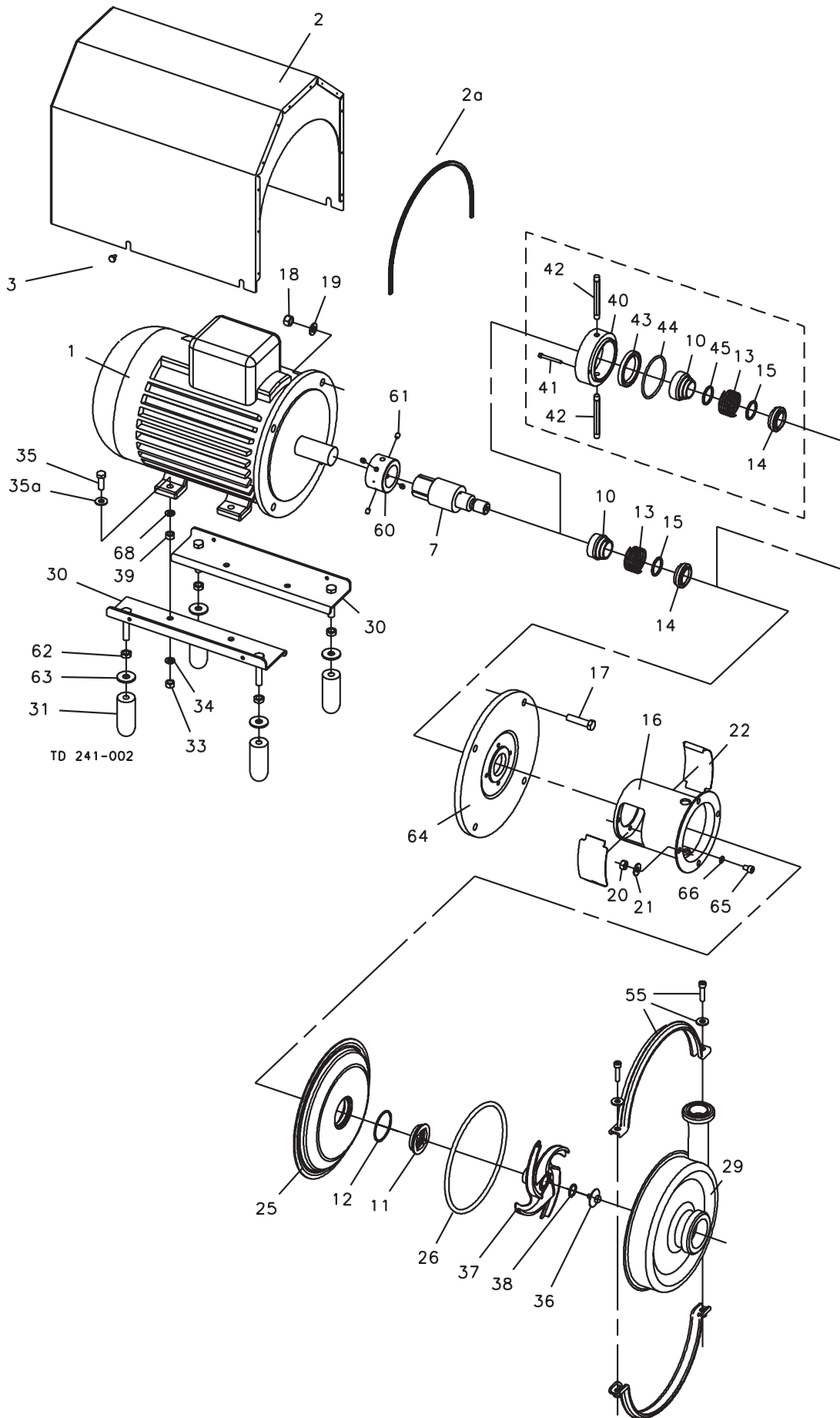
Pos.	Qty.	Denomination	5.5-7.5 kW	11-15 kW	18.5 kW																																																	
3	4	Screw for shroud	9611-99-3240	9611-99-3240	9611-99-3240	Shaft seal : See Section 1.5 Accessories 1 Tool for seal 9612-9036-01 1 Impeller gauge 9612-9128-01 Parts for Flushed Shaft Seal 40 1 Seal housing 9612-1339-01 42 2 Tube 9612-3589-14 41 2 Screw for seal housing .. 9611-99-0203 Service kit for single shaft seal <input type="checkbox"/> Service kit, EPDM 9611-92-2487 <input type="checkbox"/> Service kit, NBR 9611-92-2488 <input type="checkbox"/> Service kit, FPM 9611-92-2489 <input type="checkbox"/> Service kit, FEP 9611-92-2490 Service kit for flushed shaft seal <input type="radio"/> Service kit, EPDM 9611-92-2495 <input type="radio"/> Service kit, NBR 9611-92-2496 <input type="radio"/> Service kit, FPM 9611-92-2497 <input type="radio"/> Service kit, FEP 9611-92-2498 Parts marked with <input type="checkbox"/>/<input type="radio"/> are included in the service kits. Conversion kit, single to flushed shaft seal 9611-92-2470 = Pos.nr. 10+40+41+42+43+44+45 Surface roughness, product wetted parts: Ra ≤ 0.8 μm <table border="1"> <thead> <tr> <th>Pos.</th> <th>Qty.</th> <th>Denomination</th> <th>5.5-18.5 kW</th> </tr> </thead> <tbody> <tr> <td>25</td> <td>1</td> <td>Backplate</td> <td>9612-9114-11</td> </tr> <tr> <td>29</td> <td>1</td> <td>Pump casing, IDF</td> <td>9612-9103-15</td> </tr> <tr> <td></td> <td></td> <td>Pump casing, SMS</td> <td>9612-9103-16</td> </tr> <tr> <td></td> <td></td> <td>Pump casing, DIN</td> <td>9612-9103-17</td> </tr> <tr> <td></td> <td></td> <td>Pump casing, ISO</td> <td>9612-9103-18</td> </tr> <tr> <td></td> <td></td> <td>Pump casing, BS</td> <td>9612-9103-19</td> </tr> <tr> <td></td> <td></td> <td>Pump casing, DS</td> <td>9612-9103-20</td> </tr> <tr> <td></td> <td></td> <td>Pump casing,</td> <td>9612-9103-21</td> </tr> <tr> <td></td> <td></td> <td>sanitary flanges</td> <td></td> </tr> <tr> <td>37</td> <td>1</td> <td>Impeller</td> <td>9612-9121-06</td> </tr> <tr> <td>36</td> <td>1</td> <td>Impeller screw</td> <td>9612-3627-03</td> </tr> </tbody> </table>	Pos.	Qty.	Denomination	5.5-18.5 kW	25	1	Backplate	9612-9114-11	29	1	Pump casing, IDF	9612-9103-15			Pump casing, SMS	9612-9103-16			Pump casing, DIN	9612-9103-17			Pump casing, ISO	9612-9103-18			Pump casing, BS	9612-9103-19			Pump casing, DS	9612-9103-20			Pump casing,	9612-9103-21			sanitary flanges		37	1	Impeller	9612-9121-06	36	1	Impeller screw	9612-3627-03
Pos.	Qty.	Denomination	5.5-18.5 kW																																																			
25	1	Backplate	9612-9114-11																																																			
29	1	Pump casing, IDF	9612-9103-15																																																			
		Pump casing, SMS	9612-9103-16																																																			
		Pump casing, DIN	9612-9103-17																																																			
		Pump casing, ISO	9612-9103-18																																																			
		Pump casing, BS	9612-9103-19																																																			
		Pump casing, DS	9612-9103-20																																																			
		Pump casing,	9612-9103-21																																																			
		sanitary flanges																																																				
37	1	Impeller	9612-9121-06																																																			
36	1	Impeller screw	9612-3627-03																																																			
7	1	Shaft	9612-9134-01	9612-9135-01	9612-9135-01																																																	
10	1	Drive ring, Single shaft seal	9612-1377-01	9612-1377-01	9612-1377-01																																																	
	1	Drive ring, Flushed shaft seal	9612-9268-01	9612-9268-01	9612-9268-01																																																	
16	1	Adaptor	9612-9164-01	9612-9164-01	9612-9164-01																																																	
17	4	Screw for motorflange	9611-99-2162	9611-99-2164	9611-99-2164																																																	
18	4	Nut for motorflange	9611-99-0587	9611-99-2160	9611-99-2160																																																	
19	4	Washer for motorflange	9611-99-0676	9611-99-1886	9611-99-1886																																																	
20	4	Nut for backplate	9611-99-0353	9611-99-0353	9611-99-0353																																																	
21	4	Washer for backplate	9611-99-2559	9611-99-2559	9611-99-2559																																																	
22	2	Safety guard	9612-9168-01	9612-9168-01	9612-9168-01																																																	
25	1	Backplate	9612-9114-03	9612-9114-03	9612-9114-03																																																	
26	<input type="checkbox"/>	O-ring for casing, EPDM	9611-99-4249	9611-99-4249	9611-99-4249																																																	
	1	O-ring for casing, NBR	9611-99-4250	9611-99-4250	9611-99-4250																																																	
	1	O-ring for casing, FPM	9611-99-4251	9611-99-4251	9611-99-4251																																																	
	1	O-ring for casing, FEP	9611-99-4252	9611-99-4252	9611-99-4252																																																	
29	1	Pump casing, IDF	9612-9101-15	9612-9101-15	9612-9101-15																																																	
		Pump casing, SMS	9612-9101-16	9612-9101-16	9612-9101-16																																																	
		Pump casing, DIN	9612-9101-17	9612-9101-17	9612-9101-17																																																	
		Pump casing, ISO	9612-9101-18	9612-9101-18	9612-9101-18																																																	
		Pump casing, BS	9612-9101-19	9612-9101-19	9612-9101-19																																																	
		Pump casing, DS	9612-9101-20	9612-9101-20	9612-9101-20																																																	
		Pump casing, Sanitary flanges ...	9612-9101-21	9612-9101-21	9612-9101-21																																																	
		Pump casing,	9612-9130-03	9612-9130-03	9612-9130-03																																																	
		flange DN80/DN40																																																				
36	1	Impeller screw	9612-3627-01	9612-3627-01	9612-3627-01																																																	
37	1	Impeller	9612-9121-02	9612-9121-02	9612-9121-02																																																	
38	<input type="checkbox"/>	O-ring for impeller screw, EPDM ..	9611-99-2750	9611-99-2750	9611-99-2750																																																	
	1	O-ring for impeller screw, NBR	9611-99-2751	9611-99-2751	9611-99-2751																																																	
	1	O-ring for impeller screw, FPM	9611-99-2752	9611-99-2752	9611-99-2752																																																	
	1	O-ring for impeller screw, FEP	9611-99-3539	9611-99-3539	9611-99-3539																																																	
55	1	Clamp set	9612-9154-03	9612-9154-03	9612-9154-03																																																	
60	1	Comp. Ring	9612-9142-03	9612-9144-01	9612-9144-01																																																	
61	4	Screw for comp. Ring	9611-99-4259	9611-99-4259	9611-99-4259																																																	
64	1	Motor flange	9612-9160-03	9612-9160-04	9612-9160-04																																																	
65	4	Screw for adaptor	9611-99-4399	9611-99-4399	9611-99-4399																																																	
66	4	Spring washer for adaptor	9611-99-1888	9611-99-1888	9611-99-1888																																																	
leg																																																						
30	2	Bracket	9612-9174-04	9612-9174-05	9612-9174-06																																																	
31	4	Legs	31460-1248-1	31460-1248-1	31460-1248-1																																																	
33	4	Nut for legs	9611-99-0353	9611-99-0587	9611-99-0587																																																	
34	4	Spring washer for legs	9611-99-1887	9611-99-0676	9611-99-0676																																																	
35	4	Screw for legs	9611-99-1374	9611-99-1834	9611-99-1834																																																	
35a	4	Washer for legs	9611-99-0786	9611-99-0706	9611-99-0706																																																	
62	4	Nut for legs	9611-99-1829	9611-99-1829	9611-99-1829																																																	
63	4	Washer for legs	31460-0104-1	31460-0104-1	31460-0104-1																																																	
Pos.	Qty.	Denomination	5.5 kW	7.5 kW	11 kW	15 kW	18.5 kW																																															
1	1	Motor	9612-9409-10	9612-9409-12	9612-9409-14	9612-9409-16	9612-9409-18																																															
2	1	Shroud	9612-9191-03	9612-9191-03	9612-9191-04	9612-9191-04	9612-9191-04																																															
2a	1	Edge list for shroud (included in pos. "shroud")																																																				

3 ~, 50 Hz, 220-240VΔ/380-420VY - Option
 3 ~, 60 Hz, 250-280VΔ/440-480VY - Option

3 ~, 50 Hz, 380-420VΔ/660-690VY - Standard
 3 ~, 60 Hz, 440-480VΔ - Standard

Recommended Spare Parts : Service kits
 9000207/0

This page shows an exploded drawing of SolidC-3.
The drawing includes all items of the pump.

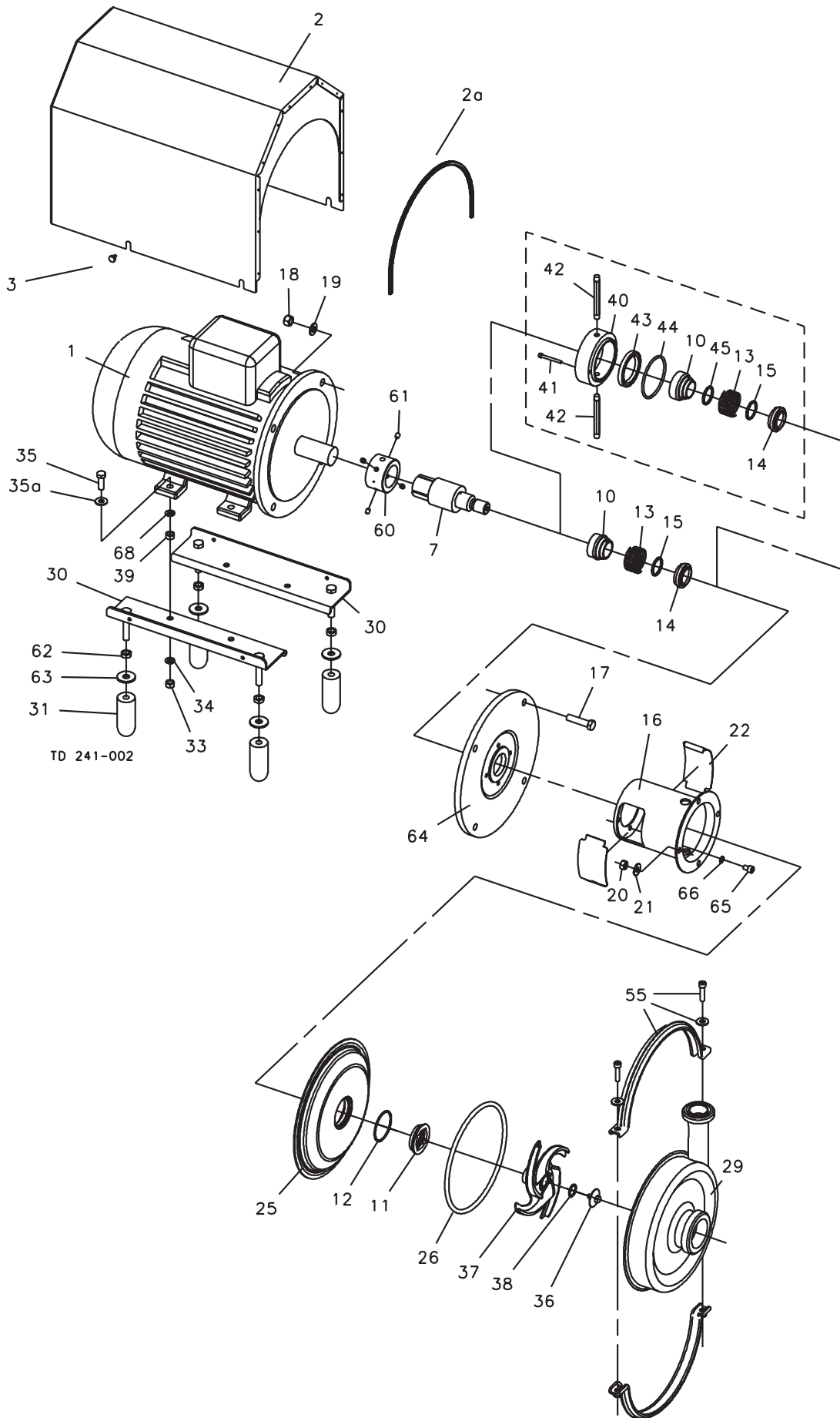


The drawing and the parts list include all items.

Pos.	Qty.	Denomination	5.5-7.5 kW	11-15 kW	18.5-22 kW	Shaft seal: See section 1.5		
3	4	Screw for shroud	9611-99-3240	9611-99-3240	9611-99-3240	Accessories		
7	1	Shaft	9612-9134-01	9612-9135-01	9612-9135-01	1	Tool for seal	
10	1	Drive ring, Single shaft seal	9612-1377-01	9612-1377-01	9612-1377-01	1	Impeller gauge	
	1	Drive ring, Flushed shaft seal	9612-9268-01	9612-9268-01	9612-9268-01	Parts for Flushed Shaft Seal		
16	1	Adaptor	9612-9164-01	9612-9164-01	9612-9164-01	40	1 Seal housing	
17	4	Screw for motorflange	9611-99-2162	9611-99-2164	9611-99-2164	42	2 Tube	
18	4	Nut for motorflange	9611-99-0587	9611-99-2160	9611-99-2160	41	2 Screw for seal housing	
19	4	Washer for motorflange	9611-99-0676	9611-99-1886	9611-99-1886	Service kit for single shaft seal		
20	4	Nut for backplate	9611-99-0353	9611-99-0353	9611-99-0353	<input type="checkbox"/> Service kit, EPDM 9611-92-2503 <input type="checkbox"/> Service kit, NBR 9611-92-2504 <input type="checkbox"/> Service kit, FPM 9611-92-2505 <input type="checkbox"/> Service kit, FEP 9611-92-2506		
21	4	Washer for backplate	9611-99-2559	9611-99-2559	9611-99-2559	Service kit for flushed shaft seal		
22	2	Safety guard	9612-9168-01	9612-9168-01	9612-9168-01	<input type="radio"/> Service kit, EPDM 9611-92-2511 <input type="radio"/> Service kit, NBR 9611-92-2512 <input type="radio"/> Service kit, FPM 9611-92-2513 <input type="radio"/> Service kit, FEP 9611-92-2514		
25	1	Backplate	9612-9114-04	9612-9114-04	9612-9114-04	Parts marked with <input type="checkbox"/>/<input type="radio"/> are included in the service kits.		
26	<input type="checkbox"/> <input type="radio"/>	O-ring for casing, EPDM (standard)	9611-99-4253	9611-99-4253	9611-99-4253	Conversion kit, single to flushed shaft seal: 9611-92-2470 =		
	1	O-ring for casing, NBR	9611-99-4254	9611-99-4254	9611-99-4254	Pos.nr. 10+40+41+42+43+44+45		
	1	O-ring for casing, FPM	9611-99-4255	9611-99-4255	9611-99-4255	Surface roughness, product wetted parts: Ra ≤ 0.8 µm		
	1	O-ring for casing, FEP	9611-99-4256	9611-99-4256	9611-99-4256	Pos. Qty. Denomination 5.5-22 kW		
29	1	Pump casing, IDF	9612-9101-22	9612-9101-22	9612-9101-22	25	1 Backplate	
		Pump casing, SMS	9612-9101-23	9612-9101-23	9612-9101-23	29	1 Pump casing, IDF	
		Pump casing, DIN	9612-9101-24	9612-9101-24	9612-9101-24		Pump casing, SMS	
		Pump casing, ISO	9612-9101-25	9612-9101-25	9612-9101-25		Pump casing, DIN	
		Pump casing, BS	9612-9101-26	9612-9101-26	9612-9101-26		Pump casing, ISO	
		Pump casing, DS	9612-9101-27	9612-9101-27	9612-9101-27		Pump casing, BS	
		Pump casing, Sanitary flanges	9612-9101-28	9612-9101-28	9612-9101-28		Pump casing, DS	
		Pump casing, flange DN80/DN50	9612-9130-04	9612-9130-04	9612-9130-04		Pump casing, sanitary flanges	
36	1	Impeller screw	9612-3627-01	9612-3627-01	9612-3627-01	37	1 Impeller	
37	1	Impeller	9612-9124-02	9612-9124-02	9612-9124-02	36	1 Impeller screw	
38	<input type="checkbox"/> <input type="radio"/>	O-ring for impeller screw, EPDM (standard)	9611-99-2750	9611-99-2750	9611-99-2750			
	1	O-ring for impeller screw, NBR	9611-99-2751	9611-99-2751	9611-99-2751			
	1	O-ring for impeller screw, FPM	9611-99-2752	9611-99-2752	9611-99-2752			
	1	O-ring for impeller screw, FEP	9611-99-3539	9611-99-3539	9611-99-3539			
55	1	Clamp set	9612-9154-04	9612-9154-04	9612-9154-04			
60	1	Comp. Ring	9612-9142-03	9612-9144-01	9612-9144-01			
61	4	Screw for comp. Ring	9611-99-4259	9611-99-4259	9611-99-4259			
64	1	Motor flange	9612-9160-03	9612-9160-04	9612-9160-04			
65	4	Screw for adaptor	9611-99-4399	9611-99-4399	9611-99-4399			
66	4	Spring washer for adaptor	9611-99-1888	9611-99-1888	9611-99-1888			
legs								
30	2	Bracket	9612-9174-04	9612-9174-05	9612-9174-06			
31	4	Legs	31460-1248-1	31460-1248-1	31460-1248-1			
33	4	Nut for legs	9611-99-0353	9611-99-0587	9611-99-0587			
34	4	Spring washer for legs	9611-99-1887	9611-99-0676	9611-99-0676			
35	4	Screw for legs	9611-99-1374	9611-99-1834	9611-99-1834			
35a	4	Washer for legs	9611-99-0786	9611-99-0706	9611-99-0706			
62	4	Nut for legs	9611-99-1829	9611-99-1829	9611-99-1829			
63	4	Washer for legs	31460-0104-1	31460-0104-1	31460-0104-1			
Pos.	Qty.	Denomination	5.5 kW	7.5 kW	11 kW	15 kW	18.5 kW	22 kW
1	1	Motor	9612-9409-10	9612-9409-12	9612-9409-14	9612-9409-16	9612-9409-18	9612-9409-20
2	1	Shroud	9612-9191-03	9612-9191-03	9612-9191-04	9612-9191-04	9612-9191-04	9612-9191-04
2a	1	Edge list for shroud (included in pos. "shroud")						
3 ~, 50 Hz, 220-240VΔ/380-420VY - Option			3 ~, 50 Hz, 380-420VΔ/660-690VY - Standard					
3 ~, 60 Hz, 250-280VΔ/440-480VY - Option			3 ~, 60 Hz, 440-480VΔ - Standard					

Recommended Spare Parts: Service kits
9002080

*This page shows an exploded drawing of SolidC-4.
The drawing includes all items of the pump.*



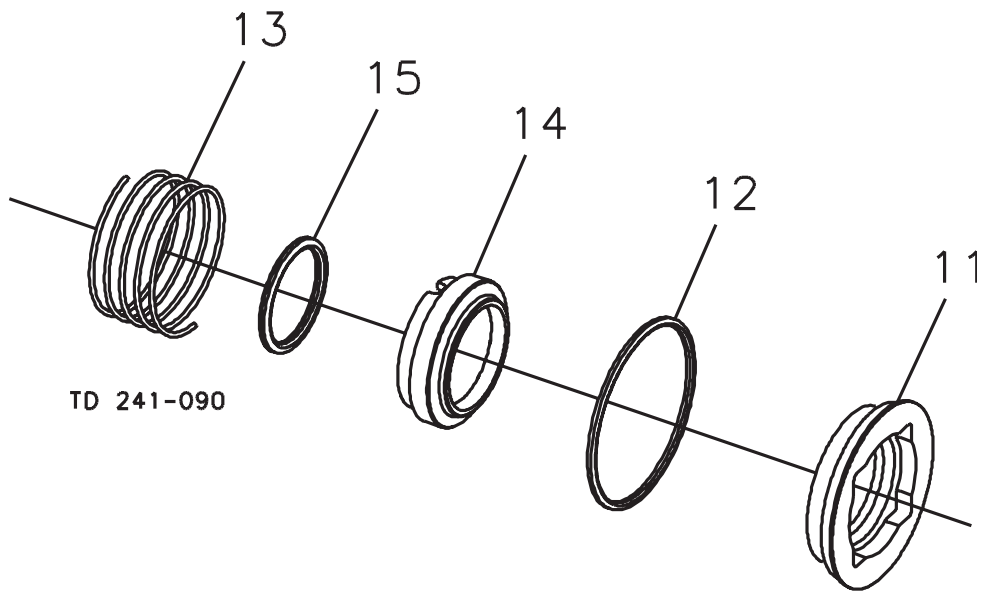
The drawing and the parts list include all items.

Pos.	Qty.	Denomination	1.5 - 22kW
Single shaft seal			
<input type="checkbox"/> Complete shaft seal, EPDM (standard) 9612-1296-09			
11	1	Stationary seal ring, SiC	9612-1379-01
12	1	O-ring, EPDM	9611-99-2149
13	1	Spring	9612-1376-01
14	1	Rotating seal ring, Carbon	9612-1364-01
15	1	O-ring, EPDM	9611-99-2145
<input type="checkbox"/> Complete shaft seal , NBR 9612-1296-10			
11	1	Stationary seal ring, SiC	9612-1379-01
12	1	O-ring, NBR	9611-99-2151
13	1	Spring	9612-1376-01
14	1	Rotating seal ring, Carbon	9612-1364-01
15	1	O-ring, NBR	9611-99-2147
<input type="checkbox"/> Complete shaft seal , FPM 9612-1296-11			
11	1	Stationary seal ring, SiC	9612-1379-01
12	1	O-ring, FPM	9611-99-2150
13	1	Spring	9612-1376-01
14	1	Rotating seal ring, Carbon	9612-1364-01
15	1	O-ring, FPM	9611-99-2146
<input type="checkbox"/> Complete shaft seal , FEP 9612-1296-12			
11	1	Stationary seal ring, SiC	9612-1379-01
12	1	O-ring, FEP	9611-99-2152
13	1	Spring	9612-1376-01
14	1	Rotating seal ring, Carbon	9612-1364-01
15	1	O-ring, FEP	9611-99-2148
Alternatives for single shaft seal			
<input type="checkbox"/> Complete shaft seal, EPDM (standard) 9612-1296-05			
11	1	Stationary seal ring, SiC	9612-1379-01
12	1	O-ring, EPDM	9611-99-2149
13	1	Spring	9612-1376-01
14	1	Rotating seal ring, SiC	9612-1364-02
15	1	O-ring, EPDM	9611-99-2145
<input type="checkbox"/> Complete shaft seal , NBR 9612-1296-06			
11	1	Stationary seal ring, SiC	9612-1379-01
12	1	O-ring, NBR	9611-99-2151
13	1	Spring	9612-1376-01
14	1	Rotating seal ring, SiC	9612-1364-02
15	1	O-ring, NBR	9611-99-2147
<input type="checkbox"/> Complete shaft seal , FPM 9612-1296-07			
11	1	Stationary seal ring, SiC	9612-1379-01
12	1	O-ring, FPM	9611-99-2150
13	1	Spring	9612-1376-01
14	1	Rotating seal ring, SiC	9612-1364-02
15	1	O-ring, FPM	9611-99-2146
<input type="checkbox"/> Complete shaft seal , FEP 9612-1296-08			
11	1	Stationary seal ring, SiC	9612-1379-01
12	1	O-ring, FEP	9611-99-2152
13	1	Spring	9612-1376-01
14	1	Rotating seal ring, SiC	9612-1364-02
15	1	O-ring, FEP	9611-99-2148
Pos. Qty. Denomination 1.5 - 22kW			
Flushed shaft seal			
<input checked="" type="checkbox"/> Complete shaft seal , EPDM (standard) 9612-9193-01			
11	1	Stationary seal ring, SiC	9612-1379-01
12	1	O-ring, EPDM	9611-99-2149
13	1	Spring	9612-1376-01
14	1	Rotating seal ring, Carbon	9612-1364-01
15	1	O-ring, EPDM	9611-99-2145
44	1	O-ring for seal housing EPDM	9611-99-2153
45	1	O-ring for drive ring	9611-99-2145
43	1	Lip seal	9611-99-3587

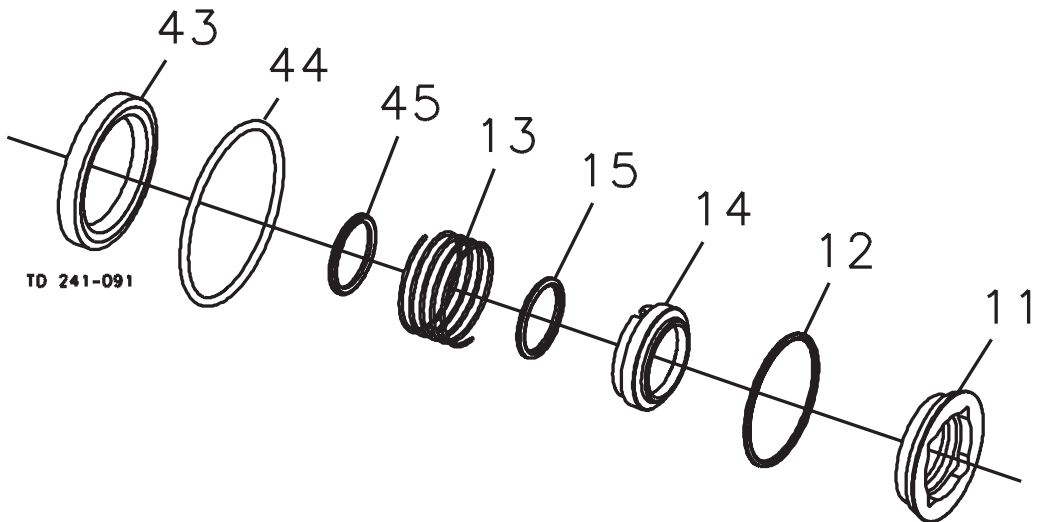
Pos.	Qty.	Denomination	1.5 - 22kW
<input checked="" type="checkbox"/> Complete shaft seal , NBR 9612-9193-02			
11	1	Stationary seal ring, SiC	9612-1379-01
12	1	O-ring, NBR	9611-99-2151
13	1	Spring	9612-1376-01
14	1	Rotating seal ring, Carbon	9612-1364-01
15	1	O-ring, NBR	9611-99-2147
44	1	O-ring for seal housing EPDM	9611-99-2153
45	1	O-ring for drive ring	9611-99-2145
43	1	Lip seal	9611-99-3587
<input checked="" type="checkbox"/> Complete shaft seal , FPM 9612-9193-03			
11	1	Stationary seal ring, SiC	9612-1379-01
12	1	O-ring, FPM	9611-99-2150
13	1	Spring	9612-1376-01
14	1	Rotating seal ring, Carbon	9612-1364-01
15	1	O-ring, FPM	9611-99-2146
44	1	O-ring for seal housing EPDM	9611-99-2153
45	1	O-ring for drive ring	9611-99-2145
43	1	Lip seal	9611-99-3587
<input checked="" type="checkbox"/> Complete shaft seal , FEP 9612-9193-04			
11	1	Stationary seal ring, SiC	9612-1379-01
12	1	O-ring, FEP	9611-99-2152
13	1	Spring	9612-1376-01
14	1	Rotating seal ring, Carbon	9612-1364-01
15	1	O-ring, FEP	9611-99-2148
44	1	O-ring for seal housing EPDM	9611-99-2153
45	1	O-ring for drive ring	9611-99-2145
43	1	Lip seal	9611-99-3587
Alternatives for flushed shaft seal			
<input checked="" type="checkbox"/> Complete shaft seal , EPDM 9612-9193-05			
11	1	Stationary seal ring, SiC	9612-1379-01
12	1	O-ring, EPDM	9611-99-2149
13	1	Spring	9612-1376-01
14	1	Rotating seal ring, SiC	9612-1364-02
15	1	O-ring, EPDM	9611-99-2145
44	1	O-ring for seal housing EPDM	9611-99-2153
45	1	O-ring for drive ring	9611-99-2145
43	1	Lip seal	9611-99-3587
<input type="checkbox"/> Complete shaft seal , NBR 9612-9193-06			
11	1	Stationary seal ring, SiC	9612-1379-01
12	1	O-ring, NBR	9611-99-2151
13	1	Spring	9612-1376-01
14	1	Rotating seal ring, SiC	9612-1364-02
15	1	O-ring, NBR	9611-99-2147
44	1	O-ring for seal housing EPDM	9611-99-2153
45	1	O-ring for drive ring	9611-99-2145
43	1	Lip seal	9611-99-3587
<input type="checkbox"/> Complete shaft seal , FPM 9612-9193-07			
11	1	Stationary seal ring, SiC	9612-1379-01
12	1	O-ring, FPM	9611-99-2150
13	1	Spring	9612-1376-01
14	1	Rotating seal ring, SiC	9612-1364-02
15	1	O-ring, FPM	9611-99-2146
44	1	O-ring for seal housing EPDM	9611-99-2153
45	1	O-ring for drive ring	9611-99-2145
43	1	Lip seal	9611-99-3587
<input type="checkbox"/> Complete shaft seal , FEP 9612-9193-08			
11	1	Stationary seal ring, SiC	9612-1379-01
12	1	O-ring, FEP	9611-99-2152
13	1	Spring	9612-1376-01
14	1	Rotating seal ring, SiC	9612-1364-02
15	1	O-ring, FEP	9611-99-2148
44	1	O-ring for seal housing EPDM	9611-99-2153
45	1	O-ring for drive ring	9611-99-2145
43	1	Lip seal	9611-99-3587

*This page shows an exploded drawing of SolidC shaft seals.
The drawing includes all items of the seals.*

Single Shaft Seal



Flushed Shaft Seal



How to contact Alfa Laval

Contact details for all countries are continually updated on our website. Please visit www.alfalaval.com to access the information direct.