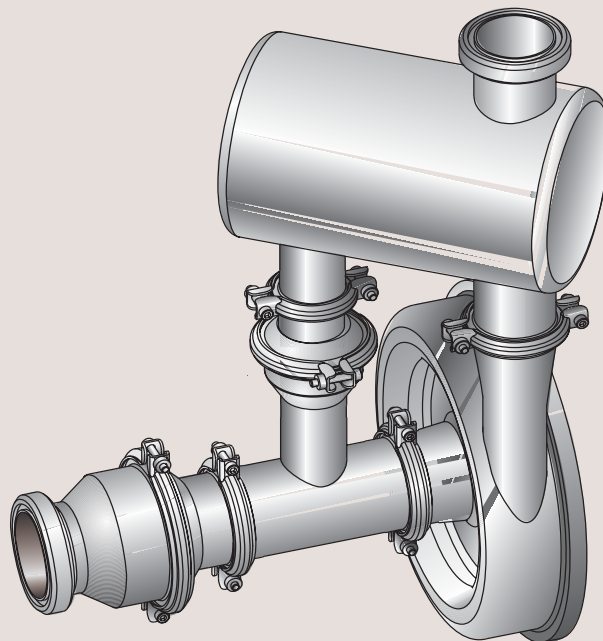




Spare Parts (Appendix)

LKHSP Self-Priming Centrifugal Pump



NOTE!

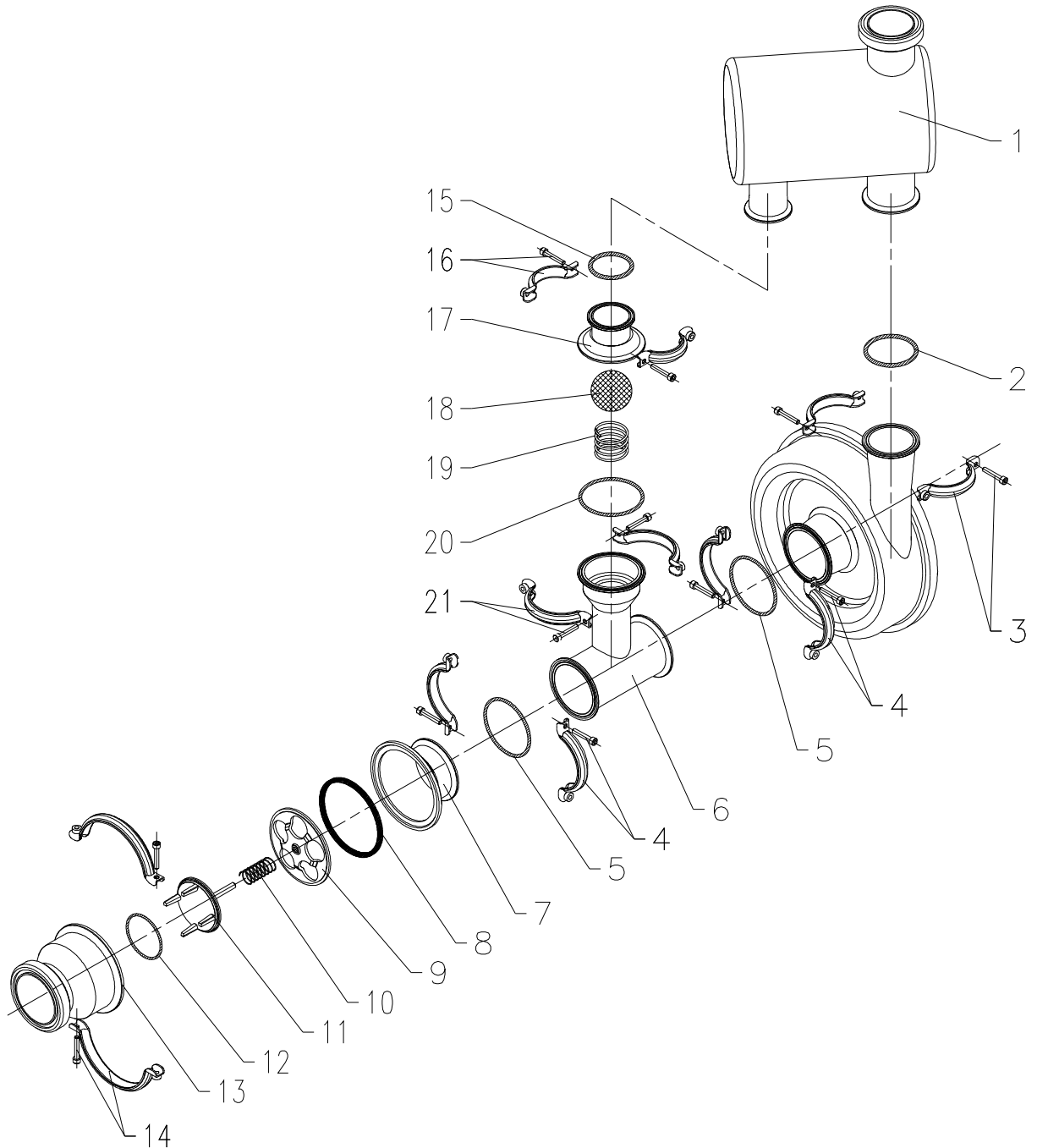
This is an appendix to Spare Parts SP 70737 for LKH Centrifugal pump.

The appendix must be used in connection with SP 70737 to ensure correct installation, operation and maintenance of the self-priming unit.

Non-specified information is identical with the data for the standard LKH pump.

LKHSP Self-priming Centrifugal Pump

2



LKHSP Self-priming Centrifugal Pump

Pos.	Qty.	Denomination	LKHSP-10	LKHSP-20	LKHSP-25	LKHSP-35	LKHSP-40
1	1	Tank complete, SMS					
	1	Tank complete, IDF					
	1	Tank complete, BS					
	1	Tank complete, DIN		Not available as spares			
	1	Tank complete, ISO-clamp					
	1	Tank complete, DS					
2 Δ	1	Seal ring, ISO-clamp, EPDM (standard) ..	9611-99-1360	9611-99-1360	9611-99-1361	9611-99-1360	9611-99-1361
	1	Seal ring, ISO-clamp, NBR	9611-99-0767	9611-99-0767	9611-99-0768	9611-99-0767	9611-99-0768
	1	Seal ring, ISO-clamp, FPM	9611-99-1892	9611-99-1892	9611-99-1893	9611-99-1892	9611-99-1893
3	1	Clamp ring complete	9611-31-105-2	9611-31-105-2	9611-31-105-3	9611-31-105-3	9611-31-105-3
4	2	Clamp ring complete	9611-31-105-3	9611-31-105-3	9611-31-105-4	9611-31-105-3	9611-31-105-4
5 Δ	2	Seal ring, ISO-clamp, EPDM (standard) ..	9611-99-1361	9611-99-1361	9611-99-1362	9611-99-1361	9611-99-1362
	2	Seal ring, ISO-clamp, NBR	9611-99-0768	9611-99-0768	9611-99-0769	9611-99-0768	9611-99-0769
	2	Seal ring, ISO-clamp, FPM	9611-99-1893	9611-99-1893	9611-99-1894	9611-99-1893	9611-99-1894
6	1	Tee, ISO-clamp		Not available as spares			
7	1	Liner, ISO-clamp					
8 Δ	1	Seal ring, EPDM (standard)	9611-25-315-3	9611-25-315-3	9611-25-315-4	9611-25-315-3	9611-25-315-4
	1	Seal ring, NBR	9611-25-381-3	9611-25-381-3	9611-25-381-4	9611-25-381-3	9611-25-381-4
	1	Seal ring, FPM	9611-25-382-3	9611-25-382-3	9611-25-382-4	9611-25-382-3	9611-25-382-4
9	1	Guide plate	9612-2208-04	9612-2208-04	9612-2208-05	9612-2208-04	9612-2208-05
10	1	Spring	9611-99-1680	9611-99-1680	9611-99-1681	9611-99-1680	9611-99-1681
11	1	Valve cone	9612-2207-04	9612-2207-04	9612-2207-05	9612-2207-04	9612-2207-05
12 Δ	1	O-ring, EPDM (standard)	9611-99-0065	9611-99-0065	9611-99-0066	9611-99-0065	9611-99-0066
	1	O-ring, NBR	9611-99-1413	9611-99-1413	9611-99-1414	9611-99-1413	9611-99-1414
	1	O-ring, FPM	9611-99-1420	9611-99-1420	9611-99-1421	9611-99-1420	9611-99-1421
13	1	Valve body, SMS					
	1	Valve body, IDF					
	1	Valve body, BS		Not available as spares			
	1	Valve body, DIN					
	1	Valve body, ISO-clamp					
	1	Valve body, DS					
14	1	Clamp ring complete	9611-31-105-5	9611-31-105-5	9611-31-105-6	9611-31-105-5	9611-31-105-6
15 Δ	1	Seal ring, ISO-clamp, EPDM (standard) ..	9611-99-1360	9611-99-1360	9611-99-1360	9611-99-1360	9611-99-1360
	1	Seal ring, ISO-clamp, NBR	9611-99-0767	9611-99-0767	9611-99-0767	9611-99-0767	9611-99-0767
	1	Seal ring, ISO-clamp, FPM	9611-99-1892	9611-99-1892	9611-99-1892	9611-99-1892	9611-99-1892
16	1	Clamp complete	9611-31-105-2	9611-31-105-2	9611-31-105-2	9611-31-105-2	9611-31-105-2
17	1	Welding liner, ISO-clamp		Not available as spares			
18	1	Ball, PP	9612-5413-01	9612-5413-01	9612-5413-01	9612-5413-01	9612-5413-01
19	1	Spring	9612-5354-01	9612-5354-01	9612-5354-01	9612-5354-01	9612-5354-01
20	1	Seal ring, EPDM (standard)	9611-99-1362	9611-99-1362	9611-99-1362	9611-99-1362	9611-99-1362
	1	Seal ring, NBR	9611-99-0769	9611-99-0769	9611-99-0769	9611-99-0769	9611-99-0769
	1	Seal ring, FPM	9611-99-1894	9611-99-1894	9611-99-1894	9611-99-1894	9611-99-1894
21	2	Clamp ring complete	9611-31-105-4	9611-31-105-4	9611-31-105-4	9611-31-105-4	9611-31-105-4
Δ		Service kit, EPDM	9611-92-2248	9611-92-2248	9611-92-2251	9611-92-2248	9611-92-2251
Δ		Service kit, NBR	9611-92-2249	9611-92-2249	9611-92-2252	9611-92-2249	9611-92-2252
Δ		Service kit, FPM	9611-92-2250	9611-92-2250	9611-92-2253	9611-92-2250	9611-92-2253

Recommended Spare Parts: Service kits.
900001/1

How to contact Alfa Laval

Contact details for all countries are continually updated on our website. Please visit www.alfalaval.com to access the information direct.