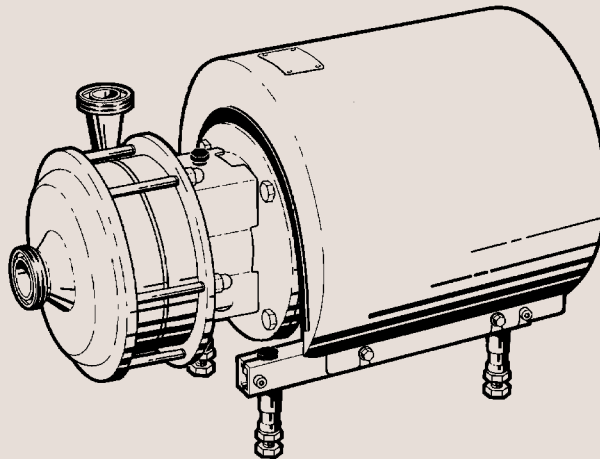


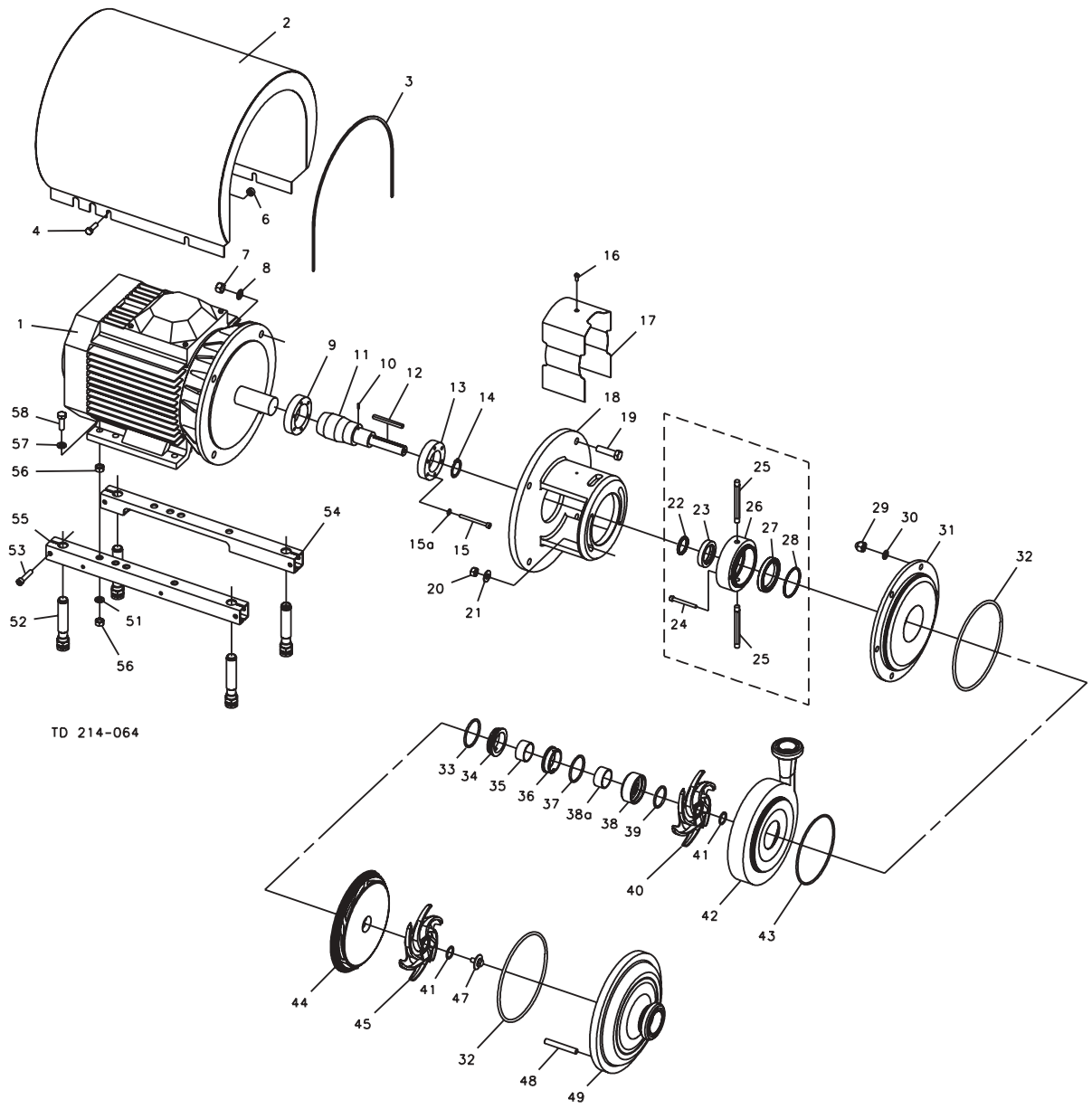


Spare Parts

LKH-110, -120 Multi-Stage Centrifugal Pump



SP70777-GB5 2003-02

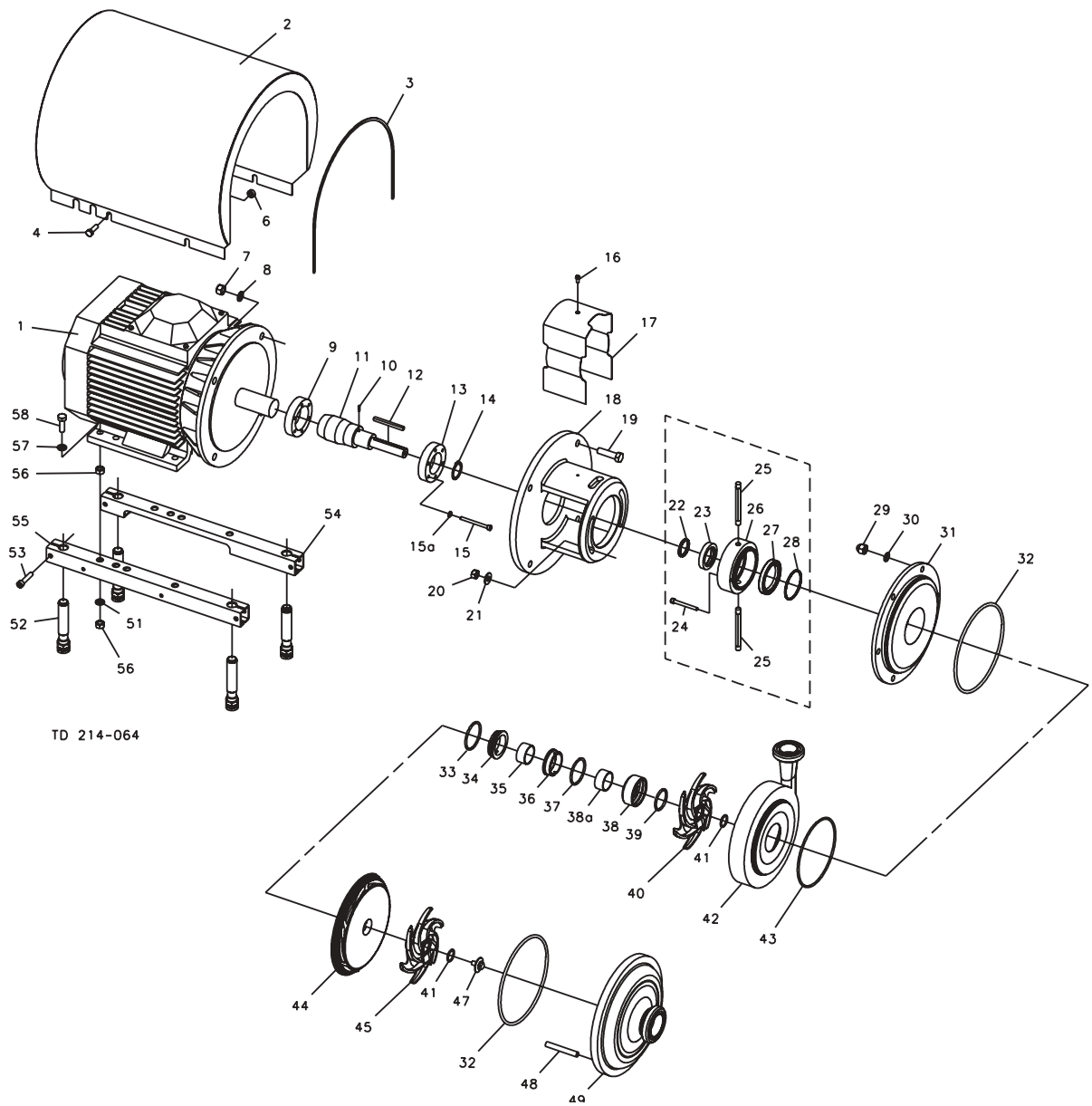


1. Parts List / Exploded Drawing

1.2 LKH-112, Single and Flushed Shaft Seal

Pos.	Qty.	Denomination	2.2 kW	3 kW	4 kW	5.5-7.5 kW	11-18.5 kW
4	4	Screw	9611-99-3240	9611-99-3240	9611-99-3240	9611-99-3240	9611-99-3241
6	4	Spacing sleeve				9611-99-2737	31438-0390-2
7	4	Nut for adaptor	9611-99-0353	9611-99-0587	9611-99-0587	9611-99-0587	9611-99-2160
8	4	Washer for adaptor	9611-99-1887	9611-99-0676	9611-99-0676	9611-99-0676	9611-99-1886
9	1	Compression ring with thread	9612-1336-01	9612-1336-02	9612-1336-02	9612-1336-05	9612-1336-03
10	1	Connex pin	9611-99-0622	9611-99-0622	9611-99-0622	9611-99-0622	9611-99-0622
11	1	Shaft		9612-3619-01	9612-3619-01	9612-3620-01	9612-3621-01
	1	Shaft with retaining ring (pos.14)	9612-3896-01				
	1	Shaft with pin (pos.10)		9612-3619-03	9612-3619-03	9612-3620-04	9612-3621-04
	1	Shaft with retaining ring (14) and pin (10)	9612-3896-02				
12	1	Key	9611-99-2756	9611-99-2756	9611-99-2756	9611-99-2756	9611-99-2756
13	1	Compression ring without thread	9612-1337-01	9612-1337-02	9612-1337-02	9612-1337-05	9612-1337-03
14	1	Retaining ring	9611-99-2307				
15	6	Screw	9611-99-3196	9611-99-3196	9611-99-3196	9611-99-3197	9611-99-3197
15a	6	Washer	9611-99-3199	9611-99-3199	9611-99-3199	9611-99-3199	9611-99-3199
16	1	Screw for adaptor guard	9611-99-3239	9611-99-3239	9611-99-3239	9611-99-3239	9611-99-3239
17	1	Adaptor guard	9612-1311-05	9612-1311-06	9612-1311-06	9612-1311-07	9612-1311-08
18	1	Adaptor	9612-3423-01	9612-3424-01	9612-3424-01	9612-3425-01	9612-3426-01
19	4	Screw for adaptor	9611-99-2161	9611-99-1834	9611-99-1834	9611-99-2162	9611-99-2163
20	2	Nut	9611-99-0353	9611-99-0353	9611-99-0353	9611-99-0353	9611-99-0353
21	2	Washer	9611-99-2559	9611-99-2559	9611-99-2559	9611-99-2559	9611-99-2559
29	6	Cap nut	9611-99-2593	9611-99-2593	9611-99-2593	9611-99-2593	9611-99-2593
30	6	Washer	9611-99-1887	9611-99-1887	9611-99-1887	9611-99-1887	9611-99-1887
31	1	Back plate (LKH-112 0-10 bar)	9612-3892-08	9612-3892-08	9612-3892-08	9612-3892-08	9612-3892-08
	1	Back plate (LKH-112/P 10-40 bar)	9612-3892-14	9612-3892-14	9612-3892-14	9612-3892-14	9612-3892-14
32Δ	2	O-ring, EPDM (standard)	9611-99-2744	9611-99-2744	9611-99-2744	9611-99-2744	9611-99-2744
	2	O-ring, NBR	9611-99-2745	9611-99-2745	9611-99-2745	9611-99-2745	9611-99-2745
	2	O-ring, FPM	9611-99-2746	9611-99-2746	9611-99-2746	9611-99-2746	9611-99-2746
35	1	Spacing ring	9612-3625-01	9612-3625-01	9612-3625-01	9612-3625-01	9612-3625-01
38	1	Rotating seal housing	9612-3624-01	9612-3624-01	9612-3624-01	9612-3624-01	9612-3624-01
40	1	Impeller	9612-3604-01	9612-3604-01	9612-3604-01	9612-3604-01	9612-3604-01
41Δ○	2	O-ring, EPDM (standard)	9611-99-2750	9611-99-2750	9611-99-2750	9611-99-2750	9611-99-2750
	2	O-ring, NBR	9611-99-2751	9611-99-2751	9611-99-2751	9611-99-2751	9611-99-2751
	2	O-ring, FPM	9611-99-2752	9611-99-2752	9611-99-2752	9611-99-2752	9611-99-2752
42	1	Pump casing, IDF	9612-3889-01	9612-3889-01	9612-3889-01	9612-3889-01	9612-3889-01
	1	Pump casing, SMS	9612-3889-02	9612-3889-02	9612-3889-02	9612-3889-02	9612-3889-02
	1	Pump casing, DIN	9612-3889-03	9612-3889-03	9612-3889-03	9612-3889-03	9612-3889-03
	1	Pump casing, ISO	9612-3889-04	9612-3889-04	9612-3889-04	9612-3889-04	9612-3889-04
	1	Pump casing, BS	9612-3889-05	9612-3889-05	9612-3889-05	9612-3889-05	9612-3889-05
	1	Pump casing, flange DN40	9612-3894-01	9612-3894-01	9612-3894-01	9612-3894-01	9612-3894-01
43Δ○	1	O-ring, EPDM (standard)	9611-99-2747	9611-99-2747	9611-99-2747	9611-99-2747	9611-99-2747
	1	O-ring, NBR	9611-99-2748	9611-99-2748	9611-99-2748	9611-99-2748	9611-99-2748
	1	O-ring, FPM	9611-99-2749	9611-99-2749	9611-99-2749	9611-99-2749	9611-99-2749
44	1	Guide vanes	9612-3613-01	9612-3613-01	9612-3613-01	9612-3613-01	9612-3613-01
45	1	Impeller	9612-3605-01	9612-3605-01	9612-3605-01	9612-3605-01	9612-3605-01
47	1	Impeller screw	9612-3627-01	9612-3627-01	9612-3627-01	9612-3627-01	9612-3627-01
48	6	Bolt	9612-3635-01	9612-3635-01	9612-3635-01	9612-3635-01	9612-3635-01
49	1	Pump cover, IDF	9612-3893-01	9612-3893-01	9612-3893-01	9612-3893-01	9612-3893-01
	1	Pump cover, SMS	9612-3893-02	9612-3893-02	9612-3893-02	9612-3893-02	9612-3893-02
	1	Pump cover, DIN	9612-3893-03	9612-3893-03	9612-3893-03	9612-3893-03	9612-3893-03
	1	Pump cover, ISO	9612-3893-04	9612-3893-04	9612-3893-04	9612-3893-04	9612-3893-04
	1	Pump cover, BS	9612-3893-05	9612-3893-05	9612-3893-05	9612-3893-05	9612-3893-05
	1	Pump cover, flange DN50	9612-3895-01	9612-3895-01	9612-3895-01	9612-3895-01	9612-3895-01
Legs							
50	4	Nut	9611-99-0360	9611-99-0353	9611-99-0353	9611-99-0353	9611-99-0587
51	4	Spring washer	9611-99-1888	9611-99-1887	9611-99-1887	9611-99-1887	9611-99-0676
52	4	Leg	9612-3967-01	9612-3967-01	9612-3967-01	9612-3967-01	9612-3967-01
53	4	Screw (Period 9711-)	9611-99-1126	9611-99-1126	9611-99-1126	9611-99-1126	9611-99-1126
	4	Screw (Period -9711)	9611-99-1907	9611-99-1907	9611-99-1907	9611-99-1907	9611-99-1907
54	1	Support bar, left	9612-1323-01	9612-1323-05	9612-1323-05	9612-1323-06	9612-1323-03
55	1	Support bar, right	9612-1322-01	9612-1322-05	9612-1322-05	9612-1322-06	9612-1322-03
56	4	Nut		9611-99-0587			
57	4	Washer		9611-99-0786	9611-99-0786	9611-99-0786	9611-99-0706
58	4	Screw	9611-99-3241	9611-99-1374	9611-99-1911	9611-99-1911	9611-99-1834

(Same drawing as on page 2)



Pos.	Qty.	Denomination	2.2 kW	3 kW	4 kW	5.5kW	7.5 kW
1	1	Motor 220/240 VD	31801-1983-1	31801-1984-1	9612-4028-07	9612-4028-15	9612-4028-30
	1	Motor 380/420 VD	31801-1983-2	31801-1984-2	9612-4028-09	9612-4028-17	9612-4028-32
	1	*Special motor 220/240 VD	9612-4189-03		9612-4189-07	9612-4189-09	9612-4189-11
	1	*Special motor 380/420 VD	9612-4189-04		9612-4189-08	9612-4189-10	9612-4189-12
2	1	Shroud complete	9612-1390-01	9612-1390-02	9612-1390-03	9612-1390-08	9612-1390-08
3	1	Edge list (Included in pos. 2)	9612-1338-01	9612-1338-02	9612-1338-03	9612-1338-04	9612-1338-04

* For system pressure 10-40 bar.

Pos.	Qty.	Denomination	11kW	15 kW	18.5 kW
1	1	Motor 220/240 VD	31801-0122-1	31801-1194-1	9712-3454-13
	1	Motor 380/420 VD	31801-0122-3	31801-1194-3	9612-3454-14
	1	*Special motor 220/240 VD	9612-4189-13	9612-4189-15	9612-4189-17
	1	*Special motor 380/420 VD	9612-4189-14	9612-4189-16	9612-4189-18
2	1	Shroud complete	9612-1390-05	9612-1390-05	9612-1390-05
3	1	Edge list (Included in pos. 2)	9612-1338-05	9612-1338-05	9612-1338-05

* For system pressure 10-40 bar.

Service kit for single shaft seal

- Δ Service kit, EPDM..... 9611-92-2096
- Δ Service kit, NBR..... 9611-92-2097
- Δ Service kit, FPM..... 9611-92-2098

Service kit for flused shaft seal

- Service kit, EPDM. 9611-92-2099
- Service kit, NBR. 9611-92-2100
- Service kit, FPM. 9611-92-2101

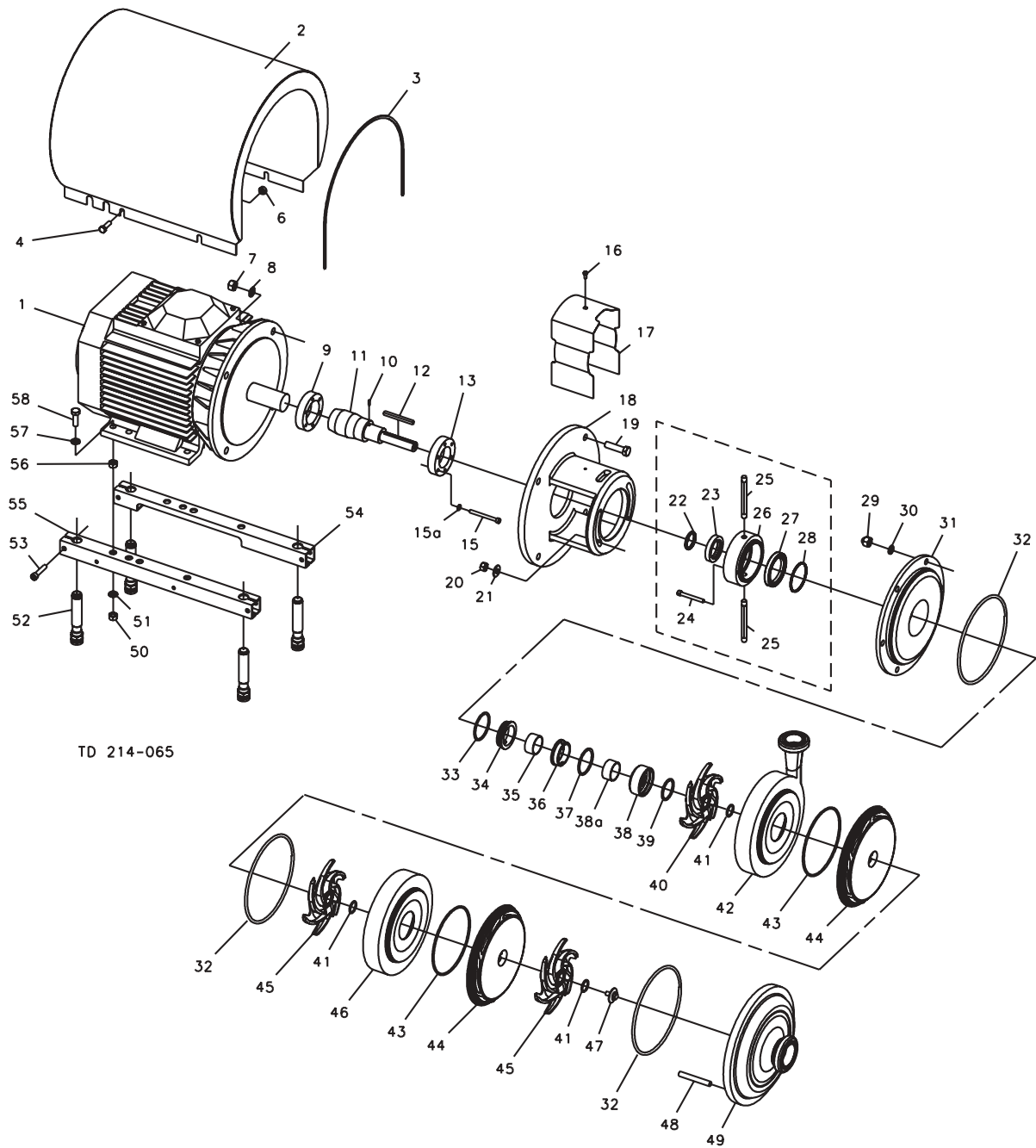
Parts marked with Δ/○ are included in the service kits.

Conversion kit single to flushed shaft seal

9611-92-2138 = Pos. 22+23+24+25+26+27+28

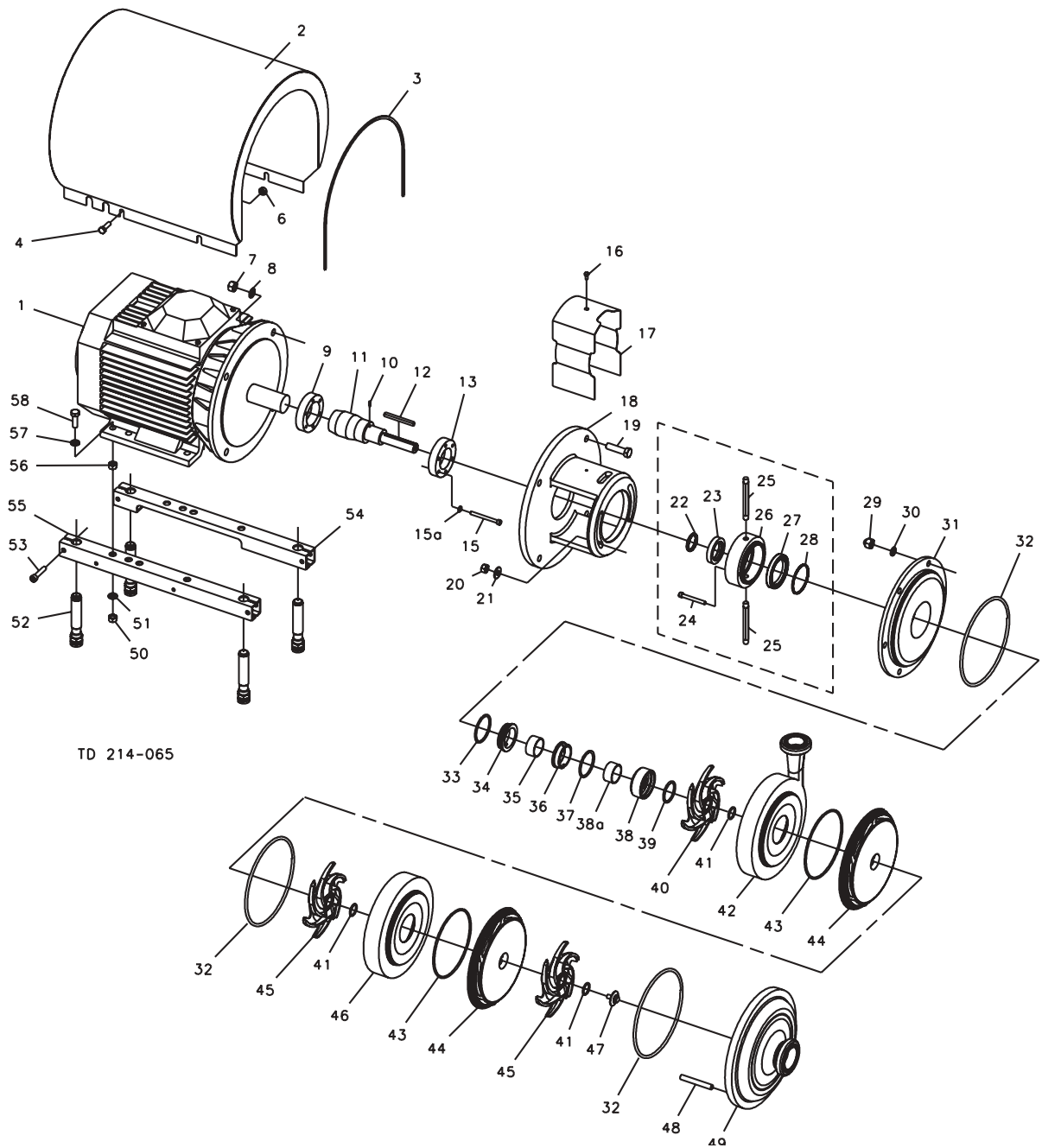
Recommended Spare Parts: Service kits.

900022/0



Pos.	Qty.	Denomination	3 kW	4 kW	5.5-7.5 kW	11-18.5 kW
4	4	Screw	9611-99-3240	9611-99-3240	9611-99-3240	9611-99-3241
6	4	Spacing sleeve			9611-99-2737	31438-0390-2
7	4	Nut for adaptor	9611-99-0587	9611-99-0587	9611-99-0587	9611-99-2160
8	4	Washer for adaptor	9611-99-0676	9611-99-0676	9611-99-0676	9611-99-1886
9	1	Compression ring with thread	9612-1336-02	9612-1336-02	9612-1336-05	9612-1336-03
10	1	Connex pin	9611-99-0622	9611-99-0622	9611-99-0622	9611-99-0622
11	1	Shaft	9612-3619-02	9612-3619-02	9612-3620-02	9612-3621-02
	1	Shaft with pin (pos.10)	9612-3619-04	9612-3619-04	9612-3620-05	9612-3621-05
12	1	Key	9611-99-2757	9611-99-2757	9611-99-2757	9611-99-2757
13	1	Compression ring without thread	9612-1337-02	9612-1337-02	9612-1337-05	9612-1337-03
15	6	Screw	9611-99-3196	9611-99-3196	9611-99-3197	9611-99-3198
15a	6	Washer	9611-99-3199	9611-99-3199	9611-99-3199	9611-99-3199
16	1	Screw for adaptor guard	9611-99-3239	9611-99-3239	9611-99-3239	9611-99-3239
17	1	Adaptor guard	9612-1311-06	9612-1311-06	9612-1311-07	9612-1311-08
18	1	Adaptor	9612-3424-01	9612-3424-01	9612-3425-01	9612-3426-01
19	4	Screw for adaptor	9611-99-1834	9611-99-1834	9611-99-2162	9611-99-2163
20	2	Nut	9611-99-0353	9611-99-0353	9611-99-0353	9611-99-0353
21	2	Washer	9611-99-2559	9611-99-2559	9611-99-2559	9611-99-2559
29	6	Cap nut	9611-99-2593	9611-99-2593	9611-99-2593	9611-99-2593
30	6	Washer	9611-99-1887	9611-99-1887	9611-99-1887	9611-99-1887
31	1	Back plate (LKH-113 0-10 bar)	9612-3892-08	9612-3892-08	9612-3892-08	9612-3892-08
	1	Back plate (LKH-113/P 10-40 bar)	9612-3892-14	9612-3892-14	9612-3892-14	9612-3892-14
32Δ○	3	O-ring, EPDM (standard)	9611-99-2744	9611-99-2744	9611-99-2744	9611-99-2744
	3	O-ring, NBR	9611-99-2745	9611-99-2745	9611-99-2745	9611-99-2745
	3	O-ring, FPM	9611-99-2746	9611-99-2746	9611-99-2746	9611-99-2746
35	1	Spacing ring	9612-3625-01	9612-3625-01	9612-3625-01	9612-3625-01
38	1	Rotating seal housing	9612-3624-01	9612-3624-01	9612-3624-01	9612-3624-01
40	1	Impeller	9612-3604-01	9612-3604-01	9612-3604-01	9612-3604-01
41Δ○	3	O-ring, EPDM (standard)	9611-99-2750	9611-99-2750	9611-99-2750	9611-99-2750
	3	O-ring, NBR	9611-99-2751	9611-99-2751	9611-99-2751	9611-99-2751
	3	O-ring, FPM	9611-99-2752	9611-99-2752	9611-99-2752	9611-99-2752
42	1	Pump casing, IDF	9612-3889-01	9612-3889-01	9612-3889-01	9612-3889-01
	1	Pump casing, SMS	9612-3889-02	9612-3889-02	9612-3889-02	9612-3889-02
	1	Pump casing, DIN	9612-3889-03	9612-3889-03	9612-3889-03	9612-3889-03
	1	Pump casing, ISO	9612-3889-04	9612-3889-04	9612-3889-04	9612-3889-04
	1	Pump casing, BS	9612-3889-05	9612-3889-05	9612-3889-05	9612-3889-05
	1	Pump casing, flange DN40	9612-3894-01	9612-3894-01	9612-3894-01	9612-3894-01
43Δ○	2	O-ring, EPDM (standard)	9611-99-2747	9611-99-2747	9611-99-2747	9611-99-2747
	2	O-ring, NBR	9611-99-2748	9611-99-2748	9611-99-2748	9611-99-2748
	2	O-ring, FPM	9611-99-2749	9611-99-2749	9611-99-2749	9611-99-2749
44	2	Guide vanes	9612-3613-01	9612-3613-01	9612-3613-01	9612-3613-01
45	2	Impeller	9612-3605-01	9612-3605-01	9612-3605-01	9612-3605-01
46	1	Intermediate casing	9612-3610-01	9612-3610-01	9612-3610-01	9612-3610-01
47	1	Impeller screw	9612-3627-01	9612-3627-01	9612-3627-01	9612-3627-01
48	6	Bolt	9612-3635-02	9612-3635-02	9612-3635-02	9612-3635-02
49	1	Pump cover, IDF	9612-3893-01	9612-3893-01	9612-3893-01	9612-3893-01
	1	Pump cover, SMS	9612-3893-02	9612-3893-02	9612-3893-02	9612-3893-02
	1	Pump cover, DIN	9612-3893-03	9612-3893-03	9612-3893-03	9612-3893-03
	1	Pump cover, ISO	9612-3893-04	9612-3893-04	9612-3893-04	9612-3893-04
	1	Pump cover, BS	9612-3893-05	9612-3893-05	9612-3893-05	9612-3893-05
	1	Pump cover, flange DN50	9612-3895-01	9612-3895-01	9612-3895-01	9612-3895-01
Legs						
50	4	Nut	9611-99-0353	9611-99-0353	9611-99-0353	9611-99-0587
51	4	Spring washer	9611-99-1887	9611-99-1887	9611-99-1887	9611-99-0676
52	4	Leg	9612-3967-01	9612-3967-01	9612-3967-01	9612-3967-01
53	4	Screw (Period 9711-)	9611-99-1126	9611-99-1126	9611-99-1126	9611-99-1126
	4	Screw (Period -9711)	9611-99-1907	9611-99-1907	9611-99-1907	9611-99-1907
54	1	Support bar, left	9612-1323-05	9612-1323-05	9612-1323-06	9612-1323-03
55	1	Support bar, right	9612-1322-05	9612-1322-05	9612-1322-06	9612-1322-03
56	4	Nut	9611-99-0587			
57	4	Washer	9611-99-0786	9611-99-0786	9611-99-0786	9611-99-0706
58	4	Screw	9611-99-1374	9611-99-1911	9611-99-1911	9611-99-1834

(Same drawing as on page 6)



TD 214-065

Pos.	Qty.	Denomination	3 kW	4 kW	5.5 kW	7.5 kW
1	1	Motor 220/240 VD	31801-1984-1	9612-4028-07	9612-4028-15	9612-4028-30
	1	Motor 380/420 VD	31801-1984-2	9612-4028-09	9612-4028-17	9612-4028-32
	1	*Special motor 220/240 VD		9612-4189-07	9612-4189-09	9612-4189-11
	1	*Special motor 380/420 VD		9612-4189-08	9612-4189-10	9612-4189-12
2	1	Shroud complete	9612-1390-02	9612-1390-03	9612-1390-08	9612-1390-08
3	1	Edge list (Included in pos. 2)	9612-1338-02	9612-1338-03	9612-1338-04	9612-1338-04

* For system pressure 10-40 bar.

Pos.	Qty.	Denomination	11 kW	15 kW	18.5 kW
1	1	Motor 220/240 VD	31801-0122-1	31801-1194-1	9612-3454-13
	1	Motor 380/420 VD	31801-0122-3	31801-1194-3	9612-3454-14
	1	*Special motor 220/240 VD	9612-4189-13	9612-4189-15	9612-4189-17
	1	*Special motor 380/420 VD	9612-4189-14	9612-4189-16	9612-4189-18
2	1	Shroud complete	9612-1390-05	9612-1390-05	9612-1390-05
3	1	Edge list (Included in pos. 2)	9612-1338-05	9612-1338-05	9612-1338-05

* For system pressure 10-40 bar.

Service kit for single shaft seal

- Δ Service kit, EPDM.....9611-92-2102
- Δ Service kit, NBR.....9611-92-2103
- Δ Service kit, FPM.....9611-92-2104

Service kit for flushed shaft seal

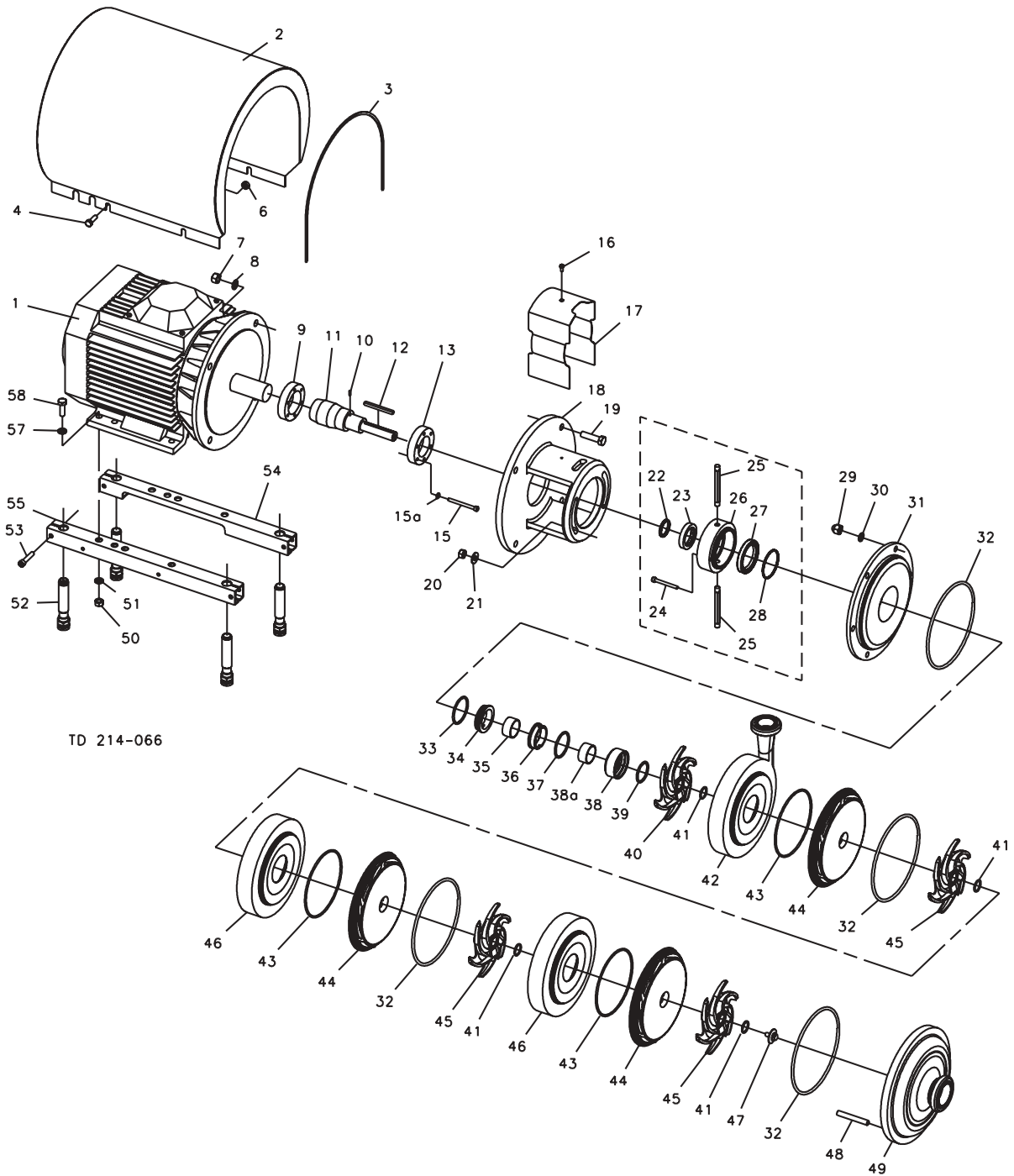
- Service kit, EPDM.....9611-92-2105
- Service kit, NBR.....9611-92-2106
- Service kit, FPM.....9611-92-2107

Parts marked with Δ/○ are included in the service kits.

Conversion kit single to flushed shaftseal 9611-92-2138 = Pos. 22+23+24+25+26+27+28

Recommended Spare Parts: Service kits.

900023/0



TD 214-066

Pos.	Qty.	Denomination	5.5-7.5 kW	11-18.5 kW			
4	4	Screw	9611-99-3240	9611-99-3241			
6	4	Spacing sleeve	9611-99-2737	31438-0390-2			
7	4	Nut for adaptor	9611-99-0587	9611-99-2160			
8	4	Washer for adaptor	9611-99-0676	9611-99-1886			
9	1	Compression ring with thread	9612-1336-05	9612-1336-03			
10	1	Connex pin for flushed shaft seal	9611-99-0622	9611-99-0622			
11	1	Shaft for single shaft seal	9612-3620-03	9612-3621-03			
	1	Shaft with pin (pos.10) for flushed shaft seal	9612-3620-06	9612-3621-06			
12	1	Key	9611-99-2758	9611-99-2758			
13	1	Compression ring without thread	9612-1337-05	9612-1337-03			
15	6	Screw	9611-99-3197	9611-99-3198			
15a	6	Washer	9611-99-3199	9611-99-3199			
16	1	Screw for adaptor guard	9611-99-3239	9611-99-3239			
17	1	Adaptor guard	9612-1311-07	9612-1311-08			
18	1	Adaptor	9612-3425-01	9612-3426-01			
19	4	Screw for adaptor	9611-99-2162	9611-99-2163			
20	2	Nut	9611-99-0353	9611-99-0353			
21	2	Washer	9611-99-2559	9611-99-2559			
29	6	Cap nut	9611-99-2593	9611-99-2593			
30	6	Washer	9611-99-1887	9611-99-1887			
31	1	Back plate (LKH-114 0-10 bar)	9612-3892-08	9612-3892-08			
	1	Back plate (LKH-114/P 10-40 bar)	9612-3892-14	9612-3892-14			
32ΔO	4	O-ring, EPDM (standard)	9611-99-2744	9611-99-2744			
	4	O-ring, NBR	9611-99-2745	9611-99-2745			
	4	O-ring, FPM	9611-99-2746	9611-99-2746			
35	1	Spacing ring	9612-3625-01	9612-3625-01			
38	1	Rotating seal housing	9612-3624-01	9612-3624-01			
40	1	Impeller	9612-3604-01	9612-3604-01			
41ΔO	4	O-ring, EPDM (standard)	9611-99-2750	9611-99-2750			
	4	O-ring, NBR	9611-99-2751	9611-99-2751			
	4	O-ring, FPM	9611-99-2752	9611-99-2752			
42	1	Pump casing, IDF	9612-3889-01	9612-3889-01			
	1	Pump casing, SMS	9612-3889-02	9612-3889-02			
	1	Pump casing, DIN	9612-3889-03	9612-3889-03			
	1	Pump casing, ISO	9612-3889-04	9612-3889-04			
	1	Pump casing, BS	9612-3889-05	9612-3889-05			
	1	Pump casing, flange DN40	9612-3894-01	9612-3894-01			
43ΔO	3	O-ring, EPDM (standard)	9611-99-2747	9611-99-2747			
	3	O-ring, NBR	9611-99-2748	9611-99-2748			
	3	O-ring, FPM	9611-99-2749	9611-99-2749			
44	3	Guide vanes	9612-3613-01	9612-3613-01			
45	3	Impeller	9612-3605-01	9612-3605-01			
46	2	Intermediate casing	9612-3610-01	9612-3610-01			
47	1	Impeller screw	9612-3627-01	9612-3627-01			
48	6	Bolt	9612-3635-03	9612-3635-03			
49	1	Pump cover, IDF	9612-3893-01	9612-3893-01			
	1	Pump cover, SMS	9612-3893-02	9612-3893-02			
	1	Pump cover, DIN	9612-3893-03	9612-3893-03			
	1	Pump cover, ISO	9612-3893-04	9612-3893-04			
	1	Pump cover, BS	9612-3893-05	9612-3893-05			
	1	Pump cover, flange DN50	9612-3895-01	9612-3895-01			
Legs							
50	4	Nut	9611-99-0353	9611-99-0587			
51	4	Spring washer	9611-99-1887	9611-99-0676			
52	4	Leg	9612-3967-01	9612-3967-01			
53	4	Screw (Period 9711-)	9611-99-1126	9611-99-1126			
	4	Screw (Period -9711)	9611-99-1907	9611-99-1907			
54	1	Support bar, left	9612-1323-06	9612-1323-03			
55	1	Support bar, right	9612-1322-06	9612-1322-03			
57	4	Washer	9611-99-0786	9611-99-0706			
58	4	Screw	9611-99-1911	9611-99-1834			
Pos.	Qty.	Denomination	5.5 kW	7.5 kW	11 kW	15 kW	18.5 kW
1	1	Motor 220/240 VΔ	9612-4028-15	9612-4028-30	31801-0122-1	31801-1194-1	9612-3454-13
	1	Motor 380/420 VΔ	9612-4028-17	9612-4028-32	31801-0122-3	31801-1194-3	9612-3454-14
	1	*Special motor 220/240 VΔ	9612-4189-09	9612-4189-11	9612-4189-13	9612-4189-15	9612-4189-17
	1	*Special motor 380/420 VΔ	9612-4189-10	9612-4189-12	9612-4189-14	9612-4189-16	9612-4189-18
2	1	Shroud complete	9612-1390-08	9612-1390-08	9612-1390-05	9612-1390-05	9612-1390-05
3	1	Edge list (Included in pos. 2)	9612-1338-04	9612-1338-04	9612-1338-05	9612-1338-05	9612-1338-05

* For system pressure 10-40 bar.

Recommended Spare Parts: **Service kits.**

Service kit for single shaft seal

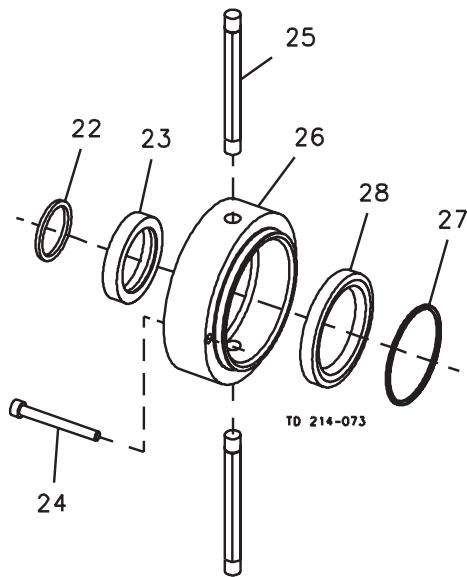
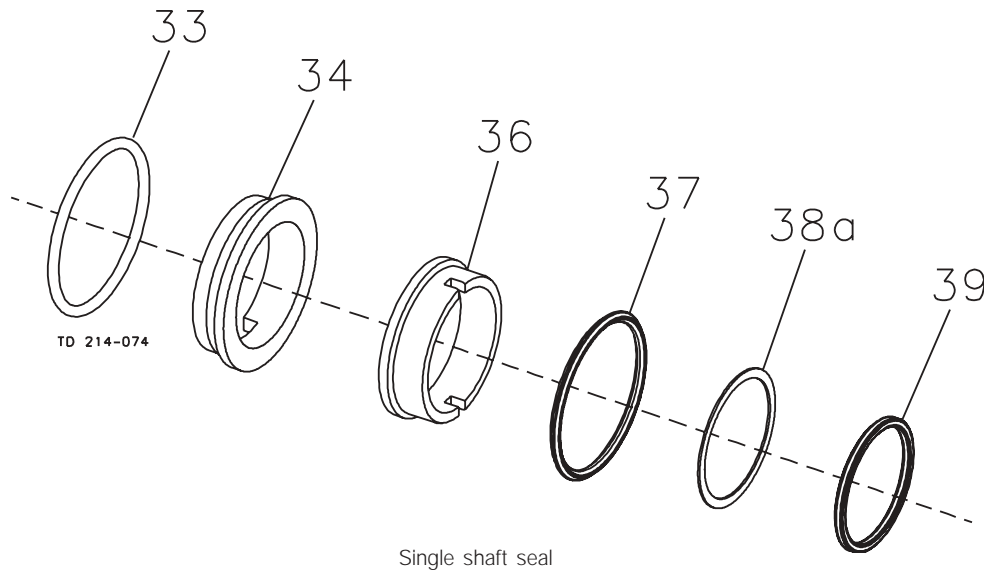
- Δ Service kit, EPDM
- Δ Service kit, NBR
- Δ Service kit, FPM

Service kit for flushed shaft seal

- O Service kit, EPDM....
- O Service kit, NBR.....
- O Service kit, FPM.....

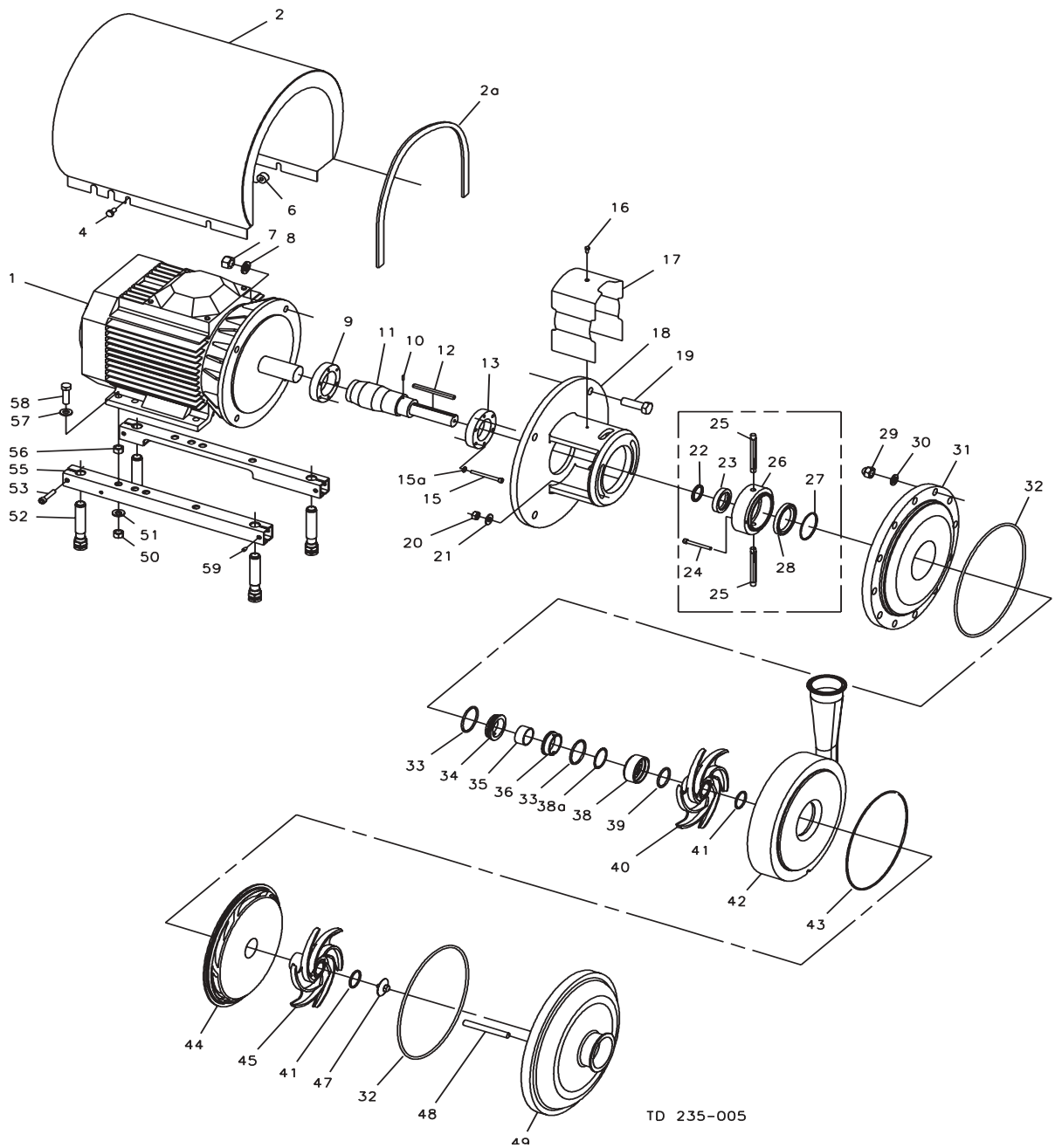
Parts marked with Δ/O are incl. in the service kits.

Conversion kit single to flushed shaft seal
9611-92-2138 = Pos. 22+23+24+25+26+27+28



Pos.	Qty.	Denomination	5.5-18.5 kW	Pos.	Qty.	Denomination	5.5-18.5 kW
Parts for flushed shaft seal				Alternatives			
22	1	O-ring, EPDM	9611-99-2754	Shaft seal complete EPDM (standard).... 9612-3622-04			
23	1	Sleeve	9612-3629-01	33	1	O-ring, EPDM	9611-99-2727
24	2	Screw	9611-99-0203	34	1	Stationary seal ring, Sic.....	9612-3633-01
25	2	Tube	9612-3589-01	36	1	Rotating seal ring, Sic.	9612-3634-02
26	1	Seal housing for flushed seal	9612-3626-01	37	1	Quad ring, EPDM	9611-99-2730
27	1	O-ring, EPDM	9611-99-2753	38a	1	Support ring, PTFE	9612-4571-01
28	1	Lip seal	9611-99-2860	39	1	Quad ring, EPDM	9611-99-2733
 				Shaft seal complete NBR 9612-3622-05			
ΔO	Shaft seal complete EPDM (standard) 9612-3622-01			33	1	O-ring, NBR	9611-99-2728
33	1	O-ring, EPDM	9611-99-2727	34	1	Stationary seal ring, Sic.....	9612-3633-01
34	1	Stationary seal ring, Sic.....	9612-3633-01	36	1	Rotating seal ring, Sic.	9612-3634-02
36	1	Rotating seal ring, Carbon	9612-3634-01	37	1	Quad ring, NBR	9611-99-2731
37	1	Quad ring, EPDM	9611-99-2730	38a	1	Support ring, PTFE	9612-4571-01
38a	1	Support ring, PTFE	9612-4571-01	39	1	Quad ring, NBR	9611-99-2734
39	1	Quad ring, EPDM	9611-99-2733	Shaft seal complete FPM 9612-3622-06			
ΔO	Shaft seal complete NBR 9612-3622-02			33	1	O-ring, FPM	9611-99-2729
33	1	O-ring, NBR	9611-99-2728	34	1	Stationary seal ring, Sic.....	9612-3633-01
34	1	Stationary seal ring, Sic.....	9612-3633-01	36	1	Rotating seal ring, Sic.	9612-3634-02
36	1	Rotating seal ring, Carbon	9612-3634-01	37	1	Quad ring, FPM	9611-99-2732
37	1	Quad ring, NBR	9611-99-2731	38a	1	Support ring, PTFE	9612-4571-01
38a	1	Support ring, PTFE	9612-4571-01	39	1	Quad ring, FPM	9611-99-2735
39	1	Quad ring, NBR	9611-99-2734	Shaft seal complete FPM 9612-3622-03			
ΔO	Shaft seal complete FPM 9612-3622-03			33	1	O-ring, FPM	9611-99-2729
33	1	O-ring, FPM	9611-99-2729	34	1	Stationary seal ring, Sic.....	9612-3633-01
34	1	Stationary seal ring, Sic.....	9612-3633-01	36	1	Rotating seal ring, Carbon	9612-3634-01
36	1	Rotating seal ring, Carbon	9612-3634-01	37	1	Quad ring, FPM	9611-99-2732
37	1	Quad ring, FPM	9611-99-2732	38a	1	Support ring, PTFE	9612-4571-01
38a	1	Support ring, PTFE	9612-4571-01	39	1	Quad ring, FPM	9611-99-2735
39	1	Quad ring, FPM	9611-99-2735				

900200/0



Pos.	Qty.	Denomination	30-45 kW
4	4	Screw	9611-99-3243
6	4	Distance sleeve	31438-0390-3
7	4	Nut for adaptor	9611-99-2160
8	4	Washer for adaptor	9611-99-1886
9	1	Compression ring with thread	9612-1336-07
10	1	Connex pin	9611-99-0622
11	1	Shaft and pin (pos 10)	9612-5921-01
12	1	Key	9611-99-3476
13	1	Compression ring without thread	9612-1337-07
15	6	Screw	9611-99-3198
15a	6	Washer	9611-99-3199
16	1	Screw for safety guard	9611-99-3239
17	1	Safety guard	9612-1311-08
18	1	Adaptor	9612-3427-01
19	4	Screw for adaptor	9611-99-2164
20	4	Nut	9611-99-0353
21	4	Washer	9611-99-2559
29	11	Cap nut	9611-99-3685
30	11	Washer	9611-99-3684
31	1	Back plate	9612-3892-24
32◆○	2	O-ring, EPDM (standard)	9611-99-3574
	2	O-ring, NBR	9611-99-3575
	2	O-ring, FPM	9611-99-3576
35	1	Spacing ring	9612-3625-03
38	1	Rotating seal housing	9612-6045-01
40	1	Impeller LKH-120P	9612-5906-04
41◆○	2	O-ring, EPDM (standard)	9611-99-3578
	2	O-ring, NBR	9611-99-3579
	2	O-ring, FPM	9611-99-3580
42	1	Pump casing, flange	9612-5923-01
	1	Pump casing, clamp	9612-5923-02
43◆○	1	O-ring, EPDM (standard)	9611-99-3582
	1	O-ring, NBR	9611-99-3583
	1	O-ring, FPM	9611-99-3584
44	1	Guide vanes	9612-5903-02
45	1	Impeller LKH-120P	9612-5906-03
47	1	Impeller screw	9612-5913-04
	1	Impeller screw (period -0211)	9612-5913-01
48	11	Bolt	9612-3635-06
49	1	Pump cover, flange	9612-5924-01
	1	Pump cover, clamp	9612-5924-02
Legs			
50	4	Nut	9611-99-0587
51	4	Spring washer	9611-99-0676
52	4	Leg	9612-3967-01
53	4	Screw	9611-99-1907
54	1	Support bar, left	9612-3422-01
55	1	Support bar, right	9612-3422-01
57	4	Washer	9611-99-0706
58	4	Screw	9611-99-3680
59	4	Pivot screw	9611-99-1763

Parts marked with ◆○ are included in the service kits.

Pos.	Qty.	Denomination	30kW	37kW	45kW
1	1	Special Motor ¹⁾	9612-6055-20	9612-6055-22	9612-6055-24
		Special Motor ²⁾	9612-6055-19	9612-6055-21	9612-6055-23
2	1	Shroud complete	9612-5938-01	9612-5938-01	9612-5938-01
2a	1	Edge list (included in pos. 2)			

¹⁾ 3~, 50Hz, 380-420VD/660-690VY - Standard
 3~, 50Hz, 220-240VD/380-420VY - Option

²⁾ 3~, 60Hz, 440-480VD - Standard
 3~, 60Hz, 250-280VD/440-480VY - Option

Tool

63	Tool	9612-9278-01
----	------------	--------------

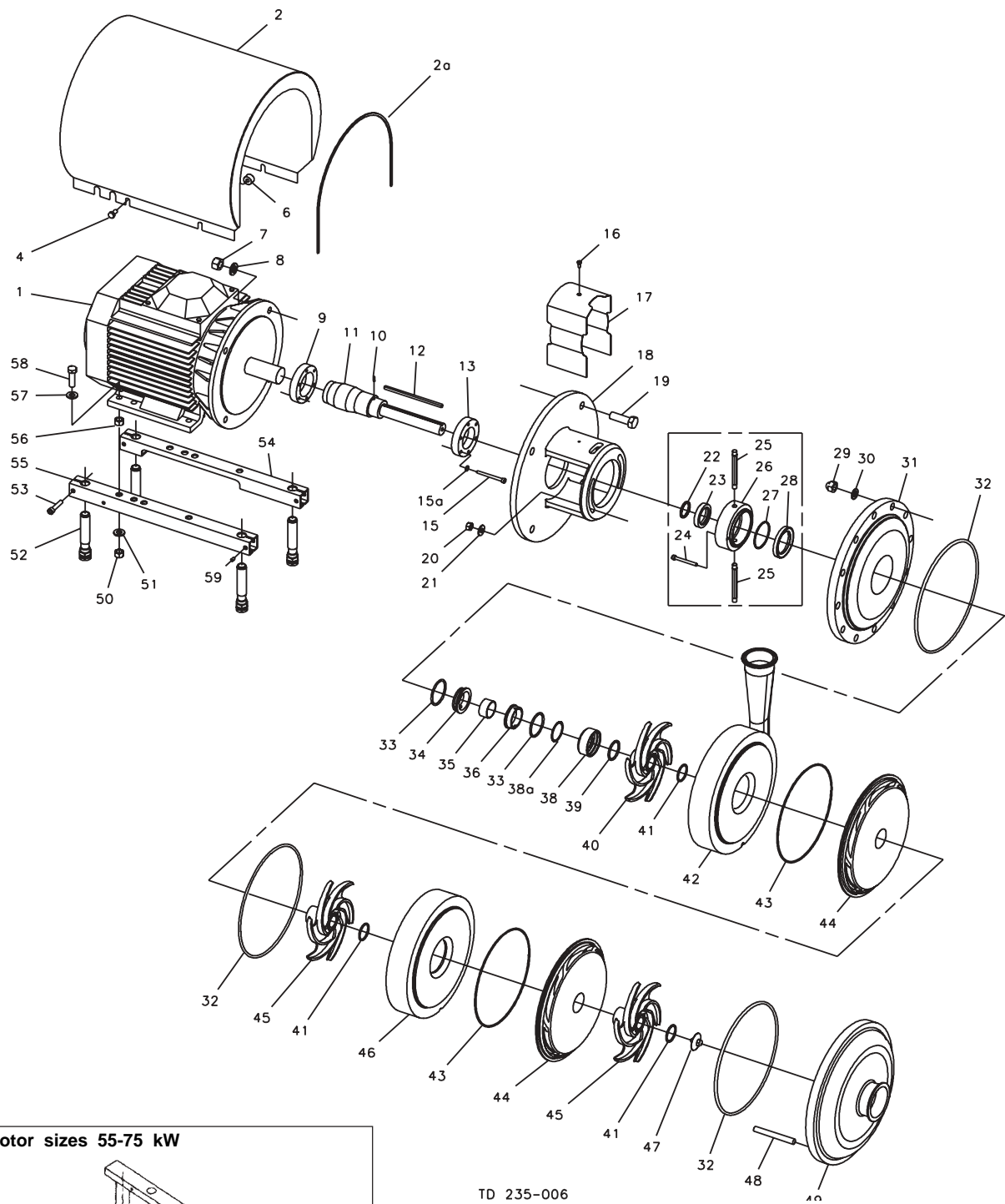
Service kit for single shaft seal

- ◆ Service kit, EPDM
- ◆ Service kit, NBR
- ◆ Service kit, FPM

Service kit for flushed shaft seal

- Service kit, EPDM
- Service kit, NBR
- Service kit, FPM

Conversion kit single to flushed shaft seal
 9611-92-2415 = Pos. 22+23+24+25+26+27+28
Recommended Spare Parts: Service kits



Pos.	Qty.	Denomination	30-45 kW	55-75 kW
4	4	Screw	9611-99-3243	9611-99-3243
6	4	Distance sleeve	31438-0390-3	
7	4	Nut for adaptor	9611-99-2160	9611-99-2160
8	4	Washer for adaptor	9611-99-1886	9611-99-1886
9	1	Compression ring with thread	9612-1336-07	9612-1336-08
10	1	Connex pin	9611-99-0622	9611-99-0622
11	1	Shaft and pin (pos 10)	9612-5921-02	9612-5922-02
12	1	Key	9611-99-2758	9611-99-2758
13	1	Compression ring without thread	9612-1337-07	9612-1337-08
15	6	Screw	9611-99-3198	9611-99-3266
15a	6	Washer	9611-99-3199	9611-99-3199
16	1	Screw for safety guard	9611-99-3239	9611-99-3239
17	1	Safety guard	9612-1311-08	9612-5912-02
18	1	Adaptor	9612-3427-01	9612-5915-01
19	4	Screw for adaptor	9611-99-2164	9611-99-2200
20	4	Nut	9611-99-0353	9611-99-0353
21	4	Washer	9611-99-2559	9611-99-2559
29	11	Cap nut	9611-99-3685	9611-99-3685
30	11	Washer	9611-99-3684	9611-99-3684
31	1	Back plate	9612-3892-24	9612-3892-24
32◆○	3	O-ring, EPDM (standard)	9611-99-3574	9611-99-3574
	3	O-ring, NBR	9611-99-3575	9611-99-3575
	3	O-ring, FPM	9611-99-3576	9611-99-3576
35	1	Spacing ring	9612-3625-03	9612-3625-03
38	1	Rotating seal housing	9612-6045-01	9612-6045-01
40	1	Impeller LKH-120P	9612-5906-04	9612-5906-04
41◆○	3	O-ring, EPDM (standard)	9611-99-3578	9611-99-3578
	3	O-ring, NBR	9611-99-3579	9611-99-3579
	3	O-ring, FPM	9611-99-3580	9611-99-3580
42	1	Pump casing, flange	9612-5923-01	9612-5923-01
	1	Pump casing, clamp	9612-5923-02	9612-5923-02
43◆○	2	O-ring, EPDM (standard)	9611-99-3582	9611-99-3582
	2	O-ring, NBR	9611-99-3583	9611-99-3583
	2	O-ring, FPM	9611-99-3584	9611-99-3584
44	2	Guide vanes	9612-5903-02	9612-5903-02
45	2	Impeller LKH-120P	9612-5906-03	9612-5906-03
46	1	Intermediate casing	9612-5909-02	9612-5909-02
47	1	Impeller screw	9612-5913-04	9612-5913-04
	1	Impeller screw (Period -0211)	9612-5913-01	9612-5913-01
Legs				
50	4	Nut	9611-99-0587	9611-99-0935
51	4	Spring washer	9611-99-0676	9611-99-3267
52	4	Leg	9612-3967-01	
53	4	Screw	9611-99-1907	
54	1	Support bar, left	9612-3422-01	
55	1	Support bar, right	9612-3422-01	
57	4	Washer	9611-99-0706	9611-99-3269
58	4	Screw	9611-99-3680	9611-99-3268
59	4	Pivot screw		9611-99-1763
60	2	Leg bracket		9612-5184-01
61	4	Nut for leg		9611-99-3260
62	4	Screw for leg		9612-5185-01

Parts marked with ◆○ are included in the service kits.

Pos.	Qty.	Denomination	30kW	37kW	45kW	55kW	75kW
1	1	Special Motor ¹⁾	9612-6055-20	9612-6055-22	9612-6055-24	9612-6055-26	9612-6055-28
		Special Motor ²⁾	9612-6055-19	9612-6055-21	9612-6055-23	9612-6055-25	9612-6055-27
2	1	Shroud complete	9612-5938-01	9612-5938-01	9612-5938-01	9612-5938-04	9612-5938-04
2a	1	Edge list (included in pos. 2)					

¹⁾3-,50Hz, 380-420VD/660-690VY -Standard
3-,60Hz, 440-480VD -Standard

²⁾3-,50Hz, 220-240VD/380-420VY -Option
3-,60Hz, 250-280VD/440-480VY -Option

Tool

63	Tool	9612-9278-01
----	------------	--------------

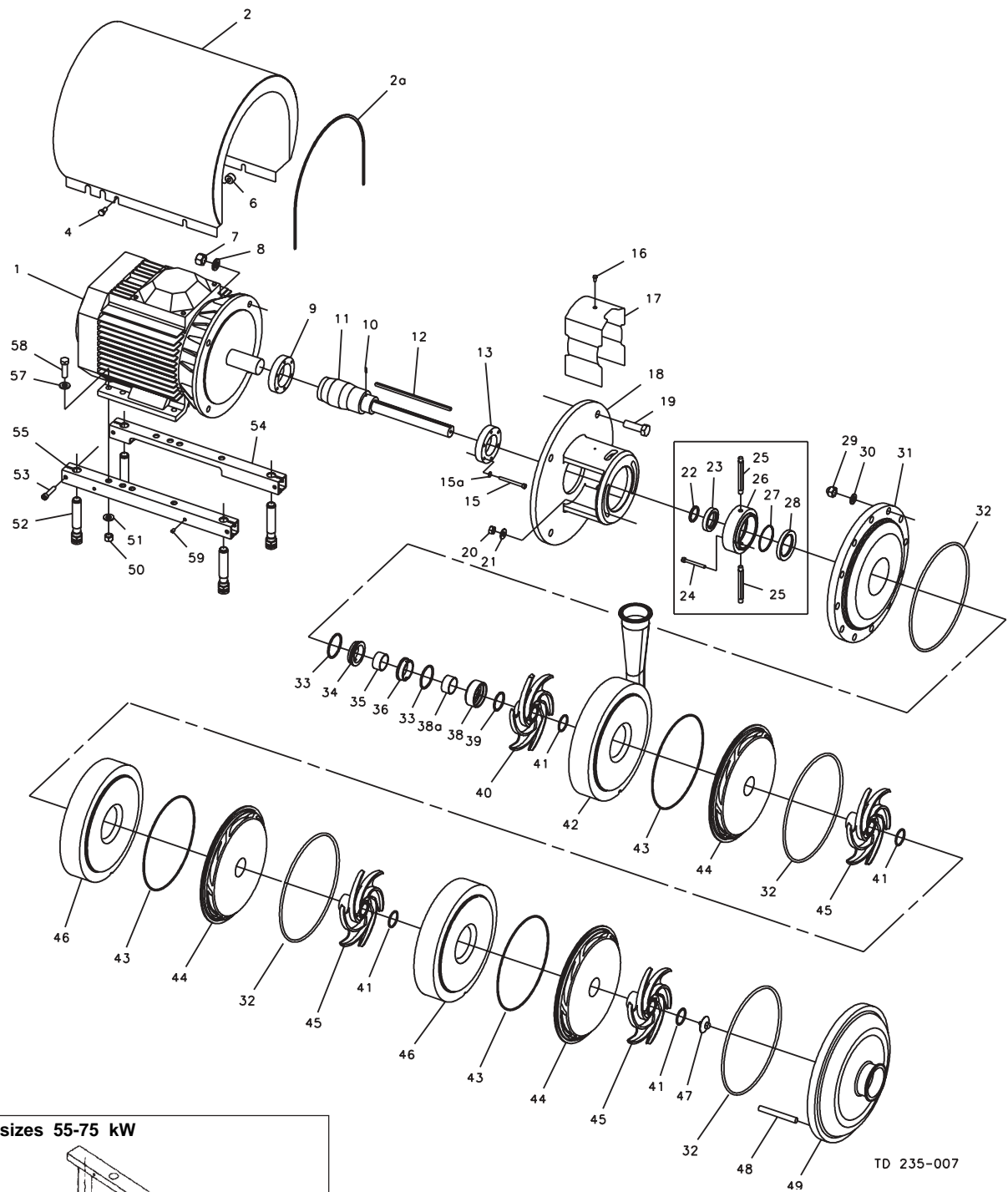
Service kit for single shaft seal

◆	Service kit, EPDM	9611-92-2934
◆	Service kit, NBR	9611-92-2935
◆	Service kit, FPM	9611-92-2936

Service kit for flushed shaft seal

○	Service kit, EPDM	9611-92-2937
○	Service kit, NBR	9611-92-2938
○	Service kit, FPM	9611-92-2939

Conversion kit single to flushed shaft seal 9611-92-2415 =Pos. 22+23+24+25+26+27+28
Recommended Spare Parts: Service kits



Pos.	Qty.	Denomination	30-45 kW	55-75 kW
4	4	Screw	9611-99-3243	9611-99-3243
6	4	Distance sleeve	31438-0390-3	
7	4	Nut for adaptor	9611-99-2160	9611-99-2160
8	4	Washer for adaptor	9611-99-1886	9611-99-1886
9	1	Compression ring with thread	9612-1336-07	9612-1336-08
10	1	Connex pin	9611-99-0622	9611-99-0622
11	1	Shaft and pin (pos 10)	9612-5921-03	9612-5922-03
12	1	Key	9611-99-3474	9611-99-3474
13	1	Compression ring without thread	9612-1337-07	9612-1337-08
15	6	Screw	9611-99-3198	9611-99-3266
15a	6	Washer	9611-99-3199	9611-99-3199
16	1	Screw for safety guard	9611-99-3239	9611-99-3239
17	1	Safety guard	9612-1311-08	9612-5912-02
18	1	Adaptor	9612-3427-01	9612-5915-01
19	4	Screw for adaptor	9611-99-2164	9611-99-2200
20	4	Nut	9611-99-0353	9611-99-0353
21	4	Washer	9611-99-2559	9611-99-2559
29	11	Cap nut	9611-99-3685	9611-99-3685
30	11	Washer	9611-99-3684	9611-99-3684
31	1	Back plate	9612-3892-24	9612-3892-24
32◆○	4	O-ring, EPDM (standard)	9611-99-3574	9611-99-3574
	4	O-ring, NBR	9611-99-3575	9611-99-3575
	4	O-ring, FPM	9611-99-3576	9611-99-3576
35	1	Spacing ring	9612-3625-03	9612-3625-03
38	1	Rotating seal housing	9612-6045-01	9612-6045-01
40	1	Impeller LKH-120P	9612-5906-04	9612-5906-04
41◆○	4	O-ring, EPDM (standard)	9611-99-3578	9611-99-3578
	4	O-ring, NBR	9611-99-3579	9611-99-3579
	4	O-ring, FPM	9611-99-3580	9611-99-3580
42	1	Pump casing, flange	9612-5923-01	9612-5923-01
	1	Pump casing, clamp	9612-5923-02	9612-5923-02
43◆○	3	O-ring, EPDM (standard)	9611-99-3582	9611-99-3582
	3	O-ring, NBR	9611-99-3583	9611-99-3583
	3	O-ring, FPM	9611-99-3584	9611-99-3584
44	3	Guide vanes	9612-5903-02	9612-5903-02
45	3	Impeller LKH-120P	9612-5906-03	9612-5906-03
46	2	Intermediate casing	9612-5909-02	9612-5909-02
47	1	Impeller screw	9612-5913-04	9612-5913-04
	1	Impeller screw (Period -0211)	9612-5913-01	9612-5913-01
48	11	Bolt	9612-3635-08	9612-3635-08
49	1	Pump cover, flange	9612-5924-01	9612-5924-01
	1	Pump cover, clamp	9612-5924-02	9612-5924-02

Legs

50	4	Nut	9611-99-0587	9611-99-0935
51	4	Spring washer	9611-99-0676	9611-99-3267
52	4	Leg	9612-3967-01	
53	4	Screw	9611-99-1907	
54	1	Support bar, left	9612-3422-01	
55	1	Support bar, right	9612-3422-01	
57	4	Washer	9611-99-0706	9611-99-3269
58	4	Screw	9611-99-3680	9611-99-3268
59	4	Pivot screw	9611-99-1763	
60	2	Leg bracket		9612-5184-01
61	4	Nut for leg		9611-99-3260
62	4	Screw for leg		9612-5185-01

Pos.	Qty.	Denomination	30kW	37kW	45kW	55kW	75kW
1	1	Special Motor ¹⁾	9612-6055-20	9612-6055-22	9612-6055-24	9612-6055-26	9612-6055-28
		Special Motor ²⁾	9612-6055-19	9612-6055-21	9612-6055-23	9612-6055-25	9612-6055-27
2	1	Shroud complete	9612-5938-01	9612-5938-01	9612-5938-01	9612-5938-04	9612-5938-04
2a	1	Edge list (included in pos. 2)					

¹⁾ 3~, 50Hz, 380-420VD/660-690VY -Standard
²⁾ 3~, 50Hz, 220-240VD/380-420VY -Option
 3~, 60Hz, 440-480VD -Standard
 3~, 60Hz, 250-280VD/440-480VY -Option

Tool

63		Tool	9612-9278-01
----	--	------------	--------------

Service kit for single shaft seal

◆	Service kit, EPDM	9611-92-2940
◆	Service kit, NBR	9611-92-2941
◆	Service kit, FPM	9611-92-2942

Service kit for flushed shaft seal

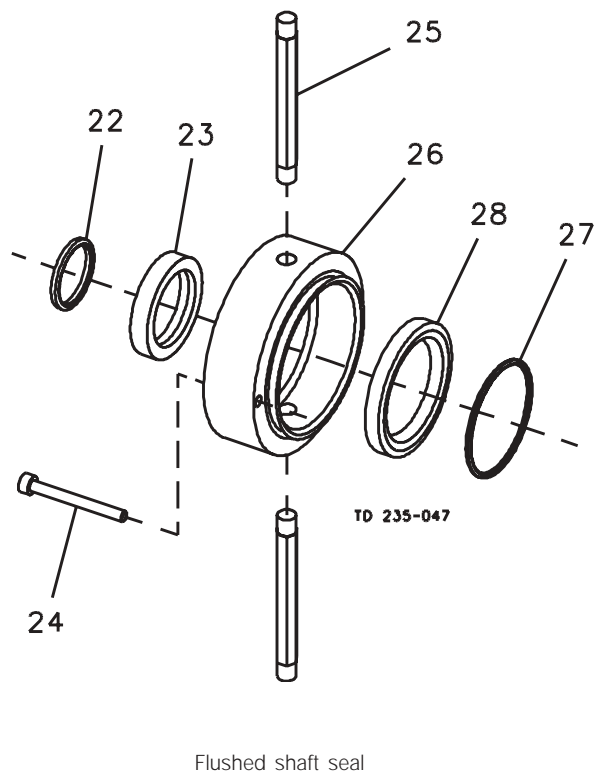
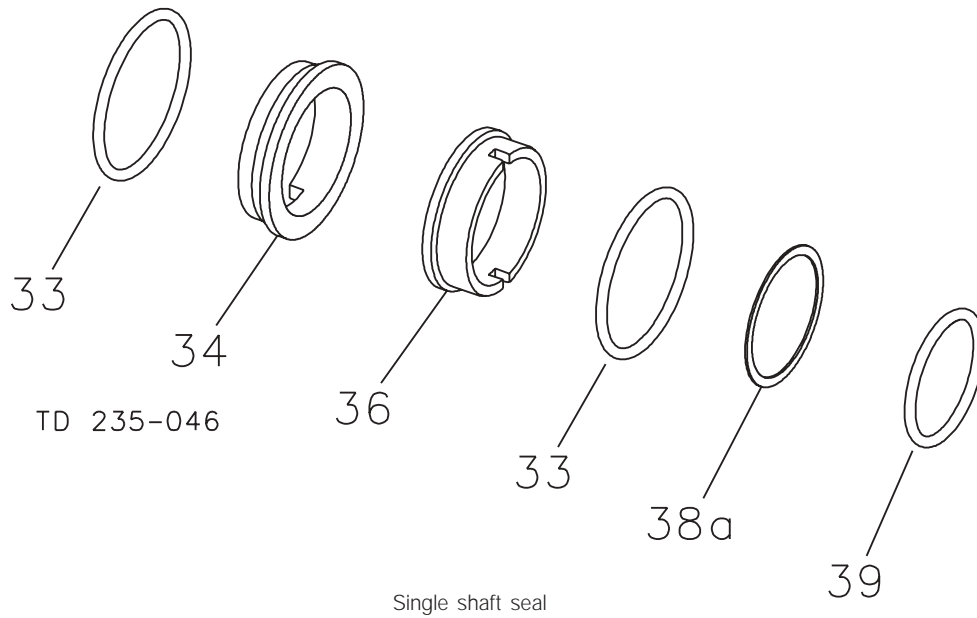
○	Service kit, EPDM	9611-92-2943
○	Service kit, NBR	9611-92-2944
○	Service kit, FPM	9611-92-2945

Parts marked with ◆○ are included in the service kits.

Conversion kit single to flushed shaft seal

9611-92-2415 =Pos. 22+23+24+25+26+27+28

Recommended Spare Parts: Service kits



Pos.	Qty.	Denomination	30-75kW
For flushed shaft seal			
22	1	O-ring, EPDM	9611-99-3586
23	1	Sleeve	9612-3629-03
24	2	Screw	9611-99-4038
25	2	Tube	9612-3589-09
26	1	Seal housing for flushed seal	9612-3626-03
27	1	O-ring, EPDM	9611-99-2753
28	1	Lip seal	9611-99-3587
◆○ Shaft seal complete EPDM (standard)9612-6024-01			
34	1	Stationary seal ring, Sic.	9612-6025-01
36	1	Rotating seal ring, Carbon	9612-6026-01
33	2	O-ring, EPDM	9611-99-3696
38a	1	Support ring	9612-6027-01
39	1	O-ring, EPDM	9611-99-3699
◆○ Shaft seal complete NBR.....9612-6024-02			
34	1	Stationary seal ring, Sic.	9612-6025-01
36	1	Rotating seal ring, Carbon	9612-6026-01
33	2	O-ring, NBR	9611-99-3697
38a	1	Support ring	9612-6027-01
39	1	O-ring, NBR	9611-99-3700
◆○ Shaft seal complete FPM.....9612-6024-03			
34	1	Stationary seal ring, Sic.	9612-6025-01
36	1	Rotating seal ring, Carbon	9612-6026-01
33	2	O-ring, FPM	9611-99-3698
38a	1	Support ring	9612-6027-01
39	1	O-ring, FPM	9611-99-3701

Pos.	Qty.	Denomination	30-75kW
Alternatives			
Shaft seal complete EPDM9612-6024-04			
34	1	Stationary seal ring, Sic.	9612-6025-01
36	1	Rotating seal ring, Sic.	9612-6026-02
33	2	O-ring, EPDM	9611-99-3696
38a	1	Support ring	9612-6027-01
39	1	O-ring, EPDM	9611-99-3699
Shaft seal complete NBR.....9612-6024-05			
34	1	Stationary seal ring, Sic.	9612-6025-01
36	1	Rotating seal ring, Sic.	9612-6026-02
33	2	O-ring, NBR	9611-99-3697
38a	1	Support ring	9612-6027-01
39	1	O-ring, NBR	9611-99-3700
Shaft seal complete FPM.....9612-6024-06			
34	1	Stationary seal ring, Sic.	9612-6025-01
36	1	Rotating seal ring, Sic.	9612-6026-02
33	2	O-ring, FPM	9611-99-3698
38a	1	Support ring	9612-6027-01
39	1	O-ring, FPM	9611-99-3701

900237

How to contact Alfa Laval

Contact details for all countries are continually updated on our website. Please visit www.alfalaval.com to access the information direct.