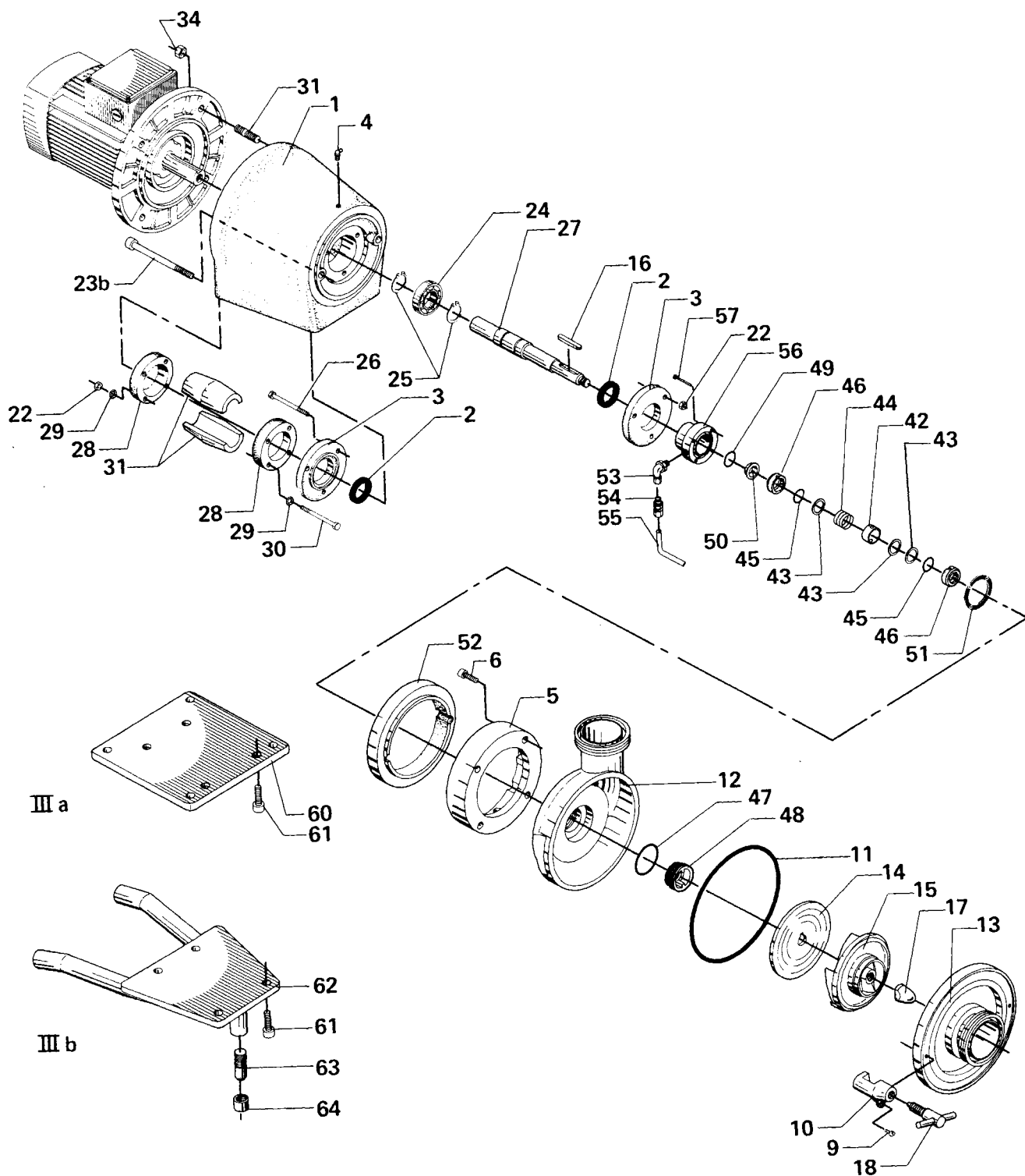


Centrifugal Pump Type ME-155AE



Not manufactured anymore

Reg. 1.23.14	9805
Intro.	8301

Centrifugal Pump Type ME-155AE

Single Shaft Seal

Pos.	Qty.	Denomination	Pos.	Qty.	Denomination
1	1	M2AA motor 4 kW, 220-240/380-420 V.. 9612-4028 -01	18	2	Clamp screw 31452-0097-1
1	1	*MBT motor 4 kW, 220-240/380-420 V... 31801-0076-1	21	1	Thrower 31452-0004-1
1	1	M2AA motor 4 kW, 380-420/660 V 9612-4028 -03	22	3	Nut 2218043-03
1	1	*MBT motor 4 kW, 380-420/660 V 31801-0076-3	23a	2	Screw 2217767-03
1	1	M2AA motor 5.5 kW, 220-240/380-420V 9612-4028 -12	24	1	Ball bearing 64118
1	1	*MBT motor 5.5 kW, 220-240/380-420V 31801-0119-1	25Δ	2	Circlip 223641-15
1	1	M2AA motor 5.5 kW, 380-420/660 V.. 9612-4028-14	26	3	Screw 2210937-07
1	1	*MBT motor 5.5 kW, 380-420/660 V... 31801-0119-3	27	1	Shaft 31452-0009-1
1	1	M2AA motor 7.5 kW, 220-240/380-420V 9612-4028-24	28	2	Ring 114311
1	1	*MBT motor 7.5 kW, 220-240/380-420V 31801-0099-1	29	8	Lock washer 2231111-01
1	1	M2AA motor 7.5 kW,380-420/660 V... 9612-4028 -26	30	4	Screw 2210937-09
1	1	*MBT motor 7.5 kW,380-420/660 V 31801-0099-3	31a	1	Coupling sleeve (2 halves) .. 190321 motor shaft diameter 28 mm (4 kW)
1	1	Frame 31452-0003-2	31b	1	Coupling sleeve (2 halves) .. 190344 motor shaft diameter 38 mm (5.5-7.5 kW)
2Δ	2	Seal ring 526322-03	33	4	Stud bolt 2216261-01
3	2	Bearing cover 31452-0006-1	34	4	Nut 72946
4	1	Grease nipple 74003	60	1	Support plate 31452-0012-1
5	1	Intermediate flange 31452-0010-2	61	4	Screw 2217767-14
6	4	Screw 2217759-04	62	1	Foot stand 31452-0008-1
9	2	Screw 221126-54	63	3	Ajustable foot 31437-0074-1
10	2	Clamp 31438-0205-1	64	3	Lock nuts 31437-0073-1
11Δ	1	Joint ring, EPDM (Standard) 31431-0320-1	Single Shaft Seal		
	1	Joint ring, NBR 104117	EPDM (Standard) NBR		
12	1	Pump casing with sanitary fittings. Connection 76 mm	Δ Shaft seal complete 31452-0104-1 31452-0104-2		
		ISO male 31452-0102-1	42	1	Spacer 31437-0212-1 31437-0212-1
		SMS 31452-0102-2	43	1	Washer 104125 104125
		DIN 31452-0102-3	44	1	Spring 104154 104154
		ISO clamp 31452-0102-4	45	1	O-ring 31439-0168-4 31439-0168-1
		BS 31452-0102-5	46	1	Rotating seal ring 31437-0211-1 31437-0211-1
13	1	Casing cover with sanitary fittings. Connection 76 mm	47	1	O-ring 260104-40 223406-59
		ISO male 31452-0100-1	48	1	Stationary seal ring 31452-0007-1 31452-0007-1
		SMS 31452-0100-2	Δ Service kit. 9611-92-1074 9611-92-1075		
		DIN 31452-0100-3	Parts marked with Δ are included in the Service kits .		
		ISO clamp 31452-0100-4			
		BS 31452-0100-5			
14	1	Impeller cover 116504	Tools		
15**	1	Impeller (ø157 mm) 114535	1	1	Spanner for stationary seal 31438-0335-1 ring
16	1	Key 190411	1	1	Key for hex. socket screw 42342 (3/8")
17	1	Impeller nut 116522	1	1	Key for hex. socket screw 42348 (5/16")

* MBT motor (Period -9310) not available anymore.

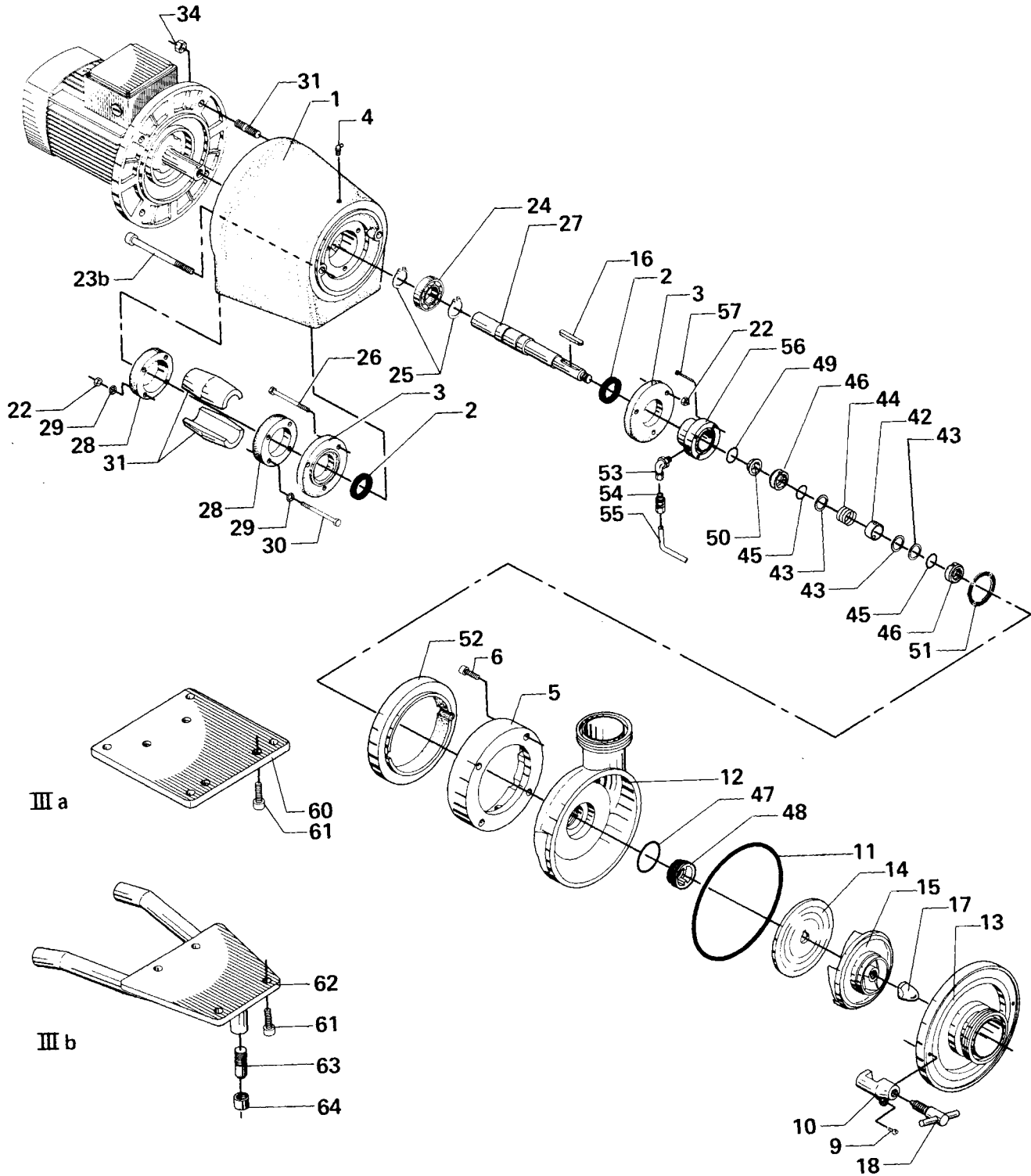
** Sometimes reduced impeller diameter. Check the diameter of original impeller.

Not manufactured anymore

Recommended spare parts: **Service kits**.

Reg. 1.23.14	9805
Intro.	8301

Centrifugal Pump Type ME-155AE



Not manufactured anymore

Reg. 1.23.15	9805
Intro.	8301

