

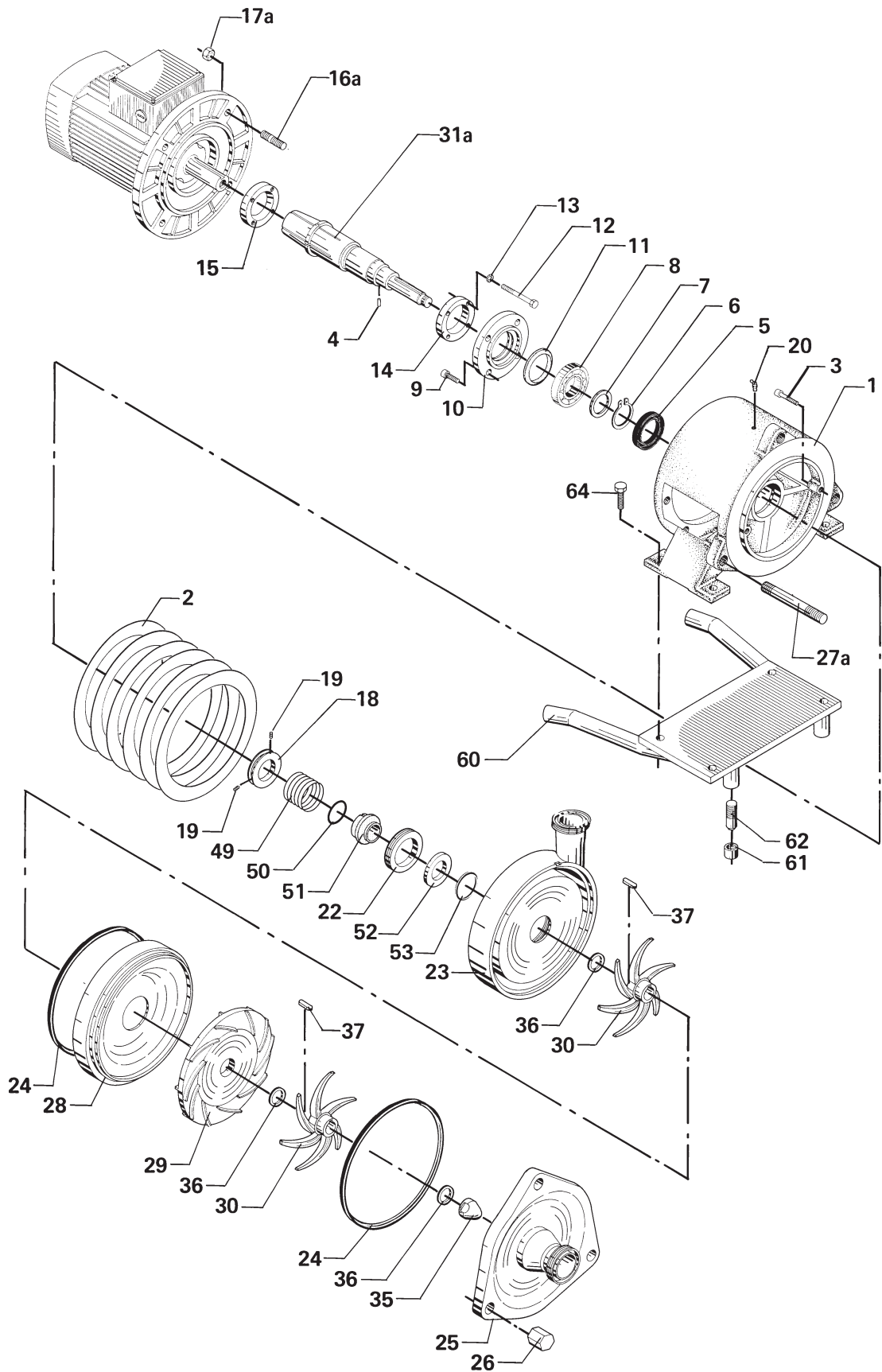
Spare Parts

RM Centrifugal Pump

Centrifugal Pump Type RM-2

Not manufactured anymore

2



Centrifugal Pump Type RM-2

Not manufactured anymore

-7.5 kW Single Shaft Seal

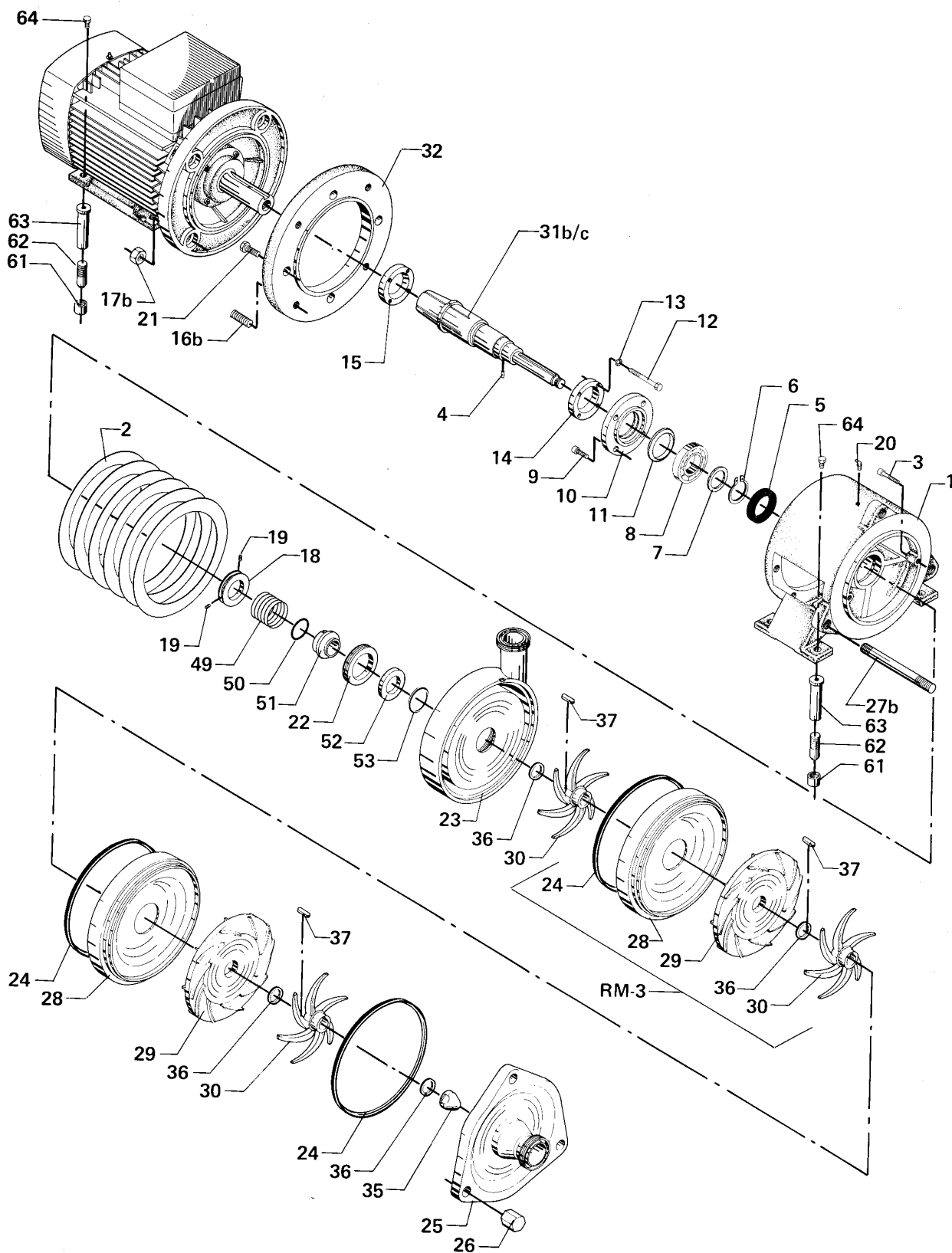
Pos. Qty. Denomination	Pos. Qty. Denomination
1 M2AA motor 7.5 kW, 220-240/380-420 V 9612-4028-24	28 1 Intermediate part 31454-0012-1
1 *MBT motor 7.5 kW, 220-240/380-420 V 31801-0099-1	29 1 Guide vanes 31454-0008-1
1 M2AA motor 7.5 kW, 380-420/420 V 9612-4028-26	30* 2 Impeller, ø200 mm (Standard) 31454-0006-1
1 *MBT motor 7.5 kW, 380-420/420 V 31801-0099-3	2 Impeller, ø 220 mm 31454-0034-1
1 1 Frame 31454-0002-2	31a 1 Shaft for motor shaft 31454-0057-1 ø38 mm (7.5 kW)
2 1 Spacer 31454-0033-1	35 1 Nut 31454-0016-1
3 1 Screw 2217755-08	36Δ 3 Sealing washer 31454-0017-1
4 1 Cylindrical pin 9611-99-1492	37Δ 2 Key 190412
5Δ 2 Sealing ring 526322-02	60 1 Foot stand 31454-0065-2
6Δ 1 Snap ring 74206	61 4 Lock nut 31437-0073-1
7 1 Ring 31454-0025-1	62 4 Adjustable foot 31437-0074-1
8 1 Ball bearing 233217-05	64 4 Screw 2210947-16
9 3 Screw 2217755-25	Δ Single Shaft Seal
10 1 Bearing cover 31454-0014-1	Shaft seal complete, EPDM (Standard) 31454-0090-2
11 Δ 1 Felt strip 32341	49 1 Spring 31454-0091-1
12 4 Screw 2210941-04	50 1 O-ring, EPDM 31454-0092-2
13 4 Lock washer 527314-05	51 1 Rotating seal ring 31454-0089-1
14 1 Ring 31454-0026-1	52 1 Stationary seal ring 31454-0022-1
15 1 Ring 31454-0027-1	53 1 Packing, EPDM 31454-0032-2
16a 4 Stud bolt 2216261-02	Δ Single Shaft Seal
17a 4 Nut 72946	Shaft seal complete, NBR 31454-0090-1
18 1 Thrower 31454-0024-1	49 1 Spring 31454-0091-1
19 2 Set screw 221533-03	50 1 O-ring, NBR 31454-0092-1
20 1 Lubricant nipple 7240	51 1 Rotating seal ring 31454-0089-1
22 1 Lock washer 31454-0023-1	52 1 Stationary seal ring 31454-0022-1
23 1 Pump casing with sanitary fittings. Connections 51 mm	53 1 Packing, NBR 31454-0032-1
ISO male 31454-0004-1	Alternative Seal Rings for abrasive liquids
SMS 31454-0004-2	52 1 Stationary seal ring with 31454-0022-3 silicone carbide
DIN 31454-0004-3	Tools
ISO clamp 31454-0004-4	1 Key for hex. socket screw 42347
BS 31454-0004-5	1 Spanner for seal 31454-0038-1
24 Δ 2 Joint ring, NBR 31454-0019-1	1 Spanner for impeller 42387
25 1 Casing cover with sanitary fittings. Connections 76 mm	Δ Service kit, EPDM. 9611-92-1087
ISO male 31454-0010-1	Δ Service kit, NBR. 9611-92-1088
SMS 31454-0010-2	Parts marked with Δ are included in the Service kits .
DIN 31454-0010-3	Recommended spare parts: Service kits .
ISO clamp 31454-0010-4	
BS 31454-0010-5	
26 3 Nut 110108	
27a 3 Stud bolt 31454-0029-1	

* MBT motor (Period -9310) not available anymore.

** Sometimes reduced impeller dia. Check the dia. of original impeller.

Centrifugal Pump Type RM-2 & RM-3

4



Not manufactured anymore

Centrifugal Pump Type RM-2 & RM-3

11-18.5 kW Single Shaft Seal

Pos. Qty.	Denomination	RM-2/RM-3	Pos. Qty.	Denomination	RM-2	RM-3
1	Motor 11 kW, 220-240/380-420 V	31801-0122-1	27b 3	Stud bolt	31454-0029-1	31454-0030-1
1	Motor 11 kW, 380/660 V 380-420/660 V	31801-0122-3	28 1	Intermediate part	31454-0012-1	31454-0012-1
1	Motor 15 kW, 220-240/380-420 V	31801-1194-1	29 1	Guide vanes	31454-0008-1	31454-0008-1
1	Motor 15 kW, 380-420/660 V	31801-1194-3	30* 2	Impeller, ø200 mm (Standard)	31454-0006-1	31454-0006-1
1	Motor 18.5 kW, 220-240/380-420 V	31801-1867-1	2	Impeller, ø 220 mm	31454-0034-1	31454-0034-1
1	Motor 18.5 kW, 380-420/660 V	31801-1867-3	31b 1	Shaft for motor shaft ø42 mm (11-15 kW)	31454-0056-1	
1	Frame	31454-0002-2	31c 1	Shaft for motor shaft ø42 mm (11-15 kW)		31454-0060-1
2	Spacer	31454-0033-1	32 1	Intermediate flange	31454-0068-1	31454-0068-1
3	Screw	2217755-08	35 1	Nut	31454-0016-1	31454-0016-1
4	Cylindrical pin	9611-99-1492	36Δ 3	Sealing washer	31454-0017-1	31454-0017-1
5Δ 2	Sealing ring	526322-02	37Δ 2	Key	190412	190412
6Δ 1	Snap ring	74206	61 4	Lock nut	31437-0073-1	31437-0073-1
7 1	Ring	31454-0025-1	62 4	Adjustable foot	31437-0074-1	31437-0074-1
8 1	Ball bearing	233217-05	63 4	Leg	31454-0067-2	31454-0067-2
9 3	Screw	2217755-25	64 4	Screw	2210947-16	2210947-16
10 1	Bearing cover	31454-0014-1	* Sometimes reduced impeller dia. Check the dia. of original impeller.			
11Δ 1	Felt strip	32341	Δ Single Shaft Seal (Standard)			
12 4	Screw	2210941-04	Shaft seal complete,			
13 4	Lock washer	527314-05	EPDM			
14 1	Ring	31454-0026-1	49 1	Spring	31454-0090-2	31454-0090-2
15 1	Ring	31454-0027-1	50 1	O-ring, EPDM	31454-0091-1	31454-0091-1
16b 4	Stud bolt	2216261-02	51 1	Rotating seal ring	31454-0092-2	31454-0092-2
17b 4	Nut	72946	52 1	Stationary seal ring	31454-0089-1	31454-0089-1
18 1	Thrower	31454-0024-1	53 1	Packing, EPDM	31454-0022-1	31454-0022-1
19 2	Set screw	221533-03	Alternative Seal Rings for abrasive liquids			
20 1	Lubricant nipple	7240	52 1	Stationary seal ring with silicone carbide	31454-0032-2	31454-0032-2
21 4	Screw	2217767-14	Δ Single Shaft Seal			
22 1	Lock washer	31454-0023-1	Shaft seal complete,			
23 1	Pump casing with sanitary fittings. Connections 51 mm ISO male	31454-0004-1	49 1	Spring	31454-0090-1	31454-0090-1
	SMS	31454-0004-2	50 1	O-ring, NBR	31454-0091-1	31454-0091-1
	DIN	31454-0004-3	51 1	Rotating seal ring	31454-0092-1	31454-0092-1
	ISO clamp	31454-0004-4	52 1	Stationary seal ring	31454-0089-1	31454-0089-1
	BS	31454-0004-5	53 1	Packing, NBR	31454-0022-1	31454-0022-1
24Δ 2	Joint ring, NBR	31454-0019-1	Tools			
25 1	Casing cover with sanitary fittings. Connections 51 mm ISO male	31454-0010-1	1	Key for hex. socket screw	42347	42347
	SMS	31454-0010-2	1	Spanner for seal	31454-0038-1	31454-0038-1
	DIN	31454-0010-3	1	Spanner for impeller	42387	42387
	ISO clamp	31454-0010-4	Δ Service kit, EPDM. 9611-92-1087 9611-92-1087			
	BS	31454-0010-5	Δ Service kit, NBR. 9611-92-1088 9611-92-1088			
26 3	Nut	110108				

Parts marked with Δ are included in the **Service kits**.

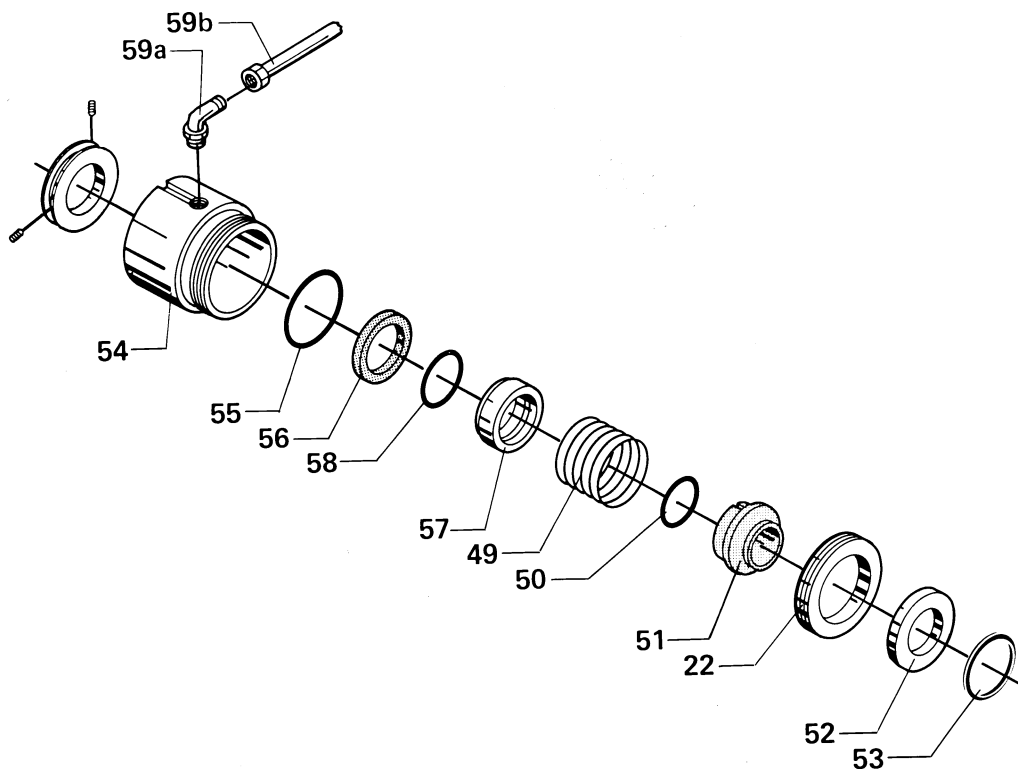
Recommended spare parts: **Service kits**.

Not manufactured anymore

Centrifugal Pump
Type RM-2 & RM-3

Not manufactured anymore

6



Not manufactured anymore

Double Shaft Seal

Pos.	Qty.	Denomination	
Parts for Double Shaft Seal			
22	1	Lock washer	31454-0023-1
54	1	Seal housing	31454-0070-1
59a	2	Tube fitting	2525524-02
59b	2	Copper tube	31439-0122-4
Δ		Shaft seal complete, EPDM	31454-0094-2 (Standard)
49	1	Spring	31454-0077-1
50	1	O-ring, EPDM	9611-99-1775
51	1	Rotating seal ring	31454-0020-1
52	1	Stationary seal ring	31454-0022-1
53	1	Packing, EPDM	31454-0032-2
55	1	O-ring, EPDM	9611-99-0066
56	1	Stationary seal ring	31454-0071-1 (reversible)
57	1	Rotating seal ring	31454-0072-1
58	1	O-ring, EPDM	990014-14
Double Shaft Seal			
Δ		Shaft seal complete, NBR	31454-0094-1
49	1	Spring	31454-0077-1
50	1	O-ring, NBR	223401-57
51	1	Rotating seal ring	31454-0020-1
52	1	Stationary seal ring	31454-0022-1
53	1	Packing, NBR	31454-0032-1
55	1	O-ring, NBR	223406-76
56	1	Stationary seal ring	31454-0071-1 (reversible)
57	1	Rotating seal ring	31454-0072-1
58	1	O-ring, NBR	223406-61
Alternative Seal Rings for Abrasive Liquids			
51	1	Rotating seal ring with	31454-0020-3 silicone carbide
52	1	Stationary seal ring with	31454-0022-3 silicone carbide
Δ		Service kit, EPDM.	9611-92-1089
Δ		Service kit, NBR.	9611-92-1090

Recommended spare parts: **Service kits.**

Sanitary Equipment, Headquarter
Alfa Laval AB
P O Box 73
SE-221 00 LUND, Sweden
Telephone: +46 46 367000
Fax: +46 46 367150
Email: sanitary.equipment@alfalaval.com
www.alfalaval.com

The information contained herein is correct at the time of issue but may be subject to change without prior notice.